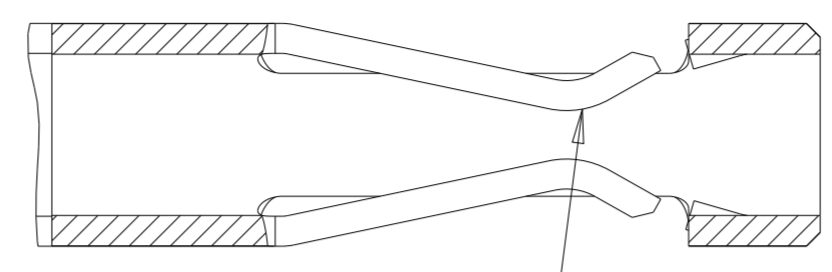
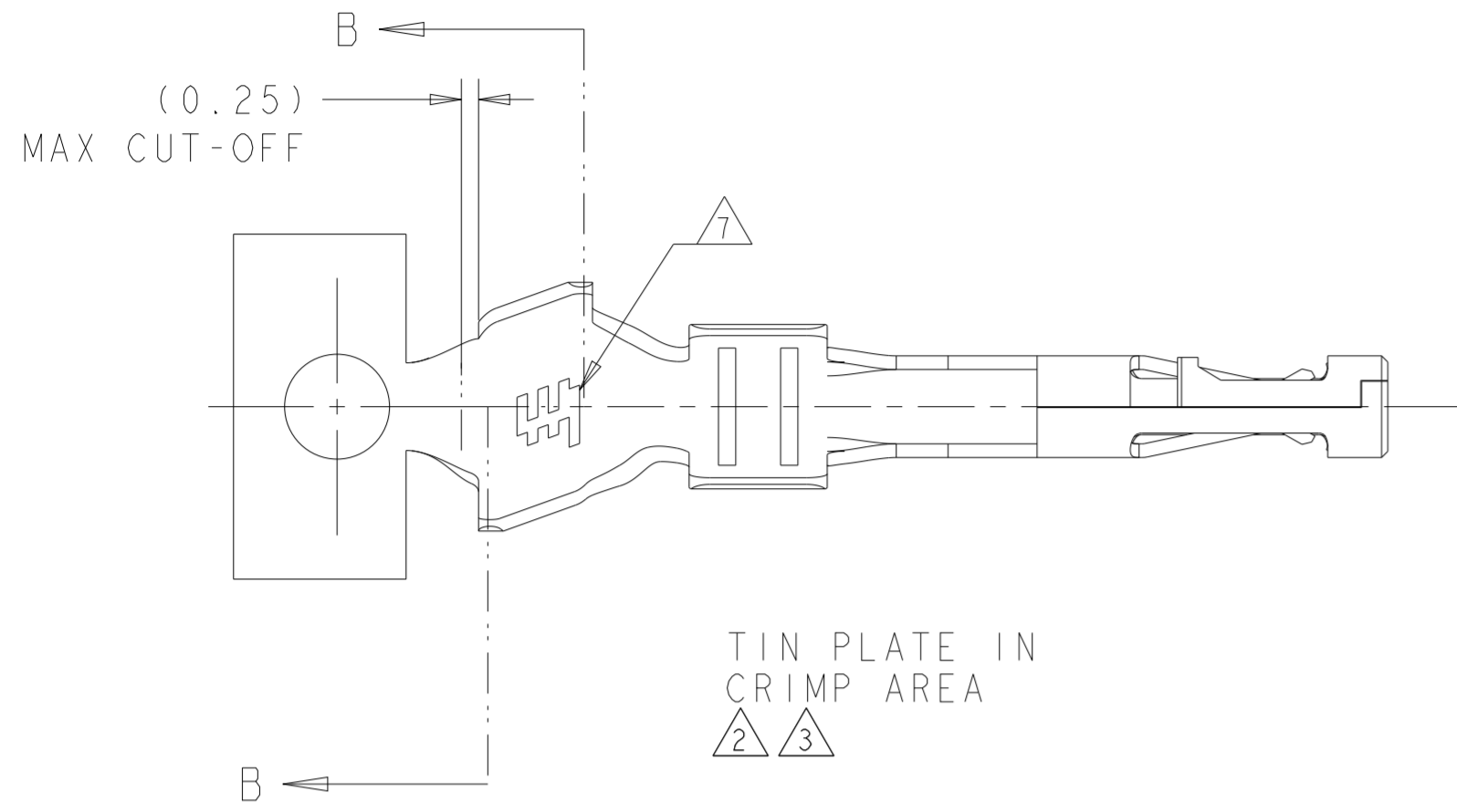


THIS DRAWING IS UNPUBLISHED. RELEASED FOR PUBLICATION 20
 © COPYRIGHT 20 BY TYCO ELECTRONICS CORPORATION. ALL RIGHTS RESERVED.

| LOC | DIST | REVISIONS | | | | | |
|-----|------|-----------|-----|---------------------------|-----------|-----|------|
| CM | 0 | P | LTR | DESCRIPTION | DATE | DWN | APVD |
| | | A | | REVISED PER ECO-09-012256 | 22MAY2009 | HMR | SM |
| | | A1 | | ECO-19-006909 | 03MAY2019 | AP | WS |
| | | A2 | | REVISED PER ECR-21-114419 | 28SEP2021 | WLS | VS |
| | | A3 | | REVISED PER ECN-22-174913 | 16SEP2022 | WLS | VS |



SECTION C-C
SCALE 20:1

△2 △3
GOLD STRIPE TO BE ON THIS SIDE OF MATERIAL IN CONTACT AREA

- △1 PHOSPHOR BRONZE, 0.2 THK REF.
- △2 0.381 μm MIN THK GOLD STRIPE IN CONTACT AREA, 1.27 μm MIN BRIGHT TIN PLATE IN CRIMP AREA, 1.27 μm MIN NICKEL PLATE ALL OVER.
- △3 0.762 μm MIN THK GOLD STRIPE IN CONTACT AREA, 1.27 μm MIN BRIGHT TIN PLATE IN CRIMP AREA, 1.27 μm MIN NICKEL PLATE ALL OVER.

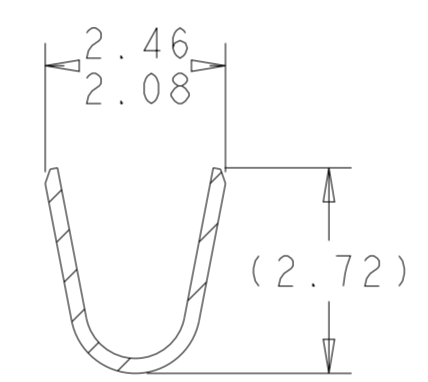
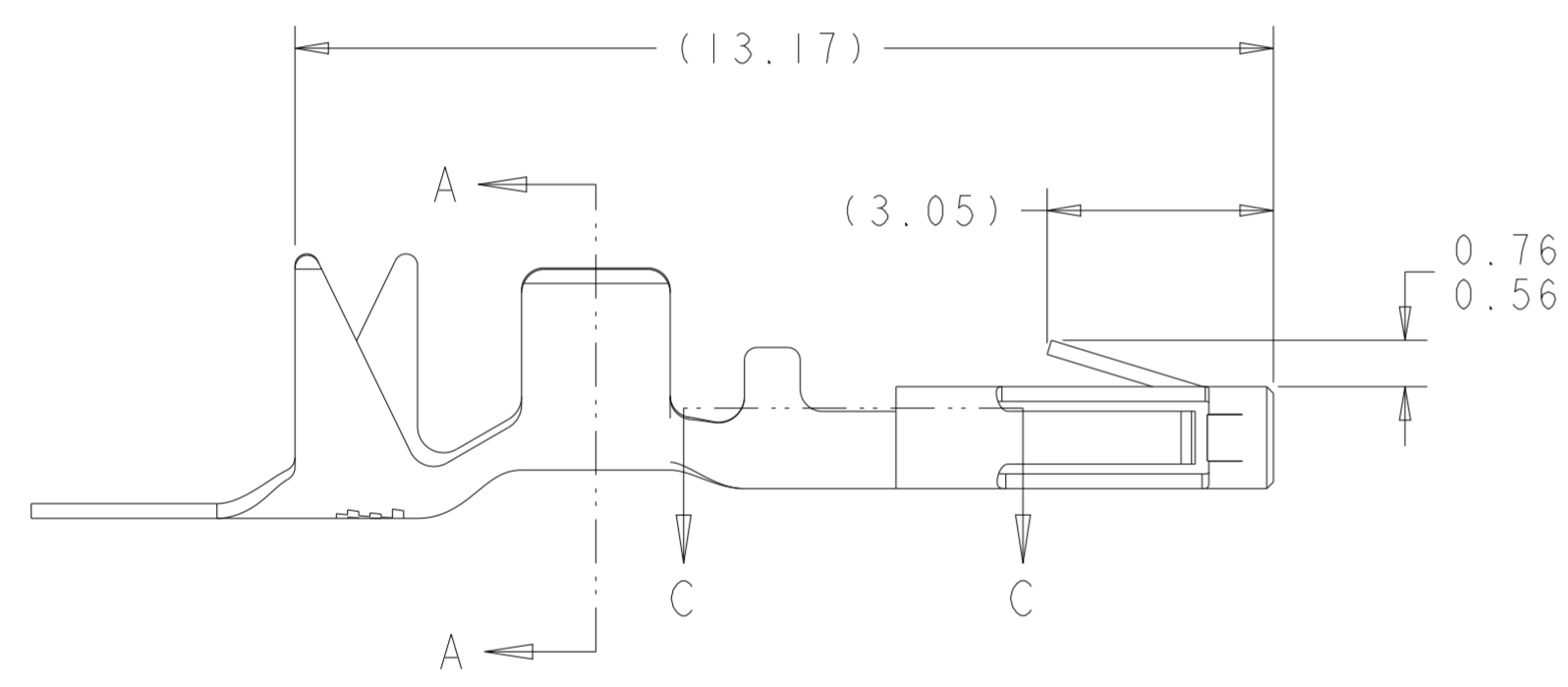
4. WIRE RANGE : 22 - 18 AWG

5. INSULATION RANGE : Ø1.50 - 2.79

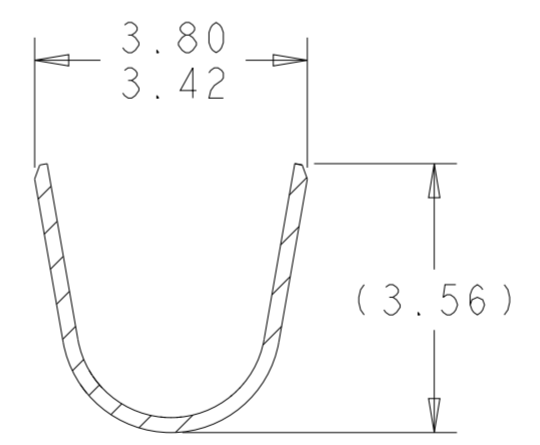
△6 0.8 μm MIN THK BRIGHT TIN PLATE, LUBRICATED.

△7 TYCO ELECTRONICS LOGO LOCATED APPROXIMATELY AS SHOWN.

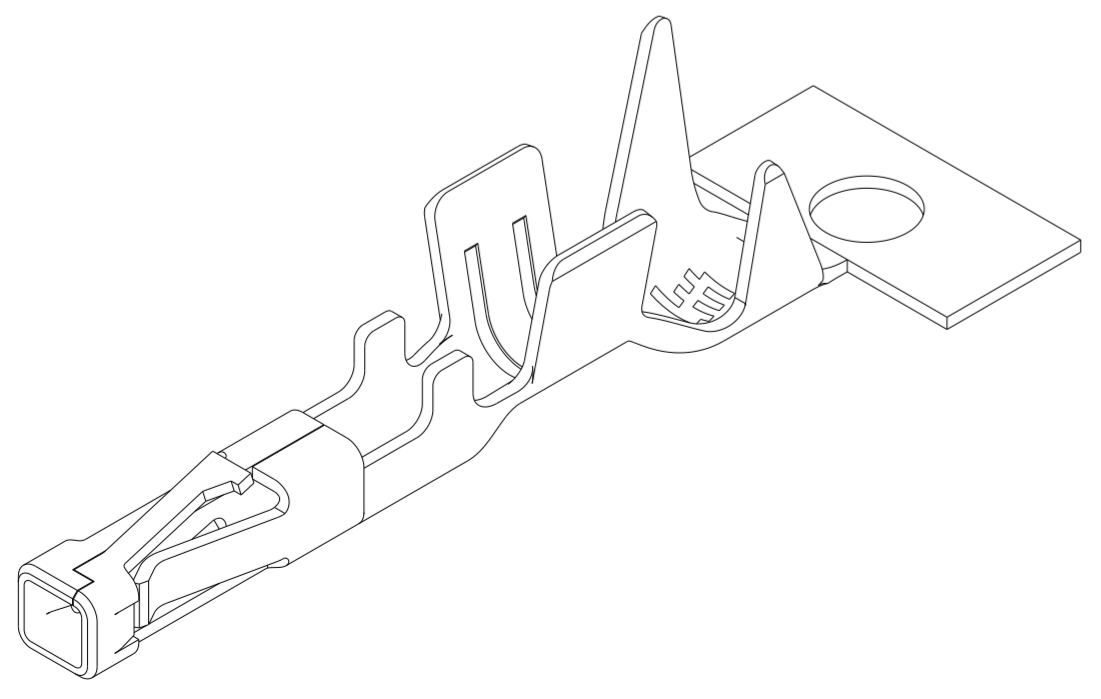
8 THIS TERMINAL IS RECOMMENDED TO BE USED IN THE 18AWG WAYS OF THE CONNECTORS PNS 2008570 AND 2008571 VERSIONS.



SECTION A-A



SECTION B-B



| | |
|--------|-------------|
| △3 | 2008625-3 |
| △2 | 2008625-2 |
| △6 | 2008625-1 |
| FINISH | PART NUMBER |



| | | | | |
|---|--|--------------------------------|--|--------------------|
| THIS DRAWING IS A CONTROLLED DOCUMENT FOR TYCO ELECTRONICS CORPORATION. IT IS SUBJECT TO CHANGE AND THE CONTROLLING ENGINEERING ORGANIZATION SHOULD BE CONTACTED FOR THE LATEST REVISION. | | DWN R BROWN 03APR2008 | Tyco Electronics Harrisburg, PA 17105-3608 | |
| DIMENSIONS: mm | | CHK M McCARTHY 03APR2008 | NAME CONTACT, RECEPTACLE, CRIMP SNAP-IN MICRO MATE-N-LOK(TM) 22-18 AWG | |
| TOLERANCES UNLESS OTHERWISE SPECIFIED: 0 PLC ± 1 PLC ± 2 PLC ±0.13 3 PLC ± 4 PLC ± ANGLES ±° | | APVD C JONES 28MAY2008 | PRODUCT SPEC 108-1836 | |
| MATERIAL △1 - | | APPLICATION SPEC 114-13000 | SIZE A2 | CAGE CODE 00779 |
| SEE NOTES | | WEIGHT - | DRAWING NO C-2008625 | RESTRICTED TO - |
| | | CUSTOMER DRAWING | SCALE 10:1 | SHEET 1 OF 1 |
| | | | REV A3 | |