

5

4

3

2

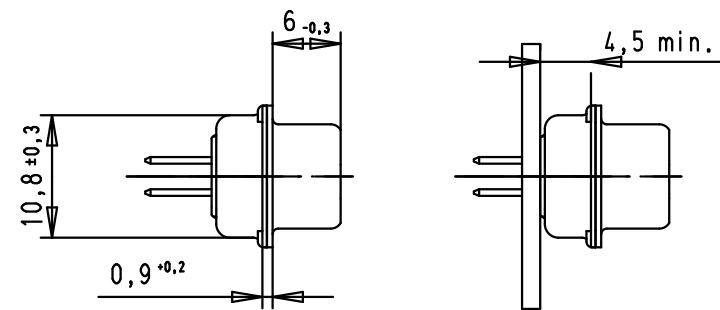
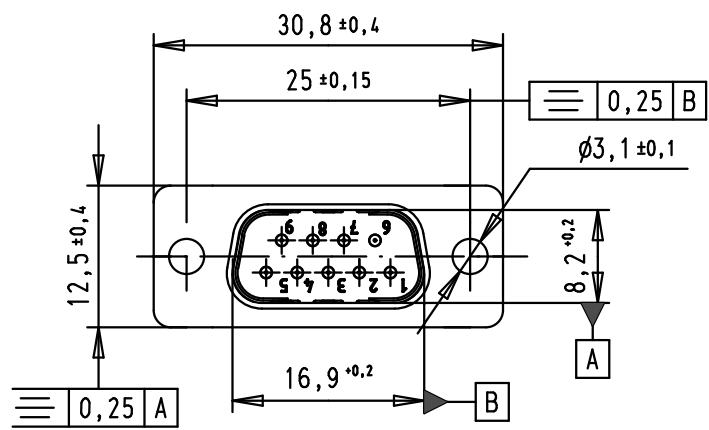
1

D

C

B

A



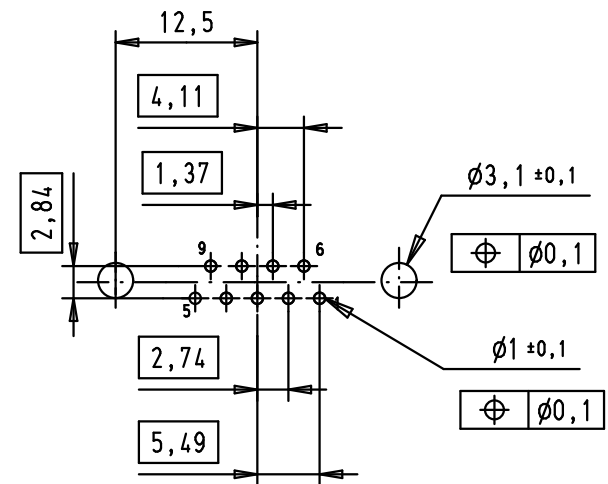
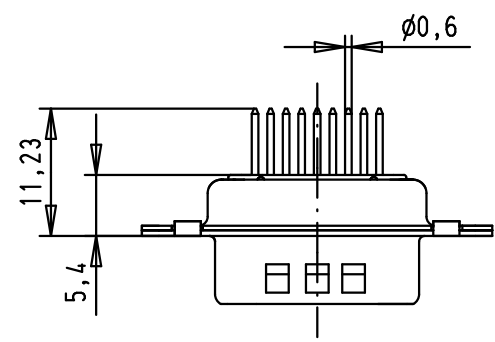
SPECIFICATION

Performance level	PL2
Filter type	C
Capacitance	1000pf±20%
Working Voltage	100V
Current rating	7.5 A
Insulation Resistance	>1GΩ

Minimum Insertion Loss

FREQUENCY (MHz)	ATTENUATION dB
5	1dB
10	3dB
50	12dB
100	20dB
500	34dB
1000	30dB

PCB Layout, Component side



Mod.	Dat.	Name	Detail.	Dat.	Name
				8-JUL-02	CV
36283	09/12/11	SD	Insp.	09/12/11	JB
32802	11/07/05	JMDR	Stand.		
32234	05/10/04	TR			
31058	8-JUL-02	CV			

HARTING EURL
F-95972 Paris



D-Sub, male, straight,
9 Poles, with turned
solder pin and fixing hole

TB 09641227230

Ma?Mstab/
Scale
1.5:1
Blatt/ Page
1 / 1

Sub.