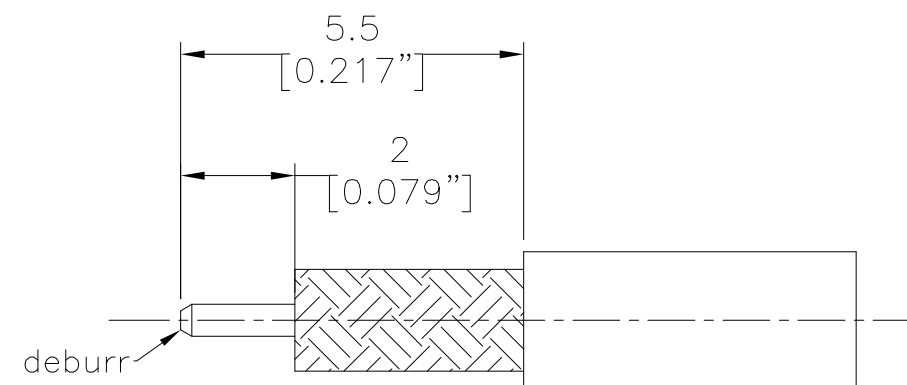
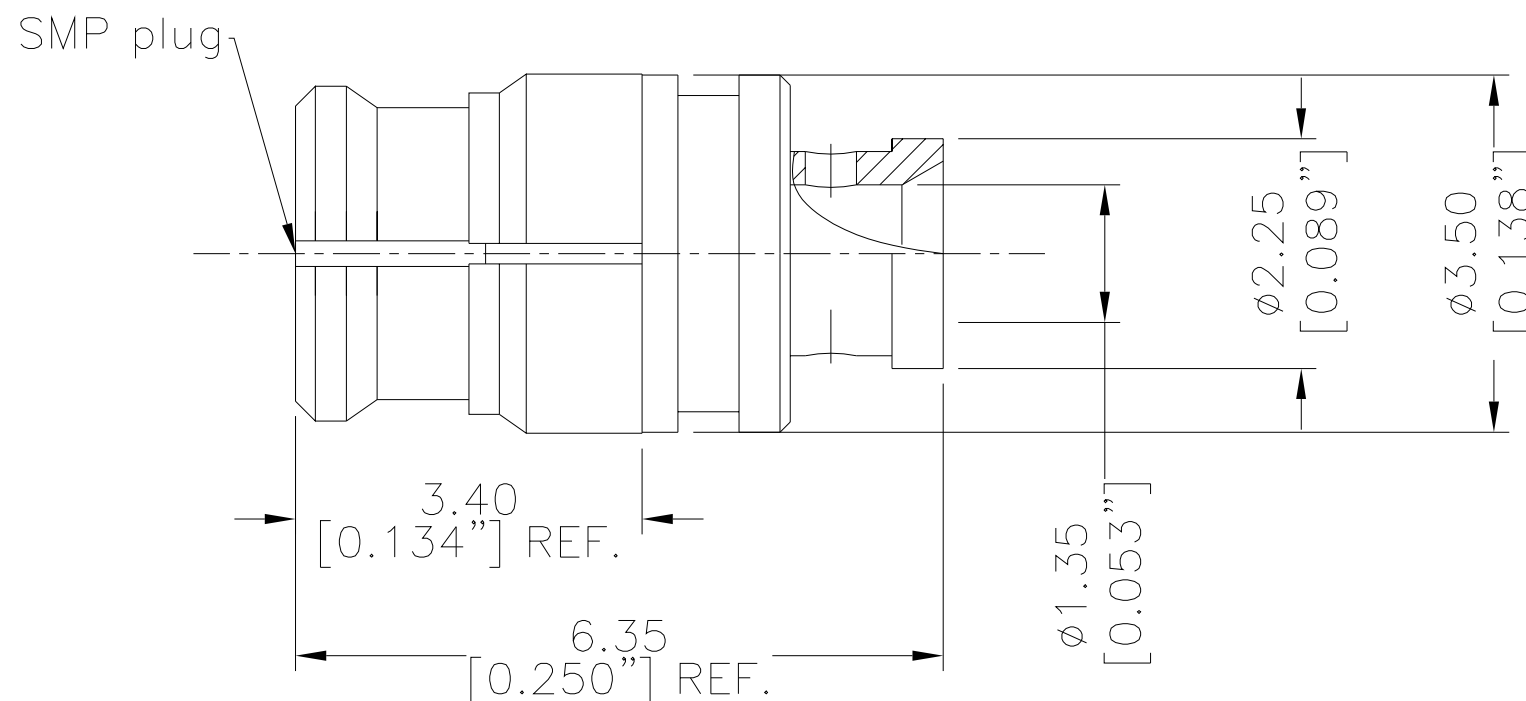


SYM	REVISION DESCRIPTION	DFTM	DATE	APPD	DATE
A	RELEASED FOR PRODUCTION	Patrick	2021/05/19	Tony	2021/05/19



I. MATERIALS & FINISHES

Components	Materials	Finishes	Thk. (μ")
Body	Beryllium Copper	Gold	50
Contact Pin	Beryllium Copper	Gold	50
Insulator	PTFE	--	--
Lock Ring	Beryllium Copper	Gold	50

II. ELECTRICAL PROPERTIES

Impedance:	50 Ω
Frequency Range:	DC to 40 GHz
Dielectric Withstanding Voltage:	500 V rms
Insulation Resistance:	≥5000 MΩ
VSWR:	≤1.50
Insertion Loss:	-0.1x√f(GHz) dB

All Material and Plating of Parts Meet TIMES Document: WI-RD-003

III. ENVIRONMENTAL PROPERTIES

Temperature Range:	-40°C to +125°C
Thermal Shock:	MIL-STD-202, Meth.107, Cond. B
Vibration:	MIL-STD-202, Meth.204, Cond. B
Shock:	MIL-STD-202, Meth.213, Cond. A
Climatic Class:	IEC 60068 55/155/21
RoHS:	Compliant

IV. MECHANICAL PROPERTIES

Center Contact:	Spring Finger
Outer Contact:	Solder
Coupling Nut Torque:	N/A
Cbl-Connector Retention Force:	10 lbs
Durability:	100 Cycles (FD) 500 Cycles (SB)

RECOMMENDED CABLE STRIPPING DIM'S
Connector Adds: 2.8 mm

Interface Compatible with Standard:
IEC 61169-44
MIL-STD-348

V. TOOLINGS & ACCESSORIES

N/A

UNLESS OTHERWISE SPECIFIED		DFTM.	Patrick	 An Amphenol Company						
ALL DIMENSIONS ARE IN mm MACHINED SURFACES FINISH 1.6 RMS MAX. REMOVE ALL BURRS 0.15X45° MAX. BREAK MACHINE CORNERS 0.15X45° D MAX. FILLET R. TOLERANCES ON DECIMALS .X ±0.15 .XX ±0.1 ANGLES ±2° FRACTIONS ± N/A		DATE	2021/05/19							
		CHKD	Monica							
		DATE	2021/05/19							
		APPD	Tony							
SCALE:	DWG SIZE	DO NOT SCALE DRAWING		DATE	2021/05/19	SHT	1/1	3190-6879	REV	A

EZ-PT047-SMPF-DS
SMP Female (Plug) Straight Non-Solder
Pin Direct Solder Connector for PT-047
Cable