

4

3

2

1

THIS DRAWING IS UNPUBLISHED.

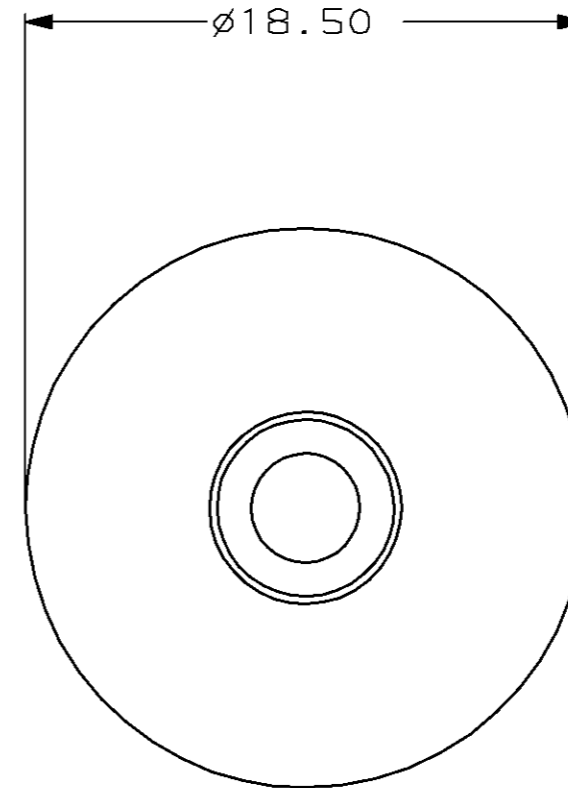
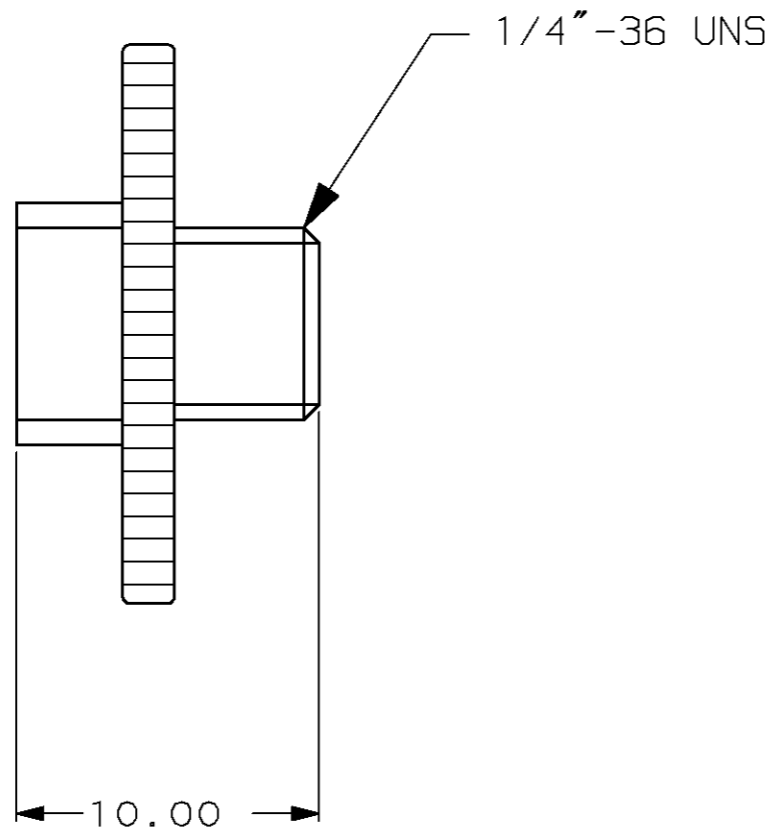
RELEASED FOR PUBLICATION

,19 .

© COPYRIGHT 19

BY AMP INCORPORATED. ALL RIGHTS RESERVED.

LOC	DIST	REVISIONS			
P	LTR	DESCRIPTION	DATE	DWN	APVD
CE	16	A	REVISE PER 0A00-0342-98	18JUN98	JPM SB



1278133-1
PART NUMBER

THIS DRAWING IS A CONTROLLED DOCUMENT.		DWN J.P. MARSHALL 20MAY98	AMP AMP Incorporated Harrisburg, PA 17105-3608	
		CHK J. SABO 20MAY98		
DIMENSIONS: mm		APVD J.P. MARSHALL 20MAY98	NAME FSMA ADAPTER ECONOMY MICROSCOPE	
TOLERANCES UNLESS OTHERWISE SPECIFIED:		PRODUCT SPEC -	RESTRICTED TO -	
0 PLC ±-		APPLICATION SPEC -	SIZE A3	CAGE CODE 00779
1 PLC ±-		WEIGHT -	DRAWING NO C- 1278133	
2 PLC ±-		CUSTOMER DRAWING	SCALE 4:1	SHEET 1 OF 1
3 PLC ±-				REV A
4 PLC ±-				
ANGLES ±-				
MATERIAL -	FINISH -			