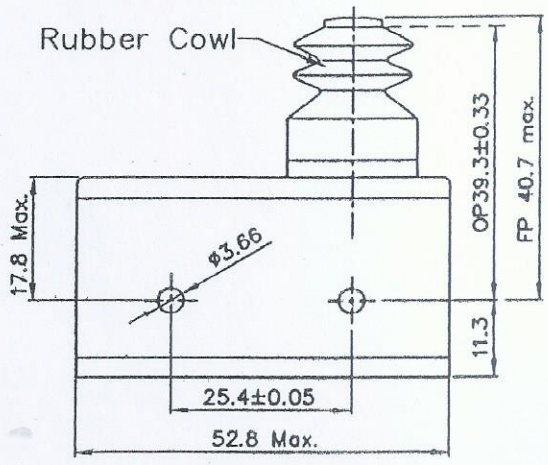


C016



WIDTH 20.5 max.

- Technical specifications :
- Free position (Max.) : 40.7 mm
 - Operating position : 39.3 mm ± 0.33
 - Pretravel (Max.) : 1.4 mm
 - Movement Differential(Max.) : 0.08 mm
 - Overtravel : 4.6 mm
 - Actuating Force (Max.) : 720 gms
 - Release Force(Min.) : 170 gms
 - Actuator : Spring Plunger with cowl protection
 - Mechanism : Single-pole, Changeover
 - Electrical Ratings
 - AC (Resistive) : 15A, 125V or 15A, 250V
 - AC (Inductive) : 5A, 125V or 5A, 250V
 - DC (Resistive) : 0.5A, 125V or 0.25A, 250V
 - DC (Inductive) : 0.03A, 125V or 0.02A, 250V
 - Technical Data
 - Contact resistance : 10 milliohms (max.)
 - Insulation resistance : 1000 megohms (min.)
 - Voltage proof : 1 KV AC for one minute
 - Terminals : Three M3 screws and washers.
 - Electrical life : 50,000 operations
 - Mechanical life : 1 million operations.

CAT. No.: MS-7

ISS.	DATE	MODIFICATION	SIGN.

CB\PRODUCT SCAN\ELECTRICAL\S-Series

<p>TOLERANCES UNLESS OTHERWISE SPECIFIED</p> <p style="font-size: 2em;">±0.1</p>	<p>MICRO SWITCH</p> <p>"S - SERIES"</p> <p>'MS-7'</p>	DIMENSIONS IN MM	
SCALE ~	 <p>ESSEN DEINKI, 22, INDUSTRIAL AREA, PHASE II, CHANDIGARH - 160 002.</p>	DATE	SIGN.
		DESIGN	04.03.11
		DRAWN	04.03.11
		CHKD.	
APPD.			
		DRG. NO.	
		MSCU-101. A4.	
		SHEET 1 OF 1	