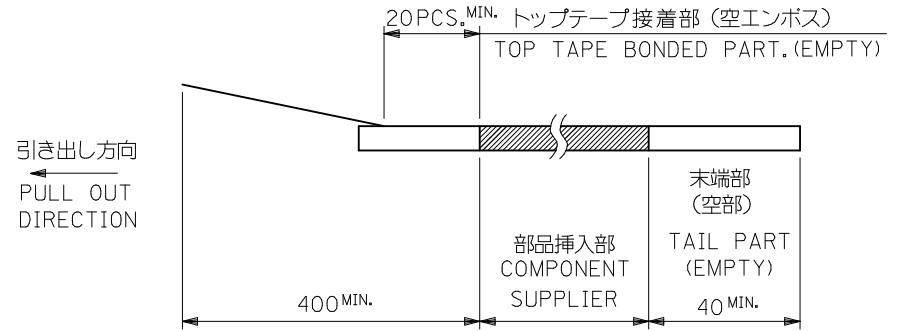


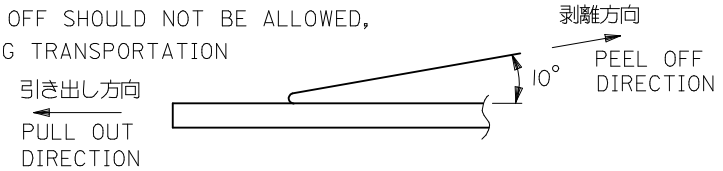
注記 NOTES

- 製品番号 52559-\*\*17 の梱包状態はアクチュエータがロックした状態とする。  
詳細寸法については図面 SD-52559-044 を参照下さい。  
IN THE PACKAGE,ACTUATOR OF PART NO.52559-\*\*17 SHOULD BE LOCKED RE DETAILED DIMENSIONS,SEE SD-52559-044
- 梱包数量：1000個/リール  
NUMBER OF CONNECTORS:1000PCS/REEL
- リードテープ長さ LEAD TAPE LENGTH

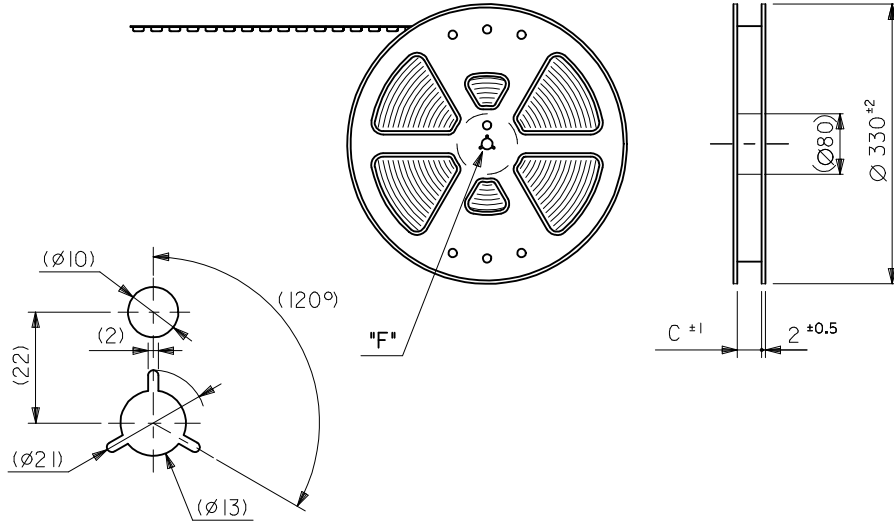


- トップテープの剥離強度：(剥離方向は下図参照)  
0.1N~0.7N(10.2gf~71.4gf)尚、本規格値は、出荷時に適用。  
(但し、輸送時に剥離が発生しない事。)

PEELING OFF FORCE OF TOP TAPE  
0.1N~0.7N(10.2gf~71.4gf)(PEELING DIRECTION AS SHOWN IN FOLLOWING FIG.)  
THIS REQUIREMENT SHOULD BE APPLIED AT SHIPMENT  
PEEL OFF SHOULD NOT BE ALLOWED,  
DURING TRANSPORTATION



引き出し方向  
PULL OUT  
DIRECTION

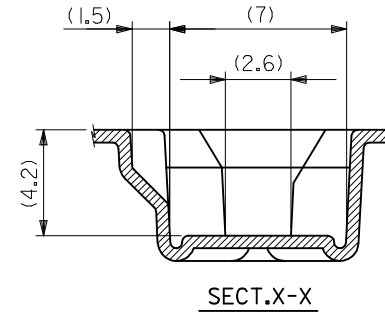
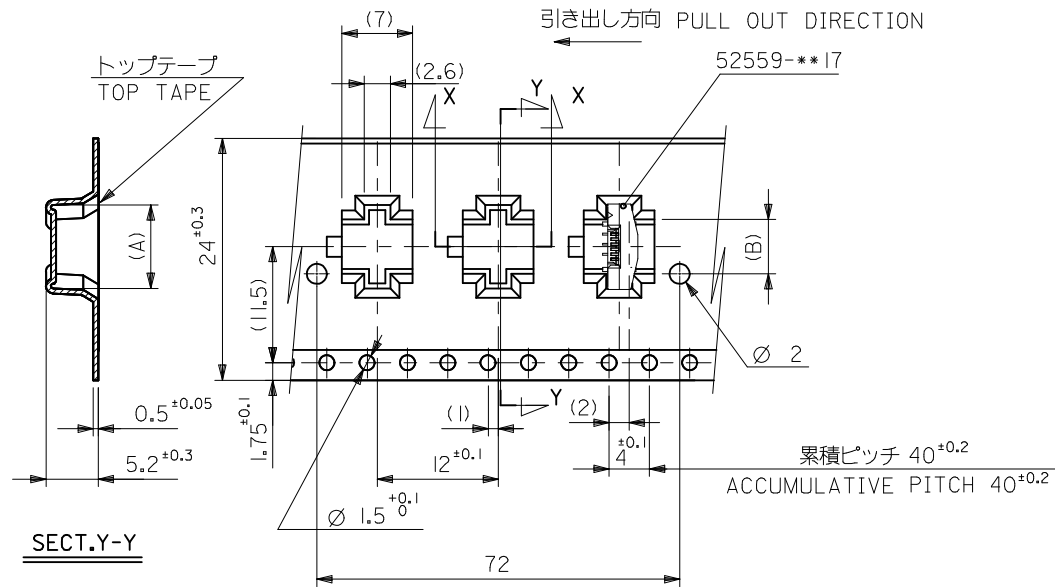


DETAIL "F"

- 材料  
キャリアテープ：ポリプロピレン (PP)  
トップテープ：PET, PE, PEF  
リール：ポリスチレン (PS) <リサイクル材を含む>

MATERIAL CARRIER TAPE:POLYPROPYLENE  
TOP TAPE:PET,PE,PEF  
REEL:POLYSTYREN(PS)  
<RECYCLE MATERIAL CONTAINED>

REVISED EC NO: J2016-0380 DRAWN:SANUMA 2015/10/15 CHKD:KAKAHASHI 2015/10/16 APPR:YNOGAWA 2015/11/09	GENERAL TOLERANCES (UNLESS SPECIFIED)		DIMENSION STYLE MM ONLY		SCALE ---	DESIGN UNITS METRIC	THIRD ANGLE PROJECTION		
	0.25 UNDER	UNDER	±0.03	DRAWN BY M.SHIMIZU	DATE 2000/12/20	TITLE 0.5 FPC CONN ASSY ZIF SMT ST EMBSTP PKG			
	0.25 OVER	0.5 UNDER	±0.05	CHECKED BY	DATE				
	0.5 OVER	1.0 UNDER	±0.1	S.KUNISHI	2000/12/20				
	1.0 OVER	10 UNDER	±0.2	APPROVED BY	DATE				
	10 OVER	30 UNDER	±0.25	M.FUKUSHIMA	2000/12/20				
	30 OVER		±0.3	MATERIAL NO. SEE SHEET 2,3		DOCUMENT NO. SD-52559-054	SHEET NO. 1 OF 3		
	ANGULAR ±3 °			SIZE A3			THIS DRAWING CONTAINS INFORMATION THAT IS PROPRIETARY TO MOLEX INCORPORATED AND SHOULD NOT BE USED WITHOUT WRITTEN PERMISSION		
	DRAFT WHERE APPLICABLE MUST REMAIN WITHIN DIMENSIONS								

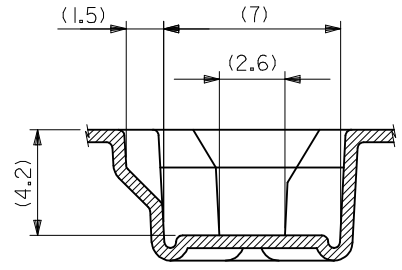
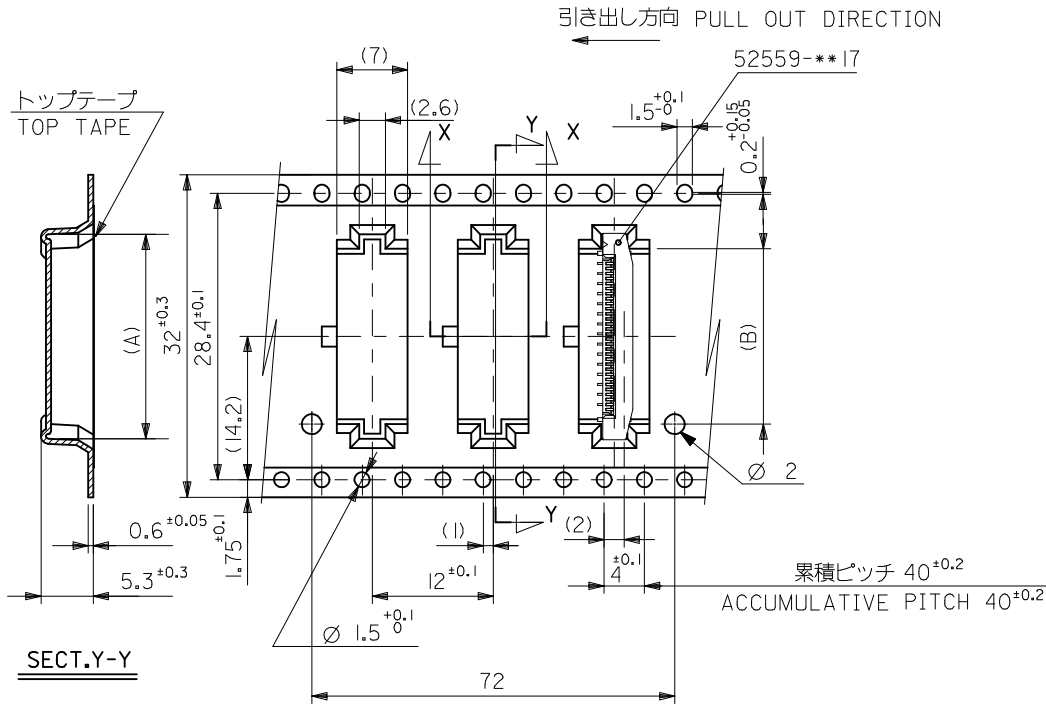


SECT.Y-Y

24mm幅キャリアテープ  
24mm WIDTH CARRIER TAPE

24	25.5	5.4	8.3	52559-0692	6
キャリアテープ幅 CARRIER TAPE WIDTH	C	(B)	(A)	ENG. NO.	極数 CIRCUIT

REVISED EC NO: J2016-0380 DRWN: SANUMA 2015/10/15 CHKD: TAKAHASHI 2015/10/16 APPR: YNOGAWA 2015/11/09	GENERAL TOLERANCES (UNLESS SPECIFIED)		DIMENSION STYLE MM ONLY		SCALE ---		DESIGN UNITS METRIC		THIRD ANGLE PROJECTION		
	0.25 UNDER	UNDER	±0.03	DRAWN BY	DATE	TITLE					
	0.25 OVER	0.5 UNDER	±0.05	M. SHIMIZU	2000/12/20	0.5 FPC CONN ASSY ZIF SMT ST EMBSTP PKG					
	0.5 OVER	1.0 UNDER	±0.1	S. KUNISHI	2000/12/20						
	1.0 OVER	10 UNDER	±0.2	APPROVED BY	DATE	<b>molex</b> DOCUMENT NO. SD-52559-054 SHEET NO. 2 OF 3					
	10 OVER	30 UNDER	±0.25	M. FUKUSHIMA	2000/12/20						
	30 OVER		±0.3	MATERIAL NO.							
	ANGULAR	±3 °		SEE CHART							
	DRAFT WHERE APPLICABLE MUST REMAIN WITHIN DIMENSIONS			SIZE	THIS DRAWING CONTAINS INFORMATION THAT IS PROPRIETARY TO MOLEX INCORPORATED AND SHOULD NOT BE USED WITHOUT WRITTEN PERMISSION						
	A3										



SECT.X-X

32mm幅キャリアテープ  
32mm WIDTH CARRIER TAPE

32	33.5	17.4	20.3	52559-3092	30
キャリアテープ幅 CARRIER TAPE WIDTH	C	(B)	(A)	ENG. NO.	極数 CIRCUIT

REVISED EC NO: J2016-0380 DRW:NASUNUMA 2015/10/15 CHK:D:KAKAHASHI 2015/10/16 APPR:YNOGAWA 2015/11/09	GENERAL TOLERANCES (UNLESS SPECIFIED)		DIMENSION STYLE		SCALE		DESIGN UNITS		THIRD ANGLE PROJECTION	
	0.25 UNDER UNDER ±0.03		MM ONLY		---		METRIC		⊙ □	
	0.25 OVER 0.5 UNDER ±0.05		DRAWN BY DATE		TITLE		0.5 FPC CONN ASSY ZIF SMT ST EMBSTP PKG			
	0.5 OVER 1.0 UNDER ±0.1		M.SHIMIZU 2000/12/20		CHECKED BY DATE					
	1.0 OVER 10 UNDER ±0.2		S.KUNISHI 2000/12/20		APPROVED BY DATE					
	10 OVER 30 UNDER ±0.25		M.FUKUSHIMA 2000/12/20		MATERIAL NO.		DOCUMENT NO.		SHEET NO.	
	30 OVER ±0.3		SEE CHART		SD-52559-054		3 OF 3			
	ANGULAR ±3 °		SIZE		A3		THIS DRAWING CONTAINS INFORMATION THAT IS PROPRIETARY TO MOLEX INCORPORATED AND SHOULD NOT BE USED WITHOUT WRITTEN PERMISSION			
	DRAFT WHERE APPLICABLE MUST REMAIN WITHIN DIMENSIONS									