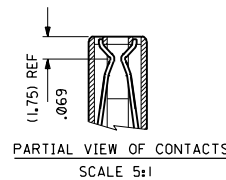
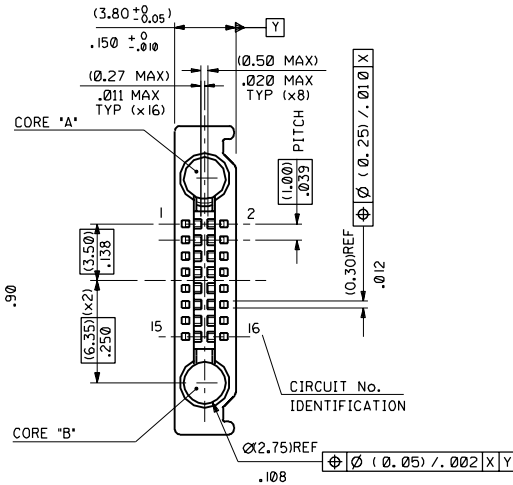
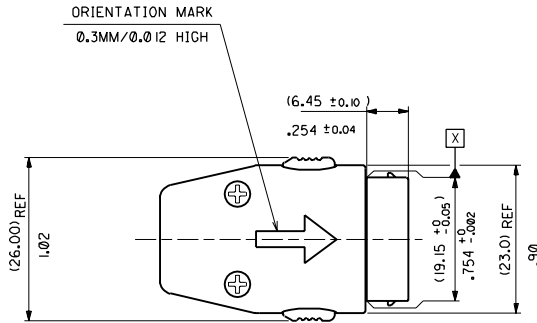
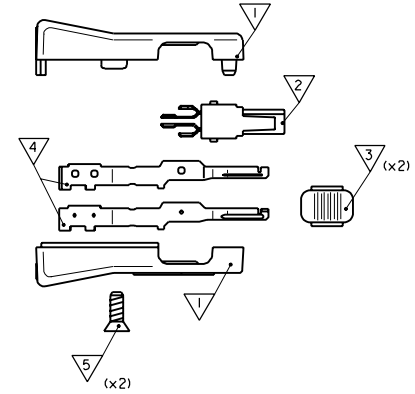


RECESS FOR CABLE STRAIN RELIEF GROMMET  
(SCALE 5:1)

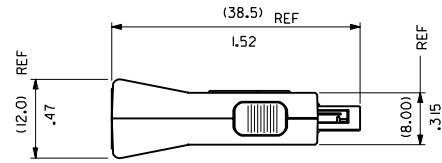


NO.	DESCRIPTION
1	UPPER SHELL LOWER SHELL
2	16 CIRCUIT I/O MOBILE PHONE PLUG CONNECTOR
3	BUTTONS
4	METAL LOCKING LATCHES
5	SCREWS : SELF TAPPING

KIT No.	COMPONENTS	RF CORING CONFIG	
		CORE 'A'	CORE 'B'
90813-0006	1, 2, 3, 4, 5	RF	RF



- NOTES:**
- MATERIALS:  
SHELLS: 30% GLASS FILLED POLYESTER (UL94V-0, COLOUR: BLACK)  
BUTTONS: 30% GLASS FILLED POLYESTER (UL94V-0, COLOUR: BLACK)  
LATCHES: STAINLESS STEEL  
PLUG HOUSING: 50% GLASS FILLED NYLON 4/6 (COLOUR: BLACK).  
SIGNAL CONTACTS: BERYLLIUM COPPER (0.25mm)/.009µin THICK REF.  
PLATING: (0.10µm) / .004µin MIN GOLD FLASH, ON (1.0µm) / .039µin MIN PALLADIUM NICKEL WITH (1.27µm) / .050µin MIN NICKEL UNDERPLATE. (3-5µm) / .118-.197µin MIN TIN-LEAD (90/10) IN THE SOLDER CUP AREA.
  - MATES WITH SERIES 90811-013 HANDSET CONNECTOR.
  - SEE PACKAGING SPECIFICATION ES-99039-0002.
  - SEE PRODUCT SPECIFICATION PS-99020-0045.
  - SEE TERMINATION SPECIFICATION ES-99033-0003.
  - FOR RF COAX INSERT, USE MOLEX 90853-0001 SUPPLIED SEPARATELY.



FOR PREVIOUS DRAWING ISSUES SEE MRI.	ORIGINAL RELEASE ECHA E70749 97-06-06-1L	REVISIONS	DRWG BY <b>HL</b>	REVISE ONLY ON CAD SYSTEM	SHL REV.	
	DIMENSIONS SHOWN (METRIC) INCH UNLESS OTHERWISE SPECIFIED TOLERANCES: ANGULAR ± 0.5°		DRWG TO <b>HL</b>	CAD/CAM FILENAME SDA-90813-0006.DWG		
	DESIGN DIMENSION (MM) (IN) (PRIMARY) □ IN.		DRWG BY	TITLE <b>SYSTEM CONNECTOR PLUG KIT</b>		
	EQUIVALENT DIMENSION (SECONDARY) □ (MM) □ (IN).		APPRD BY	SHEET NO. DATE <b>10F 1 97/06/06</b>		
SCALE <b>2:1</b>			PART NO. <b>SEE CHART</b>			
SCALE <b>2:1</b>			DWG NO. <b>SDA-90813-0006</b>			
SCALE <b>2:1</b>			SIZE <b>C</b>			

PART NO. SEE CHART  
DWG NO. SDA-90813-0006