



**ANATECH ELECTRONICS INC**  
RF & Microwave Filters & Products

# 10160 MHz Cavity Bandpass Filter

Part Number: AE10160B6878



## Electrical Specifications

**Center Frequency:** 10160 MHz  
**0.5-dB Bandwidth:** 30 MHz  
**Impedance:** 50 Ohms  
**Insertion Loss:**  $\leq 1.5$  dB  
**Rejection :**  $\geq 50$  dB @ 2500 MHz  
**Rejection2 :**  $\geq 70$  dB @ 11000 MHz  
**Rejection3 :**  $\geq 90$  dB @ 12000 MHz to 24000 MHz  
**VSWR:**  $< 1.5:1$

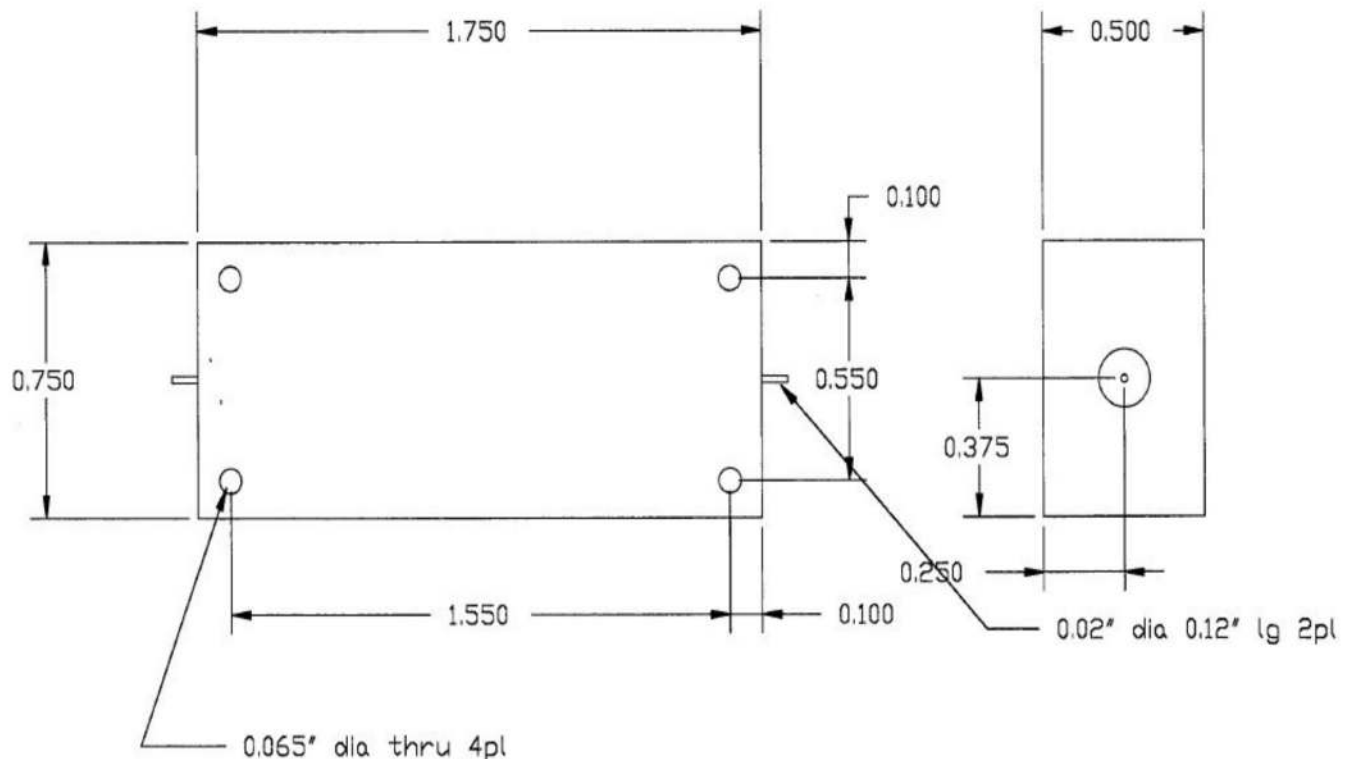
## Mechanical

**Mounting Method:** Drop-in Through holes  
**Dimensions:** 1.75" X 0.75" x 0.5" in.

## Environmental

**Operating Temperature:**  $-40^{\circ}\text{C}$  to  $+70^{\circ}\text{C}$   
**Storage Temperature:**  $-25^{\circ}\text{C}$  to  $+90^{\circ}\text{C}$   
**Shock:** 20 G. 11ms  
**Vibration:** 20 G. 5 to 200Hz

## Outline Drawing:





**ANATECH ELECTRONICS INC**  
RF & Microwave Filters & Products

# 10160 MHz Cavity Bandpass Filter

Part Number: AE10160B6878

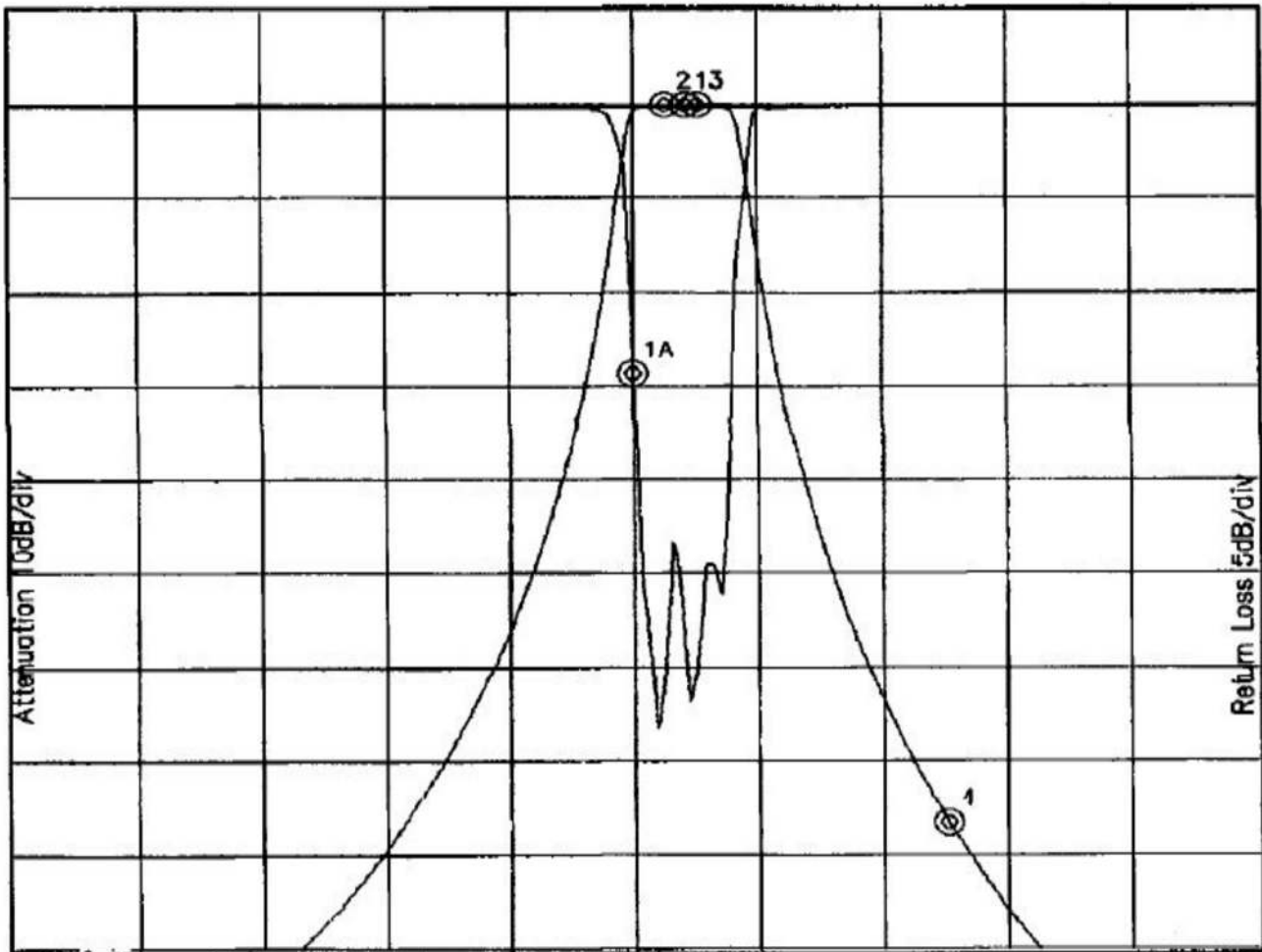


## Response Plot:

**ANATECH ELECTRONICS 10.160GHz BPF P/N B6878**

JAN 14, 2004

Attenuation/Return Loss



Attenuation Start: 8.0GHz Stop: 12.0GHz

Return Loss Start: 8.0GHz Stop: 12.0GHz

Offset -1.0869dB

Marker 1 Freq 10.165GHz Atten 0.103dB

Marker 1A Freq 9.997GHz Ret Loss -14.453dB

Marker 2 Freq 10.10GHz Atten 0.050dB

Marker 3 Freq 10.204GHz Atten 0.053dB

Marker 4 Freq 11.005GHz Atten -76.937dB