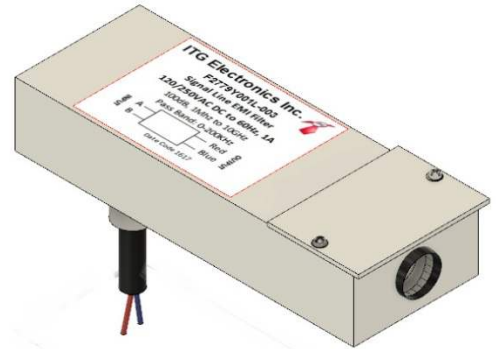


# F2779Y Series



## 1. Features :

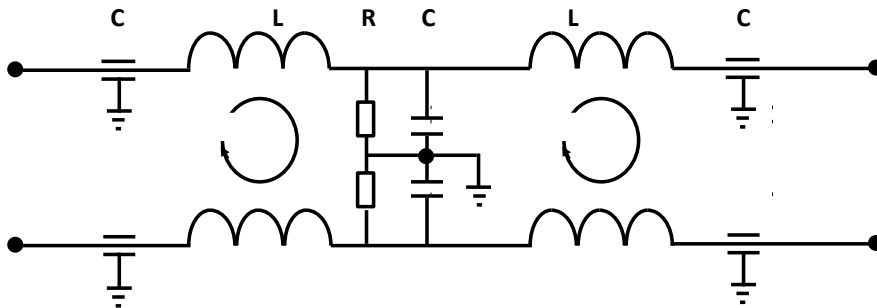
- MRI Room data line filters provide clean communication lines into MRI rooms. The filters are designed with minimum leakage current to ground and provide 100dB attenuation from 1MHz to 10GHz, Pass Band 0-200KHz.
- Voltage Rating: 120/250V
- Frequency: DC to 60Hz
- Hi-Pot: Line to Ground: 1000VDC for 2 sec  
 Line to Line: VDC for 2 sec
- Ambient Temperature Range: -25°C To +85°C
- Filter components are encapsulated in a plated metal enclosure
- Leakage Current: 5mA @ 120VAC 60Hz
- The filters comply with UL and cUL construction requirements



## 2. Electrical Characteristics :

ITG Part Number	Operating Current (A) at 60°C	Output terminal(AWG)
F2779Y001L-003	1	M4

## 3. Schematic:



\*Due to continuous product improvement, all specifications are subject to change without prior notice. Kindly contact an ITG field application engineer or a sales representative prior to purchase.

# F2779Y Series



## 4. Mechanical Dimensions in mm, ±2mm:

ITG Part Number	L	W	H
F2779Y001L-003	155	70	45

