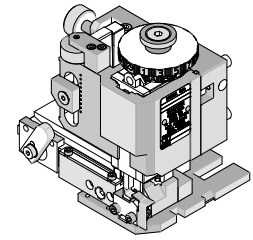


**FineAdjust
Applicator**



**Application Tooling
Specification Sheet**



Order No. 63901-9800

FEATURES

- Directly adapts to most automatic wire processing machines
- Quick punch removal with the push of a button for fast and easy tooling change
- Applicator designed to industry standard mounting and shut height 135.80mm (5.346")
- Quick set-up time; plus the crimp height, track and feed adjustments can be set without removing the applicator from the press
- Fine adjustment allows users to achieve target with little effort by adjusting in increments of .015mm (.0006") for conductor crimp height and .063mm (.0025") for insulation height
- Independent adjustment rings allow users to quickly adjust the conductor or insulation crimp height without affecting each other

SCOPE

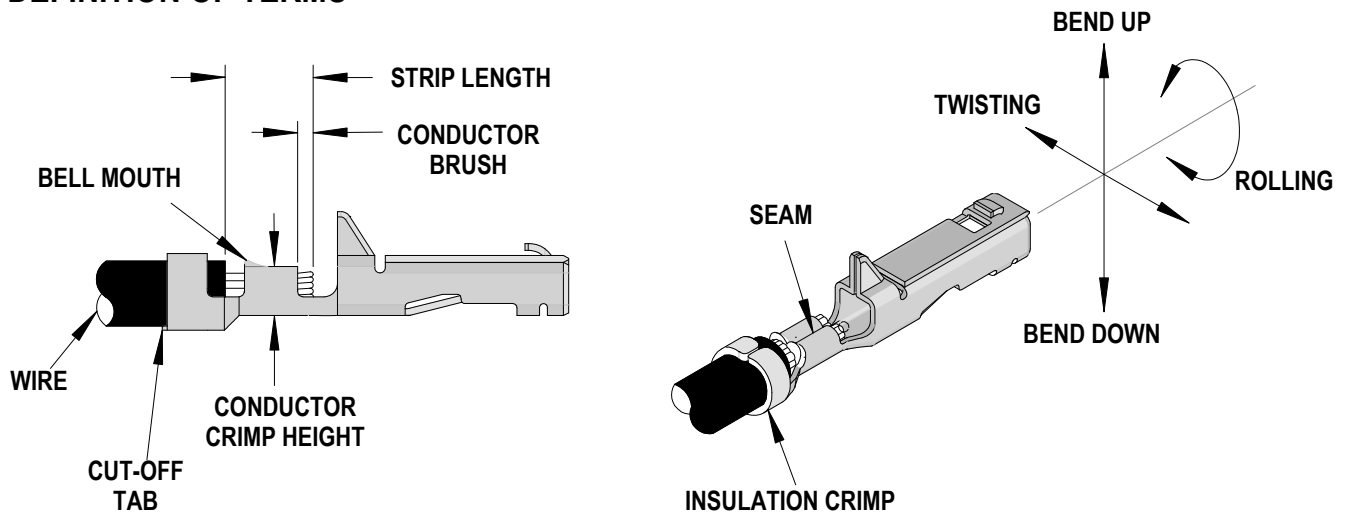
Products: 3.96 (.156") Wire-to-Wire and Wire-to-Board Crimp Terminal, 20-26 AWG.

Terminal Series No.	Terminal Order No.	Wire Size		Insulation Diameter				Strip Length	
				IPC/WHMA-A620 (1)		Terminal (2)			
		AWG	mm ²	mm	In.	mm	In.	mm	In.
50598	50598-8000	20-26	0.55-0.12	1.25-1.90	.049-.075	1.25-1.90	.049-.075	2.70-3.30	.106-.130
50600	50600-8000	20-26	0.55-0.12	1.25-1.90	.049-.075	1.25-1.90	.049-.075	2.70-3.30	.106-.130

(1) To achieve optimum IPC-A620 Class 2 insulation crimps, use this insulation OD range

(2) Overall insulation OD specification for terminal

DEFINITION OF TERMS



CRIMP SPECIFICATION

Terminal Series No.	Bell mouth		Cut-off Tab Maximum		Conductor Brush	
	mm	In.	mm	In.	mm	In.
50598	0.10-0.60	.004-.024	0.25	.010	0.00-1.00	.000-.039
50600	0.10-0.60	.004-.024	0.25	.010	0.00-1.00	.000-.039

Terminal Series No.	Bend up Bend down		Twist	Roll	Punch Width mm (Ref)				Seam Seam shall not be open and no wire allowed out of the crimping area
	Degree				Degree		Conductor		
	mm	In	mm	In	mm	In	mm	In	
50598	4	3	3	8	1.60	.063	2.20	.087	
50600	4	3	3	8	1.60	.063	2.20	.087	

After crimping, the conductor profile should measure the following.

Terminal Series No.	Wire Size		Conductor Crimp Height		Insulation Crimp Height (Ref)		Pull Force Minimum	
	AWG	mm ²	mm	In.	mm	In.	N	Lb.
50598	20 AWG	0.55	0.95-1.05	.037-.041	2.55	.100	58.8	13.2
	22 AWG	0.35	0.87-0.92	.034-.036	2.45	.096	39.2	8.8
	24 AWG	0.20	0.80-0.85	.032-.034	2.40	.094	29.4	6.6
	26 AWG	0.12	0.76-0.81	.030-.032	2.25	.089	14.7	3.3
50600	20 AWG	0.55	0.95-1.05	.037-.041	2.55	.100	58.8	13.2
	22 AWG	0.35	0.87-0.92	.034-.036	2.45	.096	39.2	8.8
	24 AWG	0.20	0.80-0.85	.032-.034	2.40	.094	29.4	6.6
	26 AWG	0.12	0.76-0.81	.030-.032	2.25	.089	14.7	3.3

Tool Qualification Notes:

1. The above specifications are guidelines to an optimum crimp.

PARTS LIST

FineAdjust Applicator 63901-9800				
Item	Order No	Engineering No.	Description	Quantity
Perishable Tooling				
	63901-9870	63901-9870	Tool Kit (All "Y" Items)	REF
1	63444-1609	63444-1609	Conductor Punch	1 Y
2	63445-1641	63445-1641	Conductor Anvil	1 Y
3	63446-2214	63446-2214	Insulation Punch	1 Y
4	63445-2220	63445-2220	Insulation Anvil	1 Y
5	63443-0002	63443-0002	Cut-Off Plunger	1 Y
6	63443-0012	63443-0012	Front Plunger Retainer	1 Y
Other Components				
7	11-17-0022	1739-21	Hold Down Spring	1
8	11-18-4083	60707-8	Feed Guide	1
9	11-24-1067	4996-4	Cut-off Plunger Spring	1
10	63443-0009	63443-0009	Front Scrap Chute	1
11	63443-0024	63443-0024	Key	1
12	63443-0090	63443-0090	Wire Stop	1
13	63443-0093	63443-0093	Shank	1
14	63443-1719	63443-1719	Height Spacer	1
15	63443-2216	63443-2216	Coarse Spacer (16.00mm)	1
16	63443-2301	63443-2301	Fine Spacer (3.05mm)	1
17	63443-3101	63443-3101	Front Plunger Striker	1
18	63443-6115	63443-6115	Rear Cover	1
19	63901-9802	63901-9802	Terminal Hold Down	1
Frame				
20	63800-4901	63800-4901	Top	1
21	63801-3281	63801-3281	Base	1
22	63801-4650	63801-4650	Track	1
Hardware				
23	N/A	N/A	M3 by 6 Long SHCS	2**
24	N/A	N/A	M3 by 6 Long FHCS	1**
25	N/A	N/A	M3 by 8 Long SHCS	1**
26	N/A	N/A	M4 by 6 Long SHCS	2**
27	N/A	N/A	M4 by 12 Long BHCS	2**
28	N/A	N/A	M4 by 50 Long SHCS	2**
29	N/A	N/A	M5 by 12 Long SHCS	1**
30	N/A	N/A	#10-32 by 3/8" Long Flat Point SSS	1**
31	N/A	N/A	#10-32 Hex Jam Nut	1**

** Available from an industrial supply company such as MSC (1-800-645-7270).

Assembly Drawing

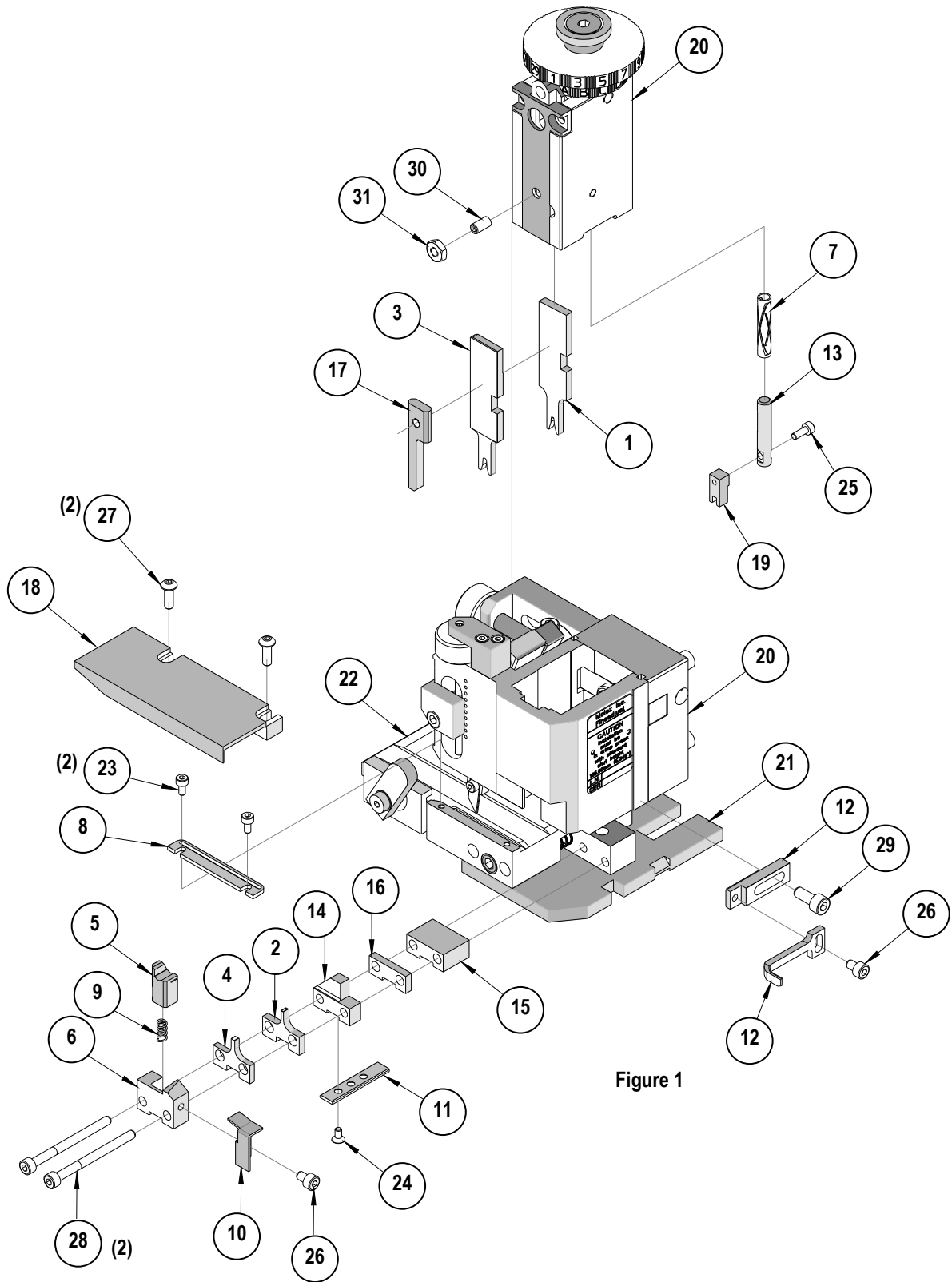


Figure 1

NOTES

1. Molex recommends an extra perishable tooling kit be maintained at your facility.
2. Verify tooling alignment by manually cycling the press and Applicator before crimping under power. Check that all screws are tight.
3. Slugs, Terminals, Dirt and Oil should be kept clear of work area.
4. Wear safety glasses at all times.
5. For recommended maintenance refer to the FineAdjust Manual.

CAUTION: This applicator should only be used in a press with a shut height of 135.8mm (5.346"). Tooling damage could result at a lower setting.

CAUTION: To prevent injury never operate this Applicator without the guards supplied with the press or wire-processing machine in place. Reference the press or wire processing manufacturer's instruction manual.

CAUTION: Molex crimp specifications are valid only when used with Molex terminals, applicators and tooling.

<http://www.molex.com>