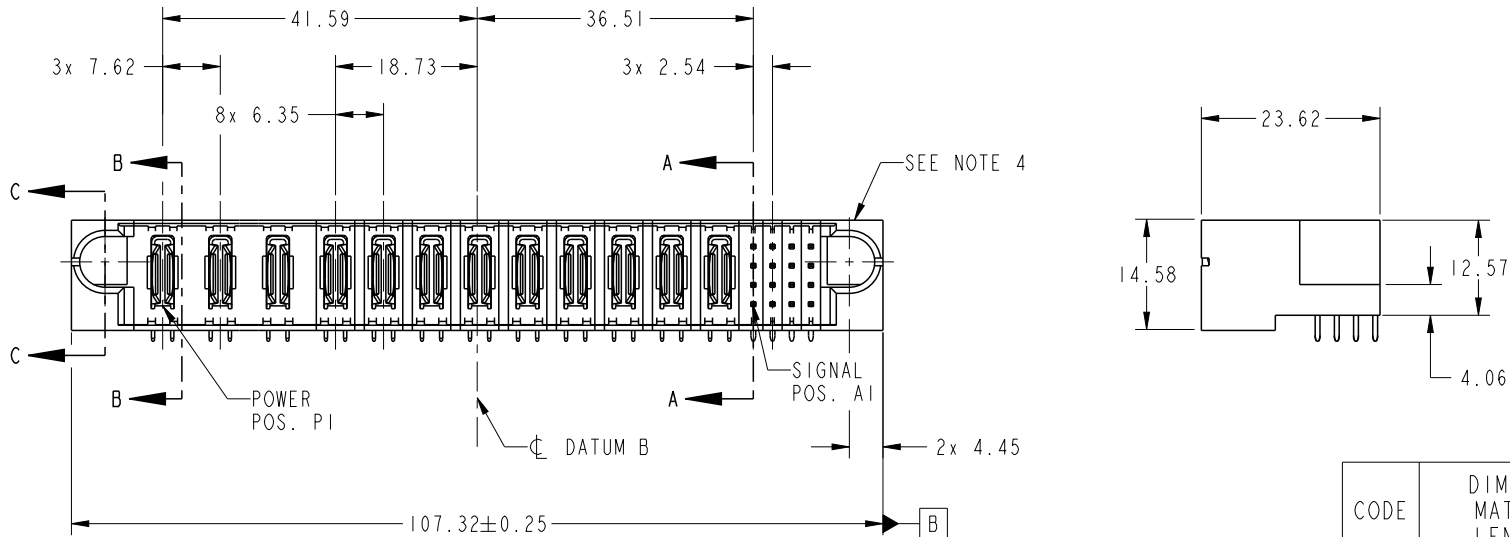


PRODUCT NO.	ROWS	POWER												SIGNAL					
		E1	P1	P2	P3	P4	P5	P6	P7	P8	P9	P10	P11	P12	1	2	3	4	E2
51939-982LF	DCBA																		



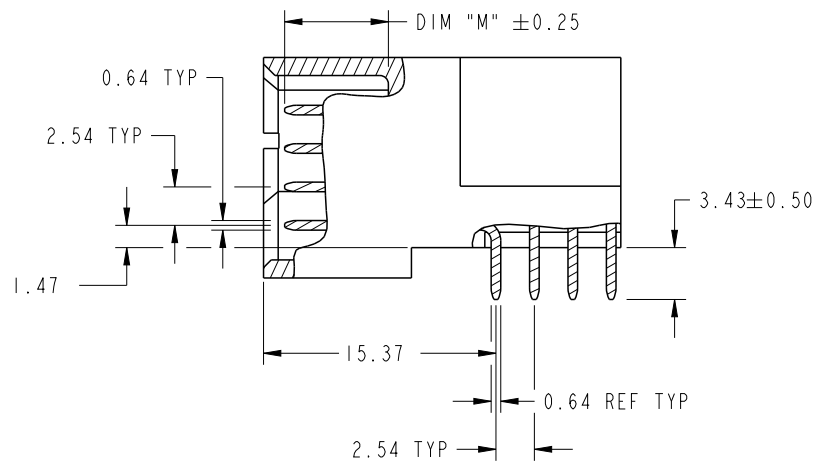
CODE	DIM "M" MATING LENGTH	CONTACT TYPE
U	[6.86]	SIGNAL
T	[6.86]	SIGNAL
S	[6.86]	SIGNAL
R	[6.86]	SIGNAL
F	[5.59]	SIGNAL
E	[5.59]	SIGNAL
PA	[N/A]	POWER

spec ref	*	dr	De-Ming Lu	2015/07/15	projection	MM	size	A4	scale	1:1				
tolerance std	TOLERANCES UNLESS OTHERWISE SPECIFIED	eng	De-Ming Lu	2015/07/20			ecn no	-	rel level	Released				
ASME Y14.5		chr	Fancy Zhang	2015/07/20										
		appr	Pei-Ming Zheng	2015/07/20		product family					PwrBlade			
surface	✓	linear	0.X	±0.5		title	3ACP + 9P + 16S	dwg no	51939-982	rev	A			
ASME Y14.5			0.XX	±0.25							cat. no.	-	Product - Customer Drw	sheet 1 of 4
			0.XXX	±0.1										
	angular	0°	±2°	www.fci.com										

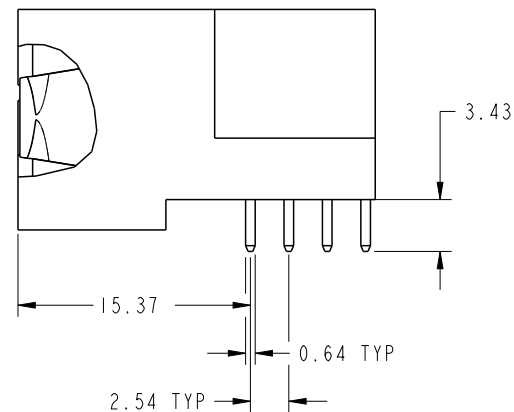
PrdE File - REV C - 2009-06-09

PRODUCT NUMBER

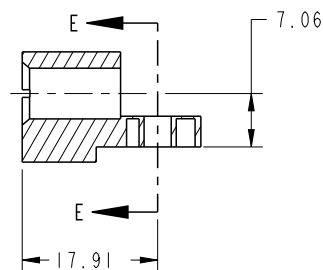
51939-982LF



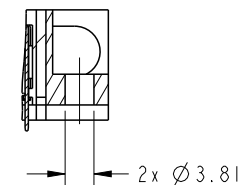
BROKEN-OUT SECTION A-A  
SCALE 2:1



BROKEN-OUT SECTION B-B  
SCALE 2:1



SECTION C-C

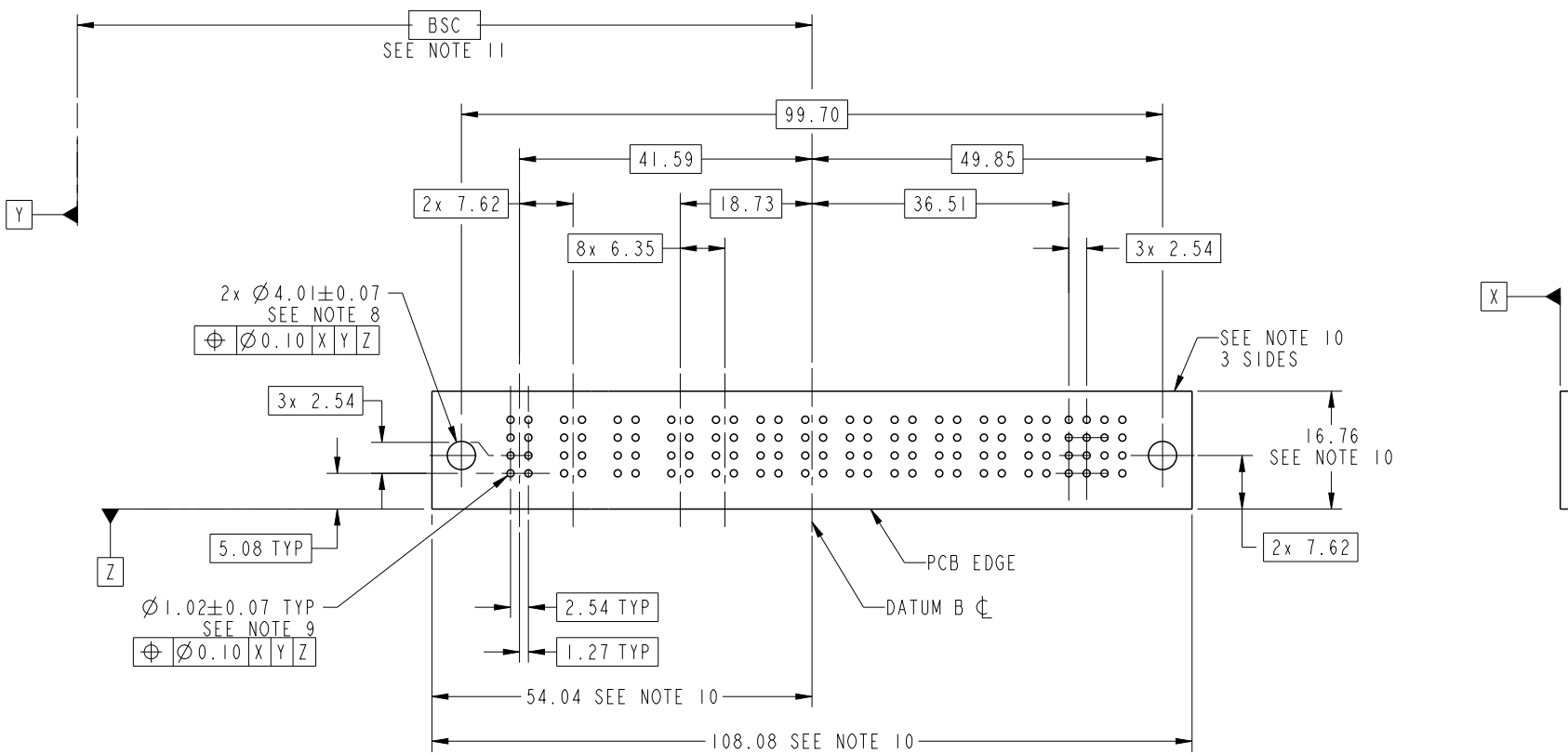


PARTIAL SECTION E-E

dr	De-Ming Lu	2015/07/15	projection 	MM ←————→	size	A4	scale	1:1
eng	De-Ming Lu	2015/07/20			ecn no	-		
chr	Fancy Zhang	2015/07/20			rel level	Released		
appr	Pei-Ming Zheng	2015/07/20	product family	PwrBlade	rev	A		
	title	3ACP + 9P + 16S RIGHT ANGLE SOLDER HEADER		dwg no	51939-982			
www.fci.com	cat. no.	-	Product - Customer Drw	sheet 2 of 4				

PRODUCT NUMBER

51939-982LF



RECOMMENDED PCB LAYOUT

dr	De-Ming Lu	2015/07/15	projection 	MM ←→	size	A4	scale	1:1
eng	De-Ming Lu	2015/07/20			ecn no	-		
chr	Fancy Zhang	2015/07/20			rel level	Released		
appr	Pei-Ming Zheng	2015/07/20	product family	PwrBlade	rev	A		
	title	3ACP + 9P + 16S RIGHT ANGLE SOLDER HEADER		dwg no	51939-982			
www.fci.com	cat. no.	-	Product - Customer Drw	sheet 3 of 4				

PRODUCT NUMBER

51939-982LF

NOTES:

1. DIMENSIONS AND TOLERANCES ARE IN ACCORDANCE WITH ASME Y14.5M, 1994 UNLESS OTHERWISE SPECIFIED.

CONNECTOR NOTES:

- 2. HOUSING MATERIAL: UL 94 V-0 GLASS FILLED HIGH-TEMP THERMOPLASTIC  
POWER CONTACT MATERIAL: COPPER ALLOY  
SIGNAL PIN MATERIAL: COPPER ALLOY
- 3. SEE FCI PLATING SPEC 10064183.
- 4. MANUFACTURER'S NAME, DATE CODE AND OPTIONAL P/N TO APPEAR ON THIS SURFACE. THE MARK CAN BE OMITTED IF THERE IS NOT ENOUGH SPACE ON THIS SURFACE.
- 5. PRODUCT SPECIFICATION GS-12-149.  
APPLICATION SPECIFICATION BUS-20-067.
- 6. PACKAGED IN TRAYS.

PCB NOTES:

- 7. ALL HOLE DIAMETERS ARE FINISHED HOLE SIZE.
- 8. MOUNTING HOLES, WHERE APPLICABLE, ARE UNPLATED.
- 9.  $\varnothing 1.151 \pm 0.025$  DRILLED HOLES PLATED WITH  
0.008 MIN SnPb OR Sn OVER 0.03  
TO 0.08 Cu PLATING TO ACHIEVE  
 $\varnothing 1.02 \pm 0.07$  HOLE.
- 10. CONNECTOR KEEP-OUT ZONE.
- 11. DATUM AND BASIC DIMENSIONS ARE ESTABLISHED BY CUSTOMER.

dr	De-Ming Lu	2015/07/15	projection 	MM 	size	A4	scale	1:1			
eng	De-Ming Lu	2015/07/20			ecn no	-					
chr	Fancy Zhang	2015/07/20			product family	PwrBlade	rel level	Released			
appr	Pei-Ming Zheng	2015/07/20	FCj		title	3ACP + 9P + 16S		dwg no	51939-982	rev	A
www.fci.com		cat. no.	-	Product - Customer Drw			sheet 4 of 4				



Copyright FCI.