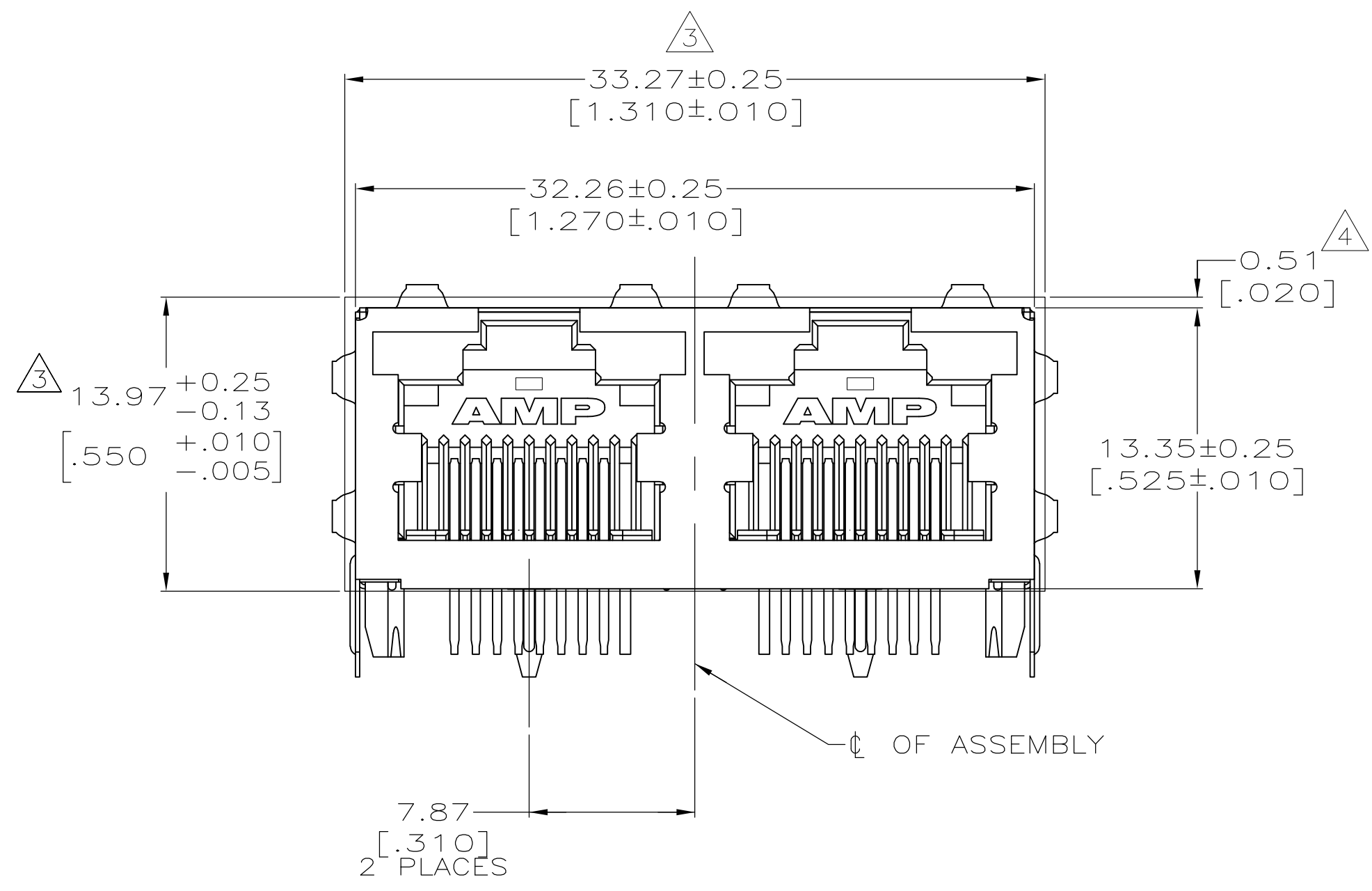
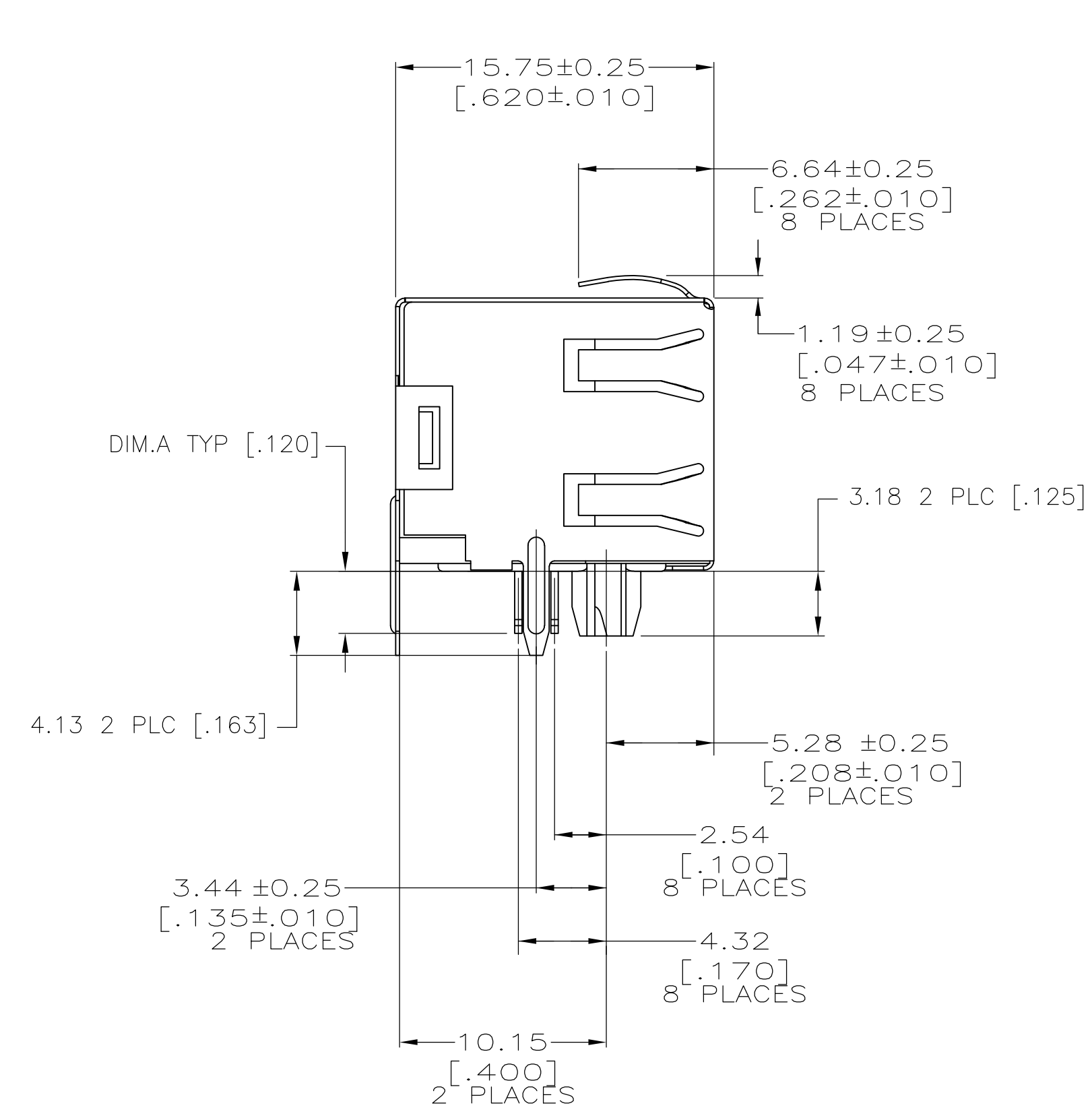
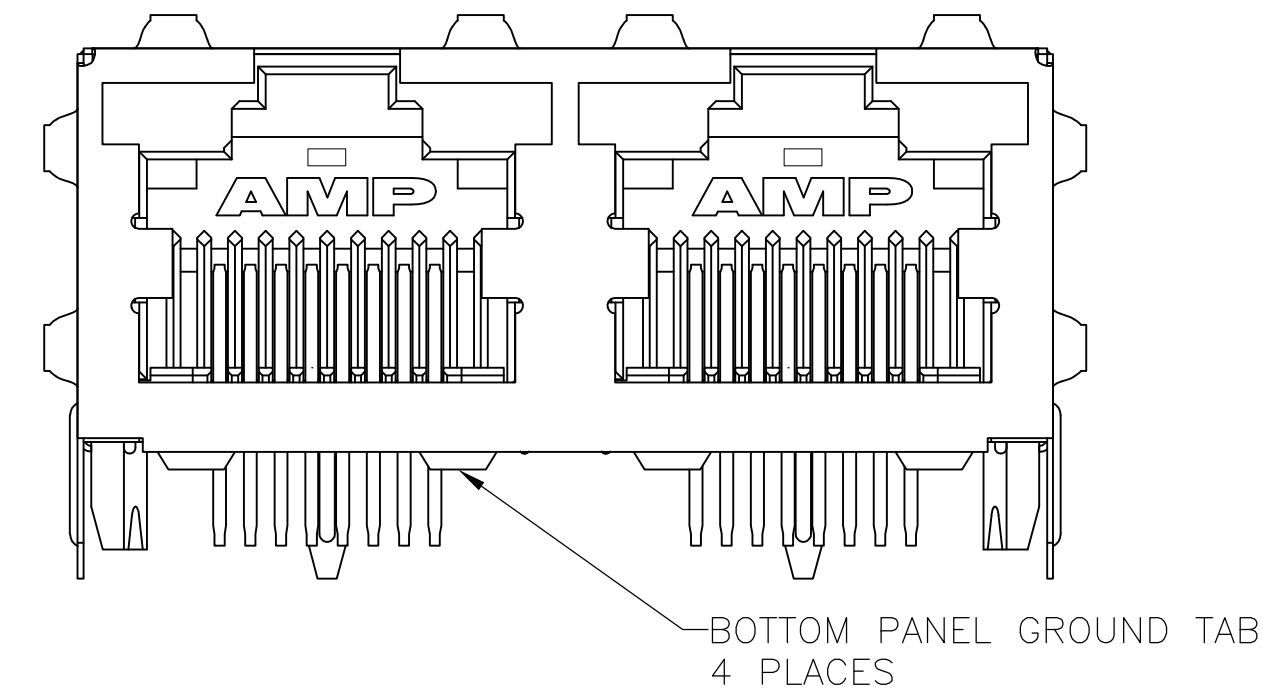
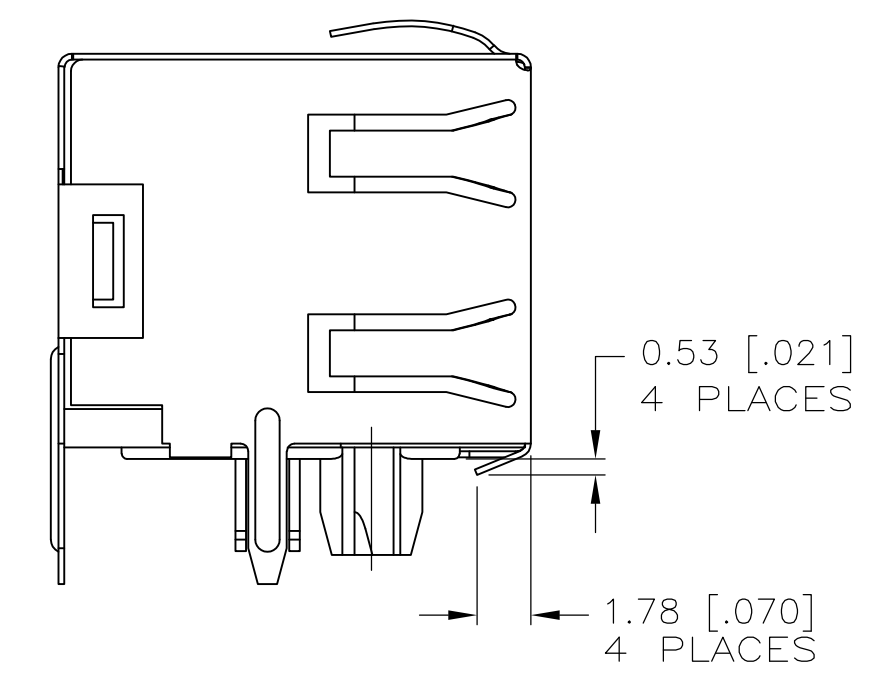


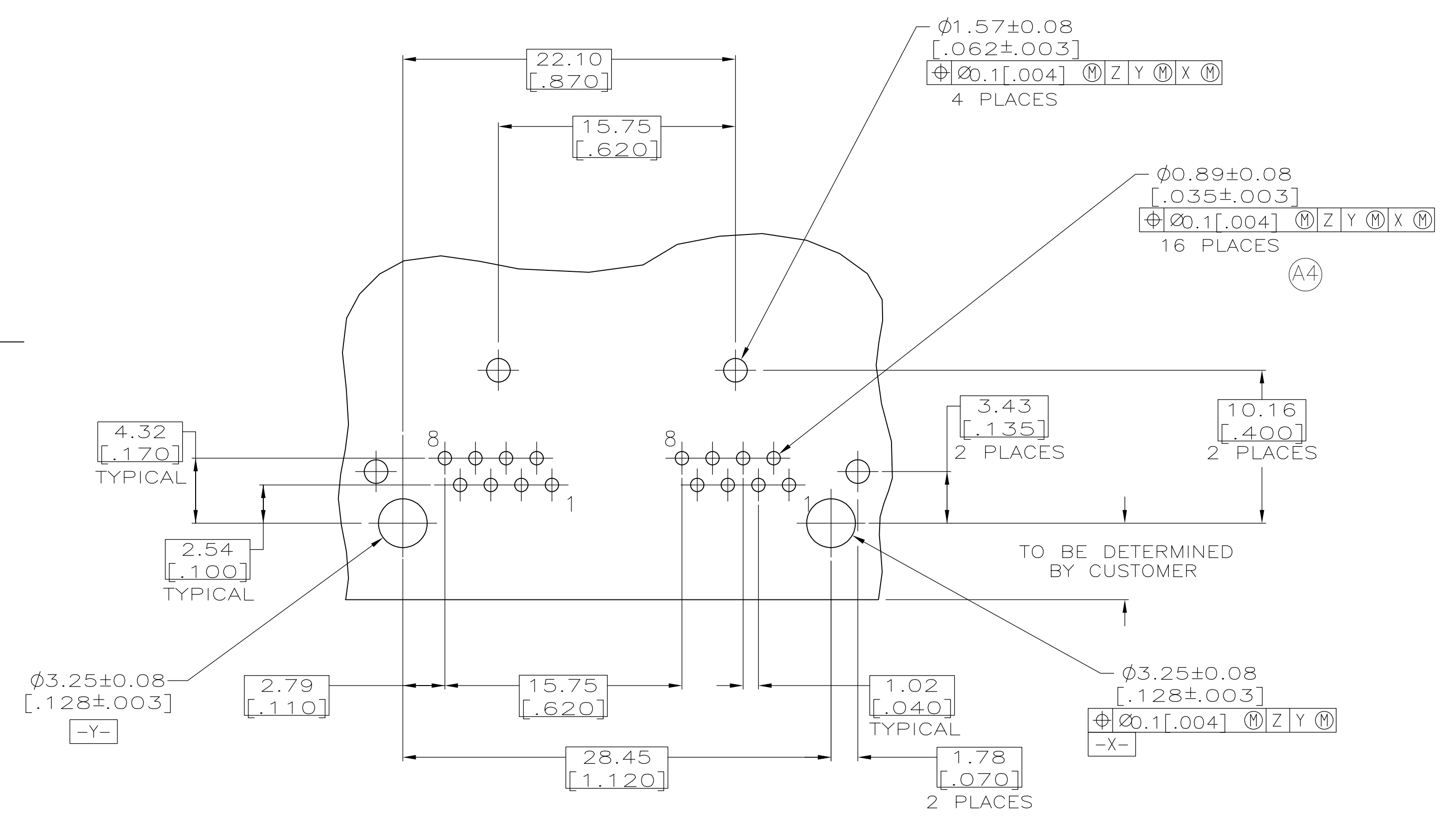
LOC	DIST	REVISIONS				
AA	22	F LTR	DESCRIPTION	DATE	DWN	APVD
A4	ECR-10-011486			02JUN2010	KS	SY



- MATERIAL: HOUSING - HIGH TEMPERATURE THERMOPLASTIC, BLACK, UL94V-0; TERMINALS - 0.36[.014] THICK PHOS BRONZE PLATED WITH 3.81µm[.000150] MINIMUM THICK MATTE TIN IN SOLDER AREA. 1.27 µm [.000050] MINIMUM GOLD IN LOCALIZED PLATE AREA. ENTIRE TERMINAL PLATED WITH 1.27 µm [.000050] MINIMUM THICK NICKEL. SHIELD - 0.196[.0077] THICK COPPER ZINC ALLOY PREPLATED WITH 1.27 µm [.000050] MINIMUM SATIN NICKEL WITH 2.03 µm [.000080] MINIMUM TIN POST DIPPED ON PCB GROUND TABS.
 - JACK CAVITY CONFORMS TO FCC RULES AND REGULATIONS PART 68, SUBPART F.
- ⚠ SUGGESTED PANEL OPENING DIMENSIONS.
 ⚠ SUGGESTED CLEARANCE BETWEEN TOP OF CONNECTOR AND TOP PANEL OPENING.
 ⚠ THE PART IS PRELIMINARY.



PN 6368459-4
 SAME AS PN 6368459-3
 EXCEPT AS SHOWN WITH BOTTOM GROUND PANEL TAB



SUGGESTED PRINTED CIRCUIT BOARD LAYOUT
 (COMPONENT SIDE)

DESCRIPTION	DIM. A	PART NUMBER
W BOTTOM PANEL GROUND TAB	3.68 [.145]	6368459-4
W/O BOTTOM PANEL GROUND TAB	3.68 [.145]	6368459-3
W/O BOTTOM PANEL GROUND TAB	3.05 [.120]	6368459-1
PANELL GROUND TAB		

THIS DRAWING IS A CONTROLLED DOCUMENT.

DIMENSIONS: mm	TOLERANCES UNLESS OTHERWISE SPECIFIED:	DWN: D.L.MAYER 17APR2005	APVD: S.FLICKINGER 17APR2005	NAME: S.FLICKINGER	PRODUCT SPEC: 108-1163-4	APPLICATION SPEC: 114-2154	WEIGHT: -	SIZE: A1	CAGE CODE: 00779	DRAWING NO: 6368459	RESTRICTED TO: -
MATERIAL: SEE NOTE 1		FINISH: SEE NOTE 1		CUSTOMER DRAWING		SCALE: 4:1		SHEET: 1 OF 1		REV: A4	

Tyco Electronics Corporation
 Harrisburg, Pa 17105-3608
 INVERTED MODULAR JACK ASSEMBLY,
 1X2, SHIELDED, PANEL GROUND