

1

2

3

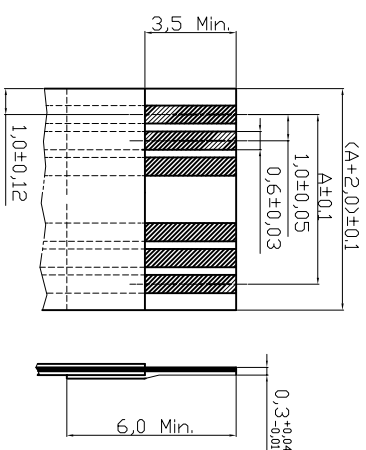
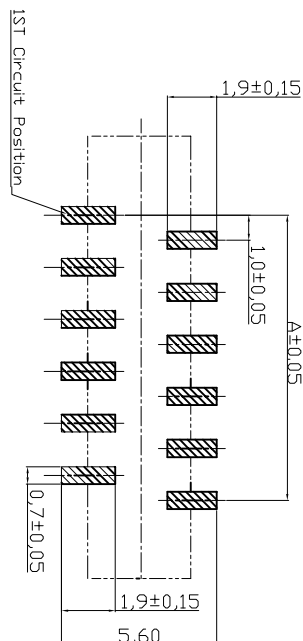
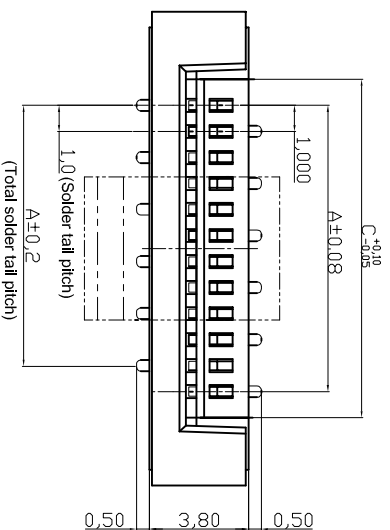
4

5

6

7

Recommended PCB Layout

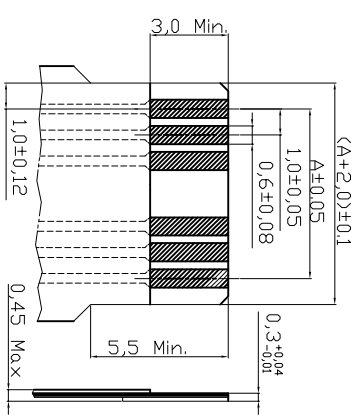
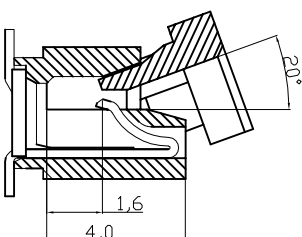
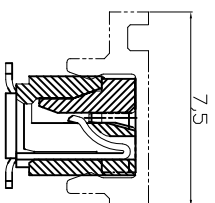
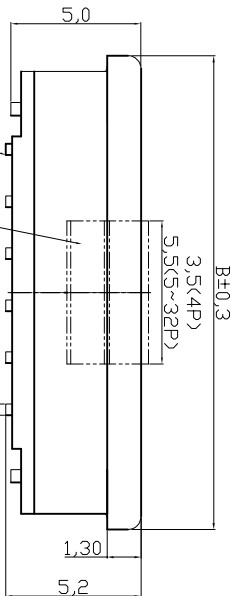


A= 1.00x No. of Spaces  
 B= A + 7.2  
 C= A + 2.1  
 \*Available in 4 through 32 circuits

- NOTES:
- 1.Body :Nylon 6T UL94V-0 Color Nature
  - 2.Slider : Nylon 6T UL 94V-0, Color Brown
  - 3.Contact : Phosphor-Bronze
  - 4.PAD : Nylon 6T UL94V-0, Color Nature
  - 5.Plating : Matte Tin plated over Nickel
  - 6.Contact type: SMT Type

AFFC10-xx-100-SVS-X  
 Packing:  
 R= Tape & Reel  
 T= Tube

Accommodated FFC



Accommodated FPC

**RoHS compliant**  
 Unit: mm



Scale	Free				
<b>TOLERANCE</b>					
X	±0.15				
XX	±0.10				
.XXX	±0.05				
<b>DIM</b>					
X.°	±1°				
X.X°	±X°				
Angle	TOL	Id.	Modification	Date	Name

④	Add UL No.	13.06.2016	Amy	Drawn	03.11.2006	Hellwig
③	Correct the reel material to corrugated	12.08.2014	Winnie	Approved	13.06.2016	Amy
②	Update	03.08.2009	Dean			
①	Drawn	03.11.2006	Hellwig			

Customer-No.

ASSMANN WSW-No.

AFFC10-xx-100-SVS-X

Drawing-No.

ASS 2097 CO

rev04



Replace

SHEET 1/2

1

2

3

4

5

6

7

H

G

F

E

D

C

B

A

1

2

3

4

5

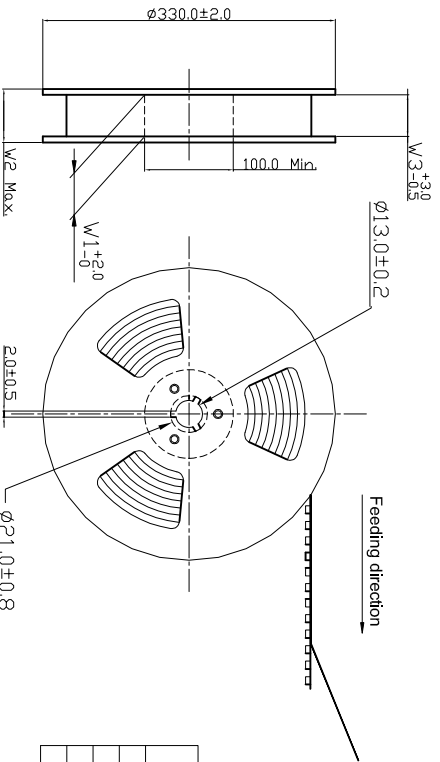
6

7

A

NOTES:

- ①. Reel Material: Corrugated Paper
- 2. Carrier Material : Clear, Conductive Polystyrene Alloy
- 3. Cover Tape Material: Polyester
- 4. Cover Tape Peel Strength: 0.1N-1.3N
- 5. Carrier camber is within 1mm in 250mm
- 6. All dimensions meet EIA-481-B requirements
- 7. Quantity: 800 PCS/Reel

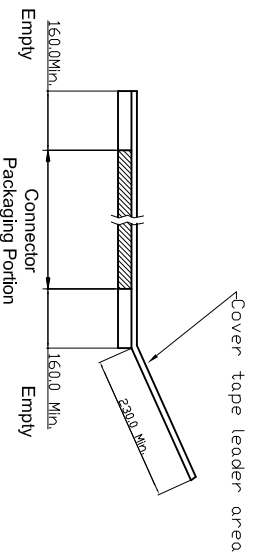


Circuits	Dimension			Packing (Reel/Carton)
	E	F	W1	
4-10	24.0	-	24.5	9
11-15	32.0	28.40	32.5	7
16-26	44.0	40.40	44.5	5
27-32	56.0	52.40	56.5	3

Feeding direction

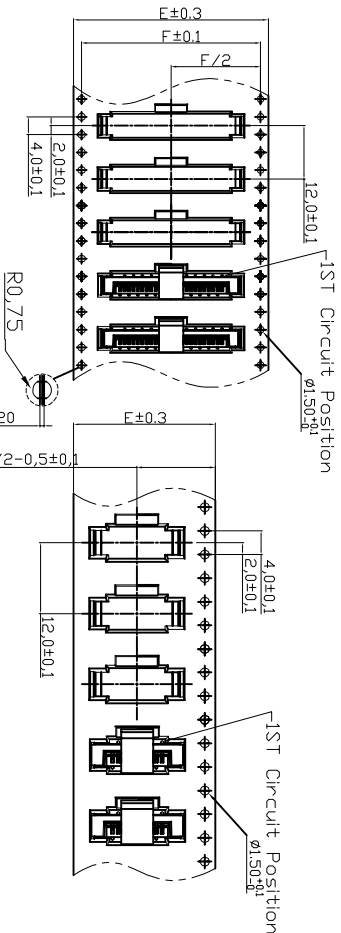
Feeding direction

D



WIDTH: 32.44, 56 mm Carrier

WIDTH: 24 mm Carrier



D

E

F

**RoHS compliant**  
Unit: mm



Scale	Free
TOLERANCE	
.X	±X
.XX	±X
.XXX	±X

Scale	Free
DIM	TOL
X.°	±1°
X.X°	±X°
Angle	TOL

Id.	Modification	Date	Name
①	Drawn	03.11.2006	Hellwig
②	Update	03.08.2009	Dean
③	Correct the reel material to corrugated	12.08.2014	Winnie
④	Add UL No.	13.06.2016	Amy

Date	Name
03.11.2006	Hellwig
13.06.2016	Amy

Customer-No.	ASSMANN WSW-No.
	AFFC10-XX-100-SVS-X
Drawing-No.	ASS 2097 CO
Replace	rev04

G

H

H

1

2

3

4

5

6

7



File No.: E198287

Id.	Modification	Date	Name
①	Drawn	03.11.2006	Hellwig
②	Update	03.08.2009	Dean
③	Correct the reel material to corrugated	12.08.2014	Winnie
④	Add UL No.	13.06.2016	Amy

Customer-No.	ASSMANN WSW-No.
	AFFC10-XX-100-SVS-X
Drawing-No.	ASS 2097 CO
Replace	rev04

Customer-No.	ASSMANN WSW-No.
	AFFC10-XX-100-SVS-X
Drawing-No.	ASS 2097 CO
Replace	rev04

H



Customer-No.	ASSMANN WSW-No.
	AFFC10-XX-100-SVS-X
Drawing-No.	ASS 2097 CO
Replace	rev04

SHEET 2/2