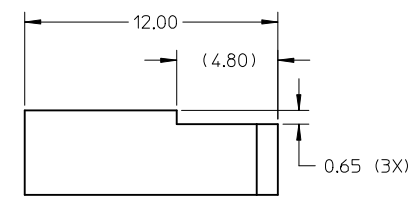
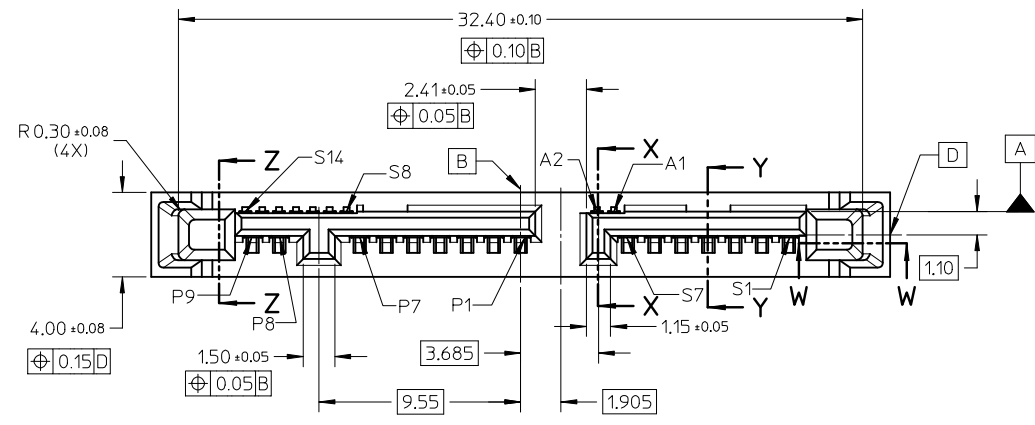
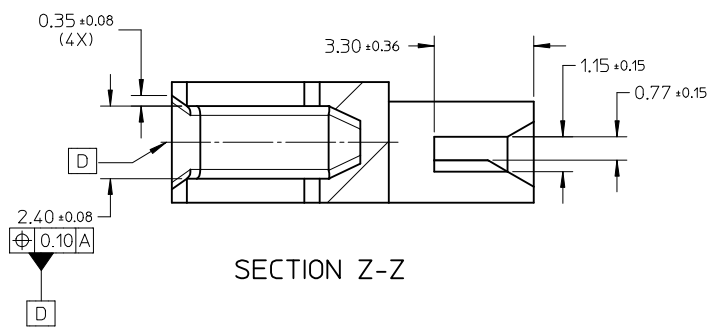
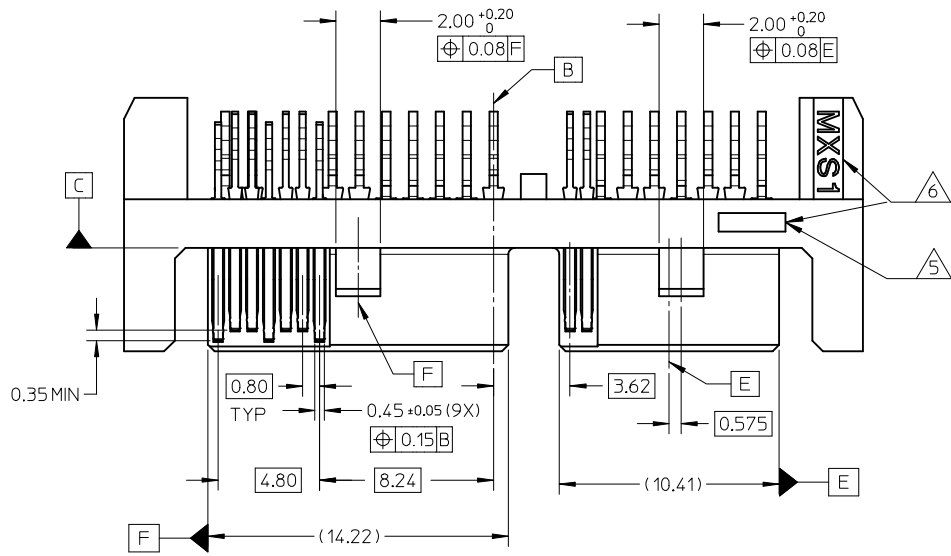


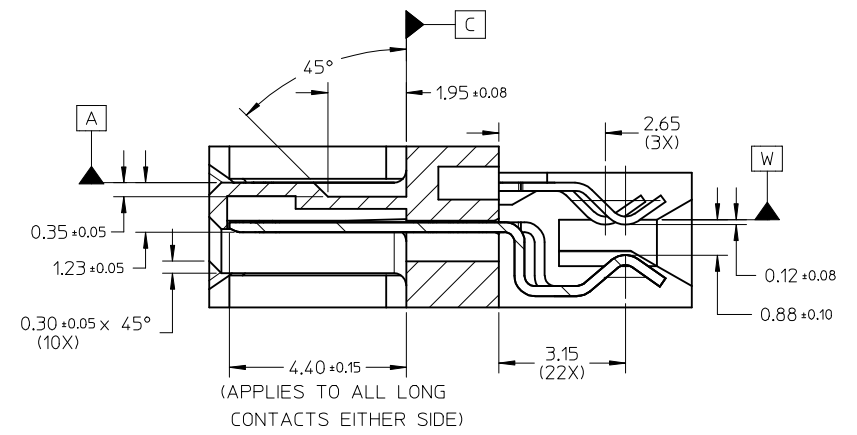
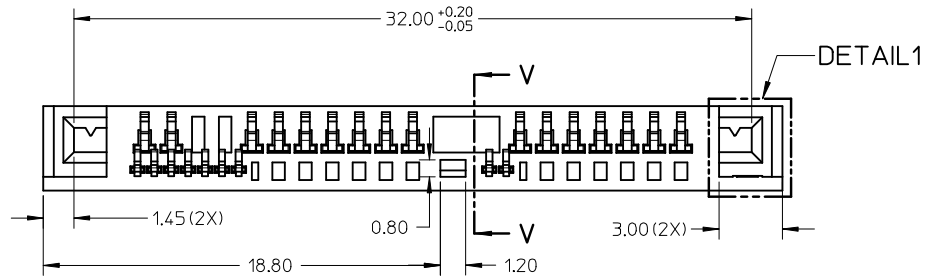
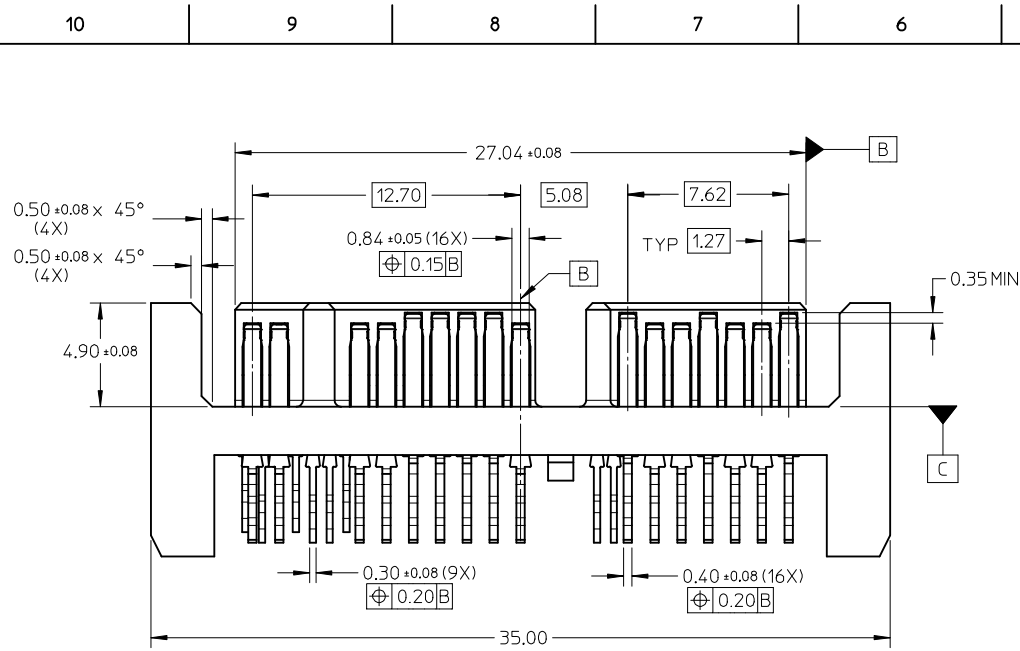
NOTES:

1. MATERIAL:  
HOUSING: LCP, GLASS FILLED, UL 94V-0, BLACK  
TERMINAL: COPPER ALLOY
2. FINISHES:  
CONTACT: 0.76µm MIN GOLD OVER  
1.27µm MIN. NICKEL UNDERPLATE  
SOLDERTAIL: 1.91µm MIN TIN OVER  
1.27µm MIN. NICKEL UNDERPLATE
3. PRODUCT SPECIFICATION: PS-78528-001
4. PACKAGING SPECIFICATION: PK-78528-001
5. DATE CODE FORMAT: YYDD
6. MOLEX LOGO AND DATE CODE LOCATED APPROXIMATELY AS SHOWN
7. MATES WITH: MOLEX MICROSAS & MICROSATA RECEPTACLE
8. THIS PRODUCT IS COMPLIANT TO RoHS DIRECTIVE WITH THE FOLLOWING BANNED SUBSTANCES - LEAD, MERCURY, CADMIUM, HEXAVALENT CHROMIUM, POLYBROMINATED BIPHENYLS AND POLYBROMINATED DIPHENYLS ETHERS
9. NON FUNCTIONAL CORING MAY VARY

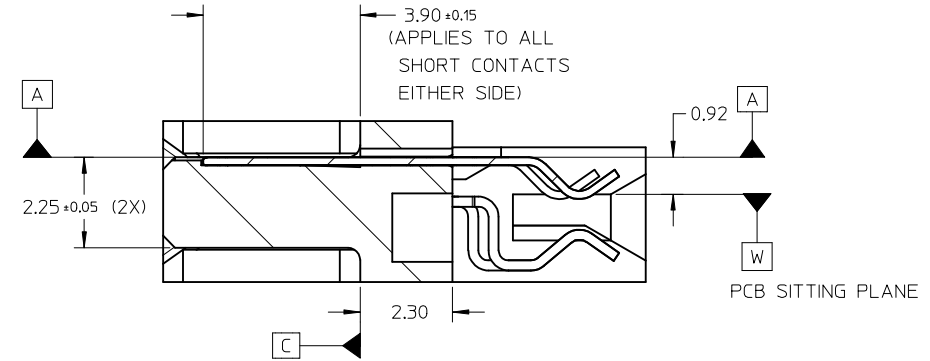
SEE SHEET 2 EC NO: S2013-0183 DRWN:GMENARLY 2012/10/02 CH'KD:SCHEONG 2012/10/08 APPR:BOKOK 2012/10/08	QUALITY SYMBOLS	GENERAL TOLERANCES (UNLESS SPECIFIED)		DIMENSION STYLE	SCALE	DESIGN UNITS	THIRD ANGLE PROJECTION
	$F_A=0$ $F_C=0$ $F_P=0$	mm	INCH	MM ONLY	NTS	METRIC	
		4 PLACES ± --- ± ---	DRAWN BY	DATE	TITLE		
		3 PLACES ± --- ± ---	GMENARLY	2009/07/16	MICROSAS PLUG R/A, STRADDLE MOUNT VELA		
	2 PLACES ± 0.20 ± ---	CHECKED BY	DATE				
	1 PLACE ± --- ± ---	CGOH	2009/09/03	<b>molex</b>			
	0 PLACE ± --- ± ---	APPROVED BY	DATE				
		BOKOK	2009/09/03	MATERIAL NO.	DOCUMENT NO.	SHEET NO.	
				78528-0001	SD-78528-001	1 OF 6	
				THIS DRAWING CONTAINS INFORMATION THAT IS PROPRIETARY TO MOLEX INCORPORATED AND SHOULD NOT BE USED WITHOUT WRITTEN PERMISSION			



ADD DIM @ F3 EC NO: S2013-0183 DRAWING: GMENARLY 2012/10/02 CHKD: SCHEONG 2012/10/08 APPR: BOKOK 2012/10/08	DESCRIPTION REV	QUALITY SYMBOLS $\nabla = 0$ $\nabla = 0$ $\nabla = 0$		GENERAL TOLERANCES (UNLESS SPECIFIED)		DIMENSION STYLE <b>MM ONLY</b>		SCALE <b>NTS</b>	DESIGN UNITS <b>METRIC</b>	THIRD ANGLE PROJECTION
		4 PLACES ± --- ± ---	mm    INCH	DRAWN BY GMENARLY	DATE 2009/07/16	TITLE <b>MICROSAS PLUG          R/A, STRADDLE MOUNT          VELA</b>				
		3 PLACES ± --- ± ---		CHECKED BY CGOH	DATE 2009/09/03	<b>molex</b>				
		2 PLACES ± 0.20 ± ---		APPROVED BY BOKOK	DATE 2009/09/03	MATERIAL NO. <b>78528-0001</b>	DOCUMENT NO. <b>SD-78528-001</b>	SHEET NO. <b>2 OF 6</b>		
		1 PLACE ± --- ± ---		DRAFT WHERE APPLICABLE MUST REMAIN WITHIN DIMENSIONS		SIZE <b>A3</b>		THIS DRAWING CONTAINS INFORMATION THAT IS PROPRIETARY TO MOLEX INCORPORATED AND SHOULD NOT BE USED WITHOUT WRITTEN PERMISSION		
		0 PLACE ± --- ± ---								



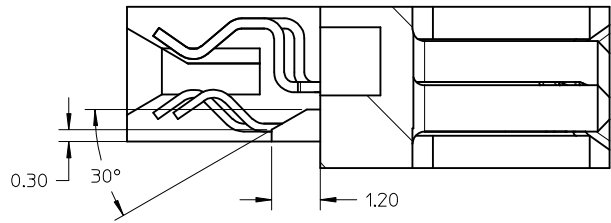
SECTION Y-Y



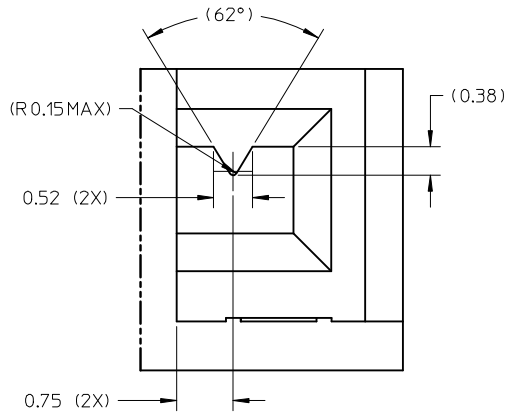
SECTION X-X

SEE SHEET 2 EC NO: S2013-0183 DRWN:GMENARLY 2012/10/02 CHKD:SCHEONG 2012/10/08 APPR:BOKOK 2012/10/08	DESCRIPTION REV	QUALITY SYMBOLS F <sub>A</sub> =0 F <sub>C</sub> =0 F <sub>B</sub> =0	GENERAL TOLERANCES (UNLESS SPECIFIED)		DIMENSION STYLE MM ONLY		SCALE NTS	DESIGN UNITS METRIC	THIRD ANGLE PROJECTION			
				mm	INCH	DRAWN BY GMENARLY	DATE 2009/07/16	TITLE MICROSAS PLUG R/A, STRADDLE MOUNT VELA				
				4 PLACES	± ---	± ---	CHECKED BY CGOH	DATE 2009/09/03	<b>molex</b>			
				3 PLACES	± ---	± ---	APPROVED BY BOKOK	DATE 2009/09/03				
	2 PLACES	± 0.20	± ---	MATERIAL NO. 78528-0001		DOCUMENT NO. SD-78528-001		SHEET NO. 3 OF 6				
	1 PLACE	± ---	± ---	ANGULAR ± 3 °		THIS DRAWING CONTAINS INFORMATION THAT IS PROPRIETARY TO MOLEX INCORPORATED AND SHOULD NOT BE USED WITHOUT WRITTEN PERMISSION						
	0 PLACE	± ---	± ---	DRAFT WHERE APPLICABLE MUST REMAIN WITHIN DIMENSIONS								

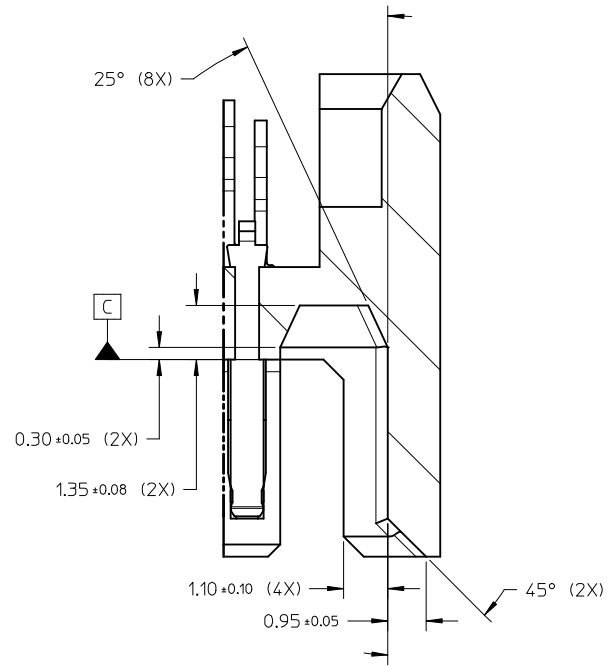
10 9 8 7 6 5 4 3 2 1



SECTION V-V



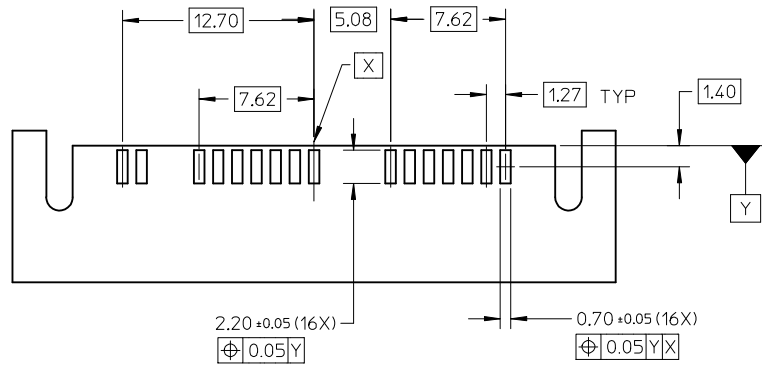
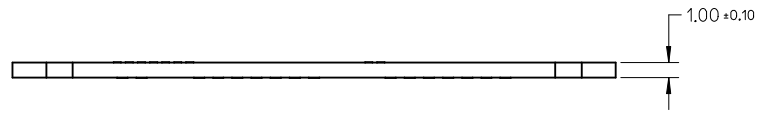
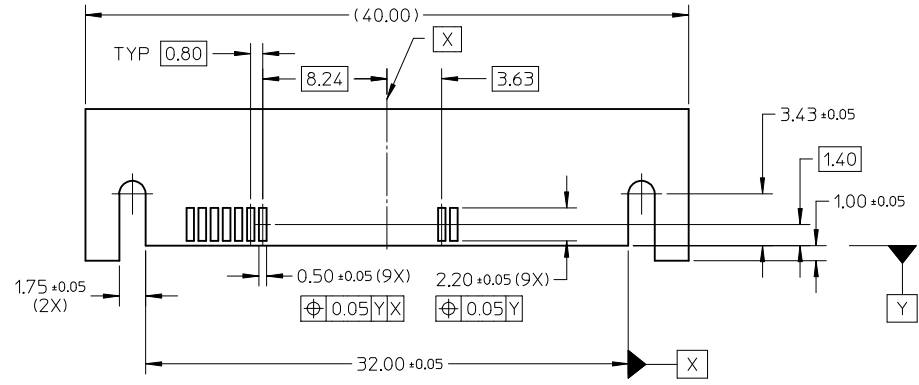
DETAIL1



SECTION W-W  
PARTIAL1

SEE SHEET 2 EC NO: S2013-0183 DRWG:GMENARLY 2012/10/02 CHKD:SCHEONG 2012/10/08 APPR:BOOKOK 2012/10/08	QUALITY SYMBOLS	GENERAL TOLERANCES (UNLESS SPECIFIED)		DIMENSION STYLE MM ONLY		SCALE NTS	DESIGN UNITS METRIC	THIRD ANGLE PROJECTION	
	$\nabla_{\text{A}}=0$	mm	INCH	DRAWN BY	DATE	TITLE			
	$\nabla_{\text{B}}=0$	4 PLACES ± --- ± ---	GMENARLY	2009/07/16	MICROSAS PLUG R/A, STRADDLE MOUNT VELA				
	$\nabla_{\text{C}}=0$	3 PLACES ± --- ± ---	CHECKED BY	DATE	<b>molex</b>				
$\nabla_{\text{D}}=0$	2 PLACES ± 0.20 ± ---	CGOH	2009/09/03	MATERIAL NO.					
	1 PLACE ± --- ± ---	DRAFT WHERE APPLICABLE MUST REMAIN WITHIN DIMENSIONS		78528-0001		SD-78528-001		4 OF 6	
	0 PLACE ± --- ± ---			SIZE A3		THIS DRAWING CONTAINS INFORMATION THAT IS PROPRIETARY TO MOLEX INCORPORATED AND SHOULD NOT BE USED WITHOUT WRITTEN PERMISSION			

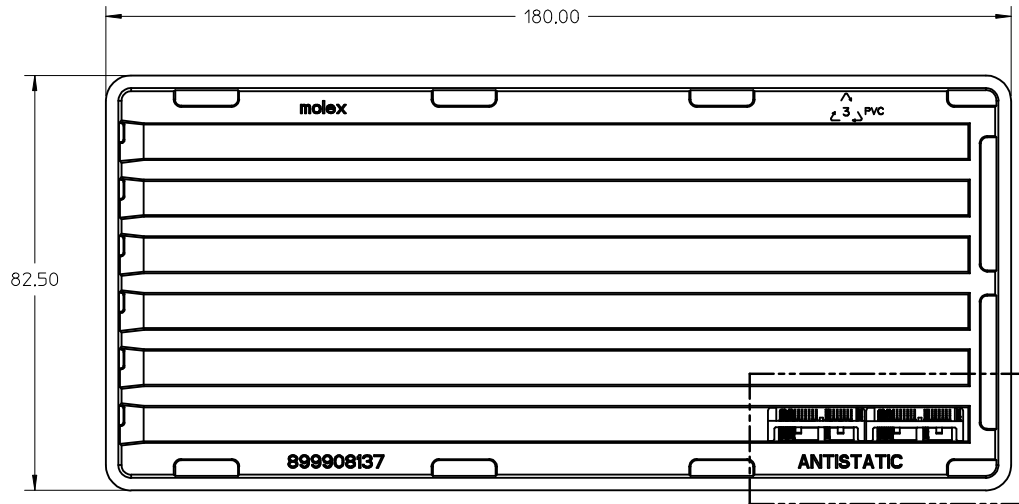
9 8 7 6 5 4 3 2 1



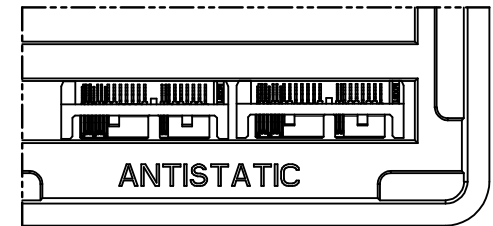
RECOMMENDED PCB LAYOUT

SEE SHEET 2 EC NO: S2013-0183 DRAWN: GMENARLY 2012/10/02 CHKD: SCHEONG 2012/10/08 APPR: BOKOK 2012/10/08	QUALITY SYMBOLS	GENERAL TOLERANCES (UNLESS SPECIFIED)		DIMENSION STYLE MM ONLY		SCALE NTS	DESIGN UNITS METRIC	THIRD ANGLE PROJECTION																													
	$F_A=0$ $F_C=0$ $F_P=0$	<table border="1"> <thead> <tr> <th></th> <th>mm</th> <th>INCH</th> </tr> </thead> <tbody> <tr> <td>4 PLACES</td> <td>± ---</td> <td>± ---</td> </tr> <tr> <td>3 PLACES</td> <td>± ---</td> <td>± ---</td> </tr> <tr> <td>2 PLACES</td> <td>± 0.20</td> <td>± ---</td> </tr> <tr> <td>1 PLACE</td> <td>± ---</td> <td>± ---</td> </tr> <tr> <td>0 PLACE</td> <td>± ---</td> <td>± ---</td> </tr> </tbody> </table>		mm	INCH	4 PLACES	± ---	± ---	3 PLACES	± ---	± ---	2 PLACES	± 0.20	± ---	1 PLACE	± ---	± ---	0 PLACE	± ---	± ---	<table border="1"> <thead> <tr> <th>DRAWN BY</th> <th>DATE</th> </tr> </thead> <tbody> <tr> <td>GMENARLY</td> <td>2009/07/16</td> </tr> <tr> <th>CHECKED BY</th> <th>DATE</th> </tr> <tr> <td>CGOH</td> <td>2009/09/03</td> </tr> <tr> <th>APPROVED BY</th> <th>DATE</th> </tr> <tr> <td>BOKOK</td> <td>2009/09/03</td> </tr> </tbody> </table>	DRAWN BY	DATE	GMENARLY	2009/07/16	CHECKED BY	DATE	CGOH	2009/09/03	APPROVED BY	DATE	BOKOK	2009/09/03	TITLE MICROSAS PLUG R/A, STRADDLE MOUNT VELA		DOCUMENT NO. SD-78528-001	SHEET NO. 5 OF 6
		mm	INCH																																		
	4 PLACES	± ---	± ---																																		
3 PLACES	± ---	± ---																																			
2 PLACES	± 0.20	± ---																																			
1 PLACE	± ---	± ---																																			
0 PLACE	± ---	± ---																																			
DRAWN BY	DATE																																				
GMENARLY	2009/07/16																																				
CHECKED BY	DATE																																				
CGOH	2009/09/03																																				
APPROVED BY	DATE																																				
BOKOK	2009/09/03																																				
DRAFT WHERE APPLICABLE MUST REMAIN WITHIN DIMENSIONS	MATERIAL NO. 78528-0001	THIS DRAWING CONTAINS INFORMATION THAT IS PROPRIETARY TO MOLEX INCORPORATED AND SHOULD NOT BE USED WITHOUT WRITTEN PERMISSION																																			

# PACKAGING INFORMATION



PART ORIENTATION IN TRAY



DETAIL2

DETAIL2

NOTES:

1. MATERIAL : PVC - CLEAR, ANTISTATIC
2. QTY PER TRAY : 54PCS

SEE SHEET 2 EC NO: S2013-0183 DRWN:GMENARLY 2012/10/02 CHK'D:SICHEONG 2012/10/08 APPR:BOKOK 2012/10/08	DESCRIPTION QUALITY SYMBOLS $F_{\Delta} = 0$ $F_C = 0$ $F_P = 0$	GENERAL TOLERANCES (UNLESS SPECIFIED)		DIMENSION STYLE MM ONLY		SCALE NTS	DESIGN UNITS METRIC	THIRD ANGLE PROJECTION	
			mm	INCH	DRAWN BY GMENARLY	DATE 2009/07/16	TITLE MICROSAS PLUG R/A, STRADDLE MOUNT VELA		
		4 PLACES	± ---	± ---	CHECKED BY CGOH	DATE 2009/09/03			
		3 PLACES	± ---	± ---	APPROVED BY BOKOK	DATE 2009/09/03			
2 PLACES	± 0.20	± ---	MATERIAL NO. 78528-0001		DOCUMENT NO. SD-78528-001	SHEET NO. 6 OF 6			
1 PLACE	± ---	± ---	DRAFT WHERE APPLICABLE MUST REMAIN WITHIN DIMENSIONS						
0 PLACE	± ---	± ---	THIS DRAWING CONTAINS INFORMATION THAT IS PROPRIETARY TO MOLEX INCORPORATED AND SHOULD NOT BE USED WITHOUT WRITTEN PERMISSION						