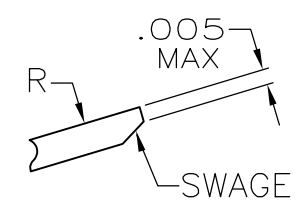
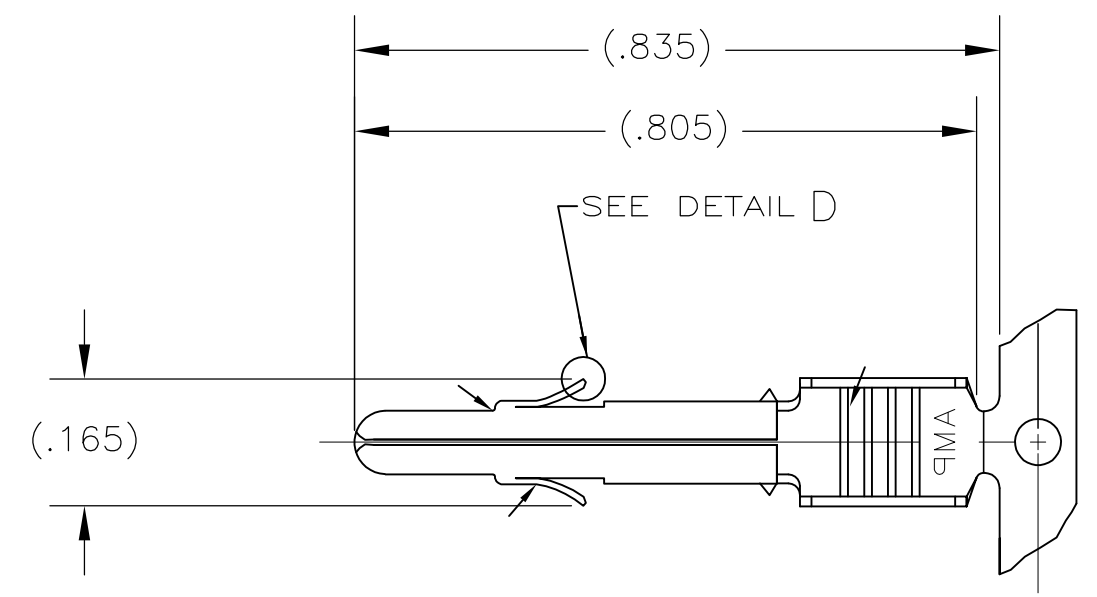


THIS DRAWING IS UNPUBLISHED. RELEASED FOR PUBLICATION
 © COPYRIGHT - By - ALL RIGHTS RESERVED.

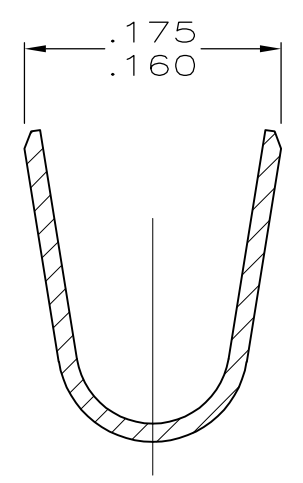
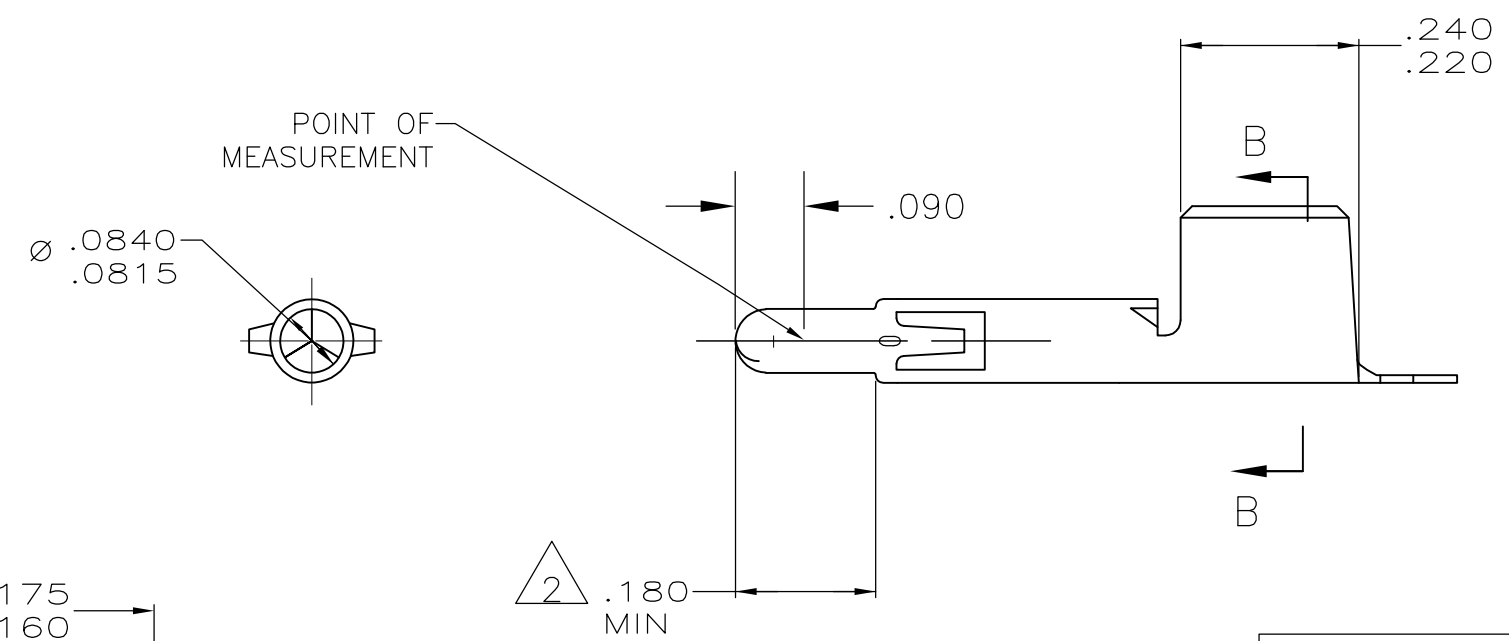
LOC	DIST	REVISIONS			
P	LTR	DESCRIPTION	DATE	DWN	APVD
CM	00				
	Y2	REVISED PER ECO-11-020508	11OCT11	JR	TM
	Y3	REVISED PER ECR-14-004102	28MAR14	AV	KD



DETAIL C
SCALE 20:1



1. WIRE RANGE : 12-10 AWG
INSULATION RANGE: .200 DIA MAX
(LIMITED BY THE CONNECTOR HOUSING CAVITY).
- 2 PLATED WITH .000030 GOLD, OVER
.000050 NICKEL UNDERPLATE.
- 3 NOTE DELETED.



SECTION B-B
SCALE 10:1

640309-6	GOLD $\triangle 2$.012 PHOS. BRZ.	350922-6
640309-3	PRE-TIN	.12 PHOS. BRZ.	350922-3
LOOSE PIECE (REF)	FINISH	MATERIAL	PART NUMBER

THIS DRAWING IS A CONTROLLED DOCUMENT.		DWN K. WHITAKER 16NOV2006	STE TE Connectivity	
DIMENSIONS: INCHES		CHK S. RIDGILL 16NOV2006		
TOLERANCES UNLESS OTHERWISE SPECIFIED:		APVD S. RIDGILL 16NOV2006	NAME PIN, UNIVERSAL MATE-N-LOK(TM)	
0 PLC ± -		PRODUCT SPEC	-	
1 PLC ± -		APPLICATION SPEC	-	
2 PLC ± -		WEIGHT	-	
3 PLC ± .015		SIZE	A3	00779
4 PLC ± -		CAGE CODE	C-350922	
ANGLES ± -		DRAWING NO	G-350922	
FINISH		RESTRICTED TO	-	
MATERIAL		CUSTOMER DRAWING		
		SCALE	4:1	SHEET 1 OF 1
		REV	Y3	