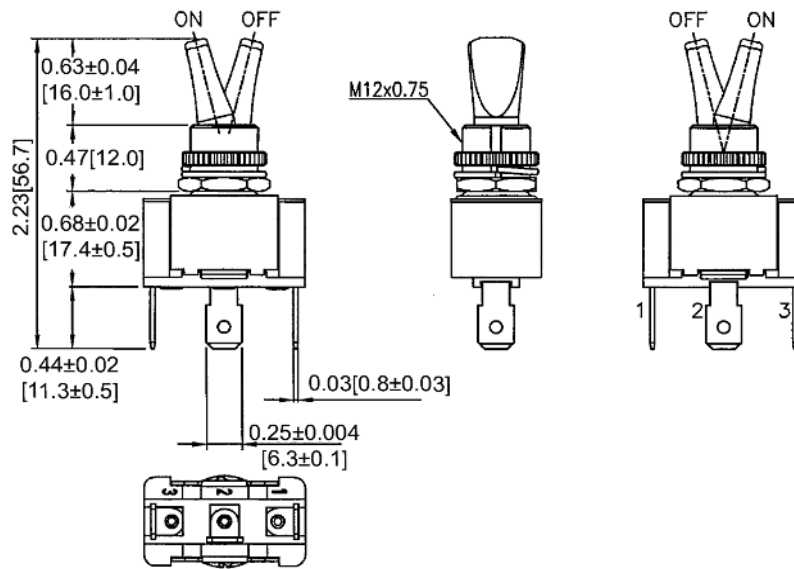
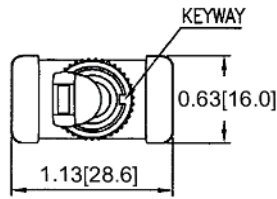
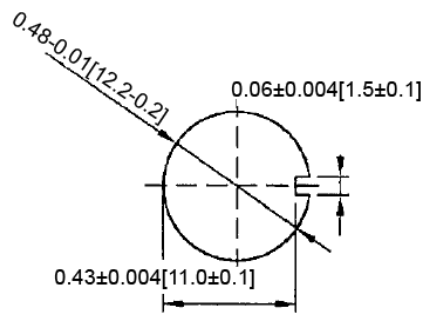


Mechanical Dimensions: Inches [mm]

Tolerances ± 0.012 [0.3] Unless Otherwise Specified



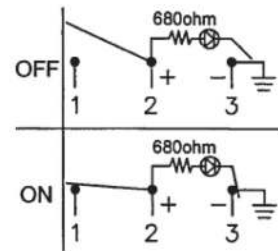
Mounting Hole



Thickness: 0.16 [4.0] max

Circuit Diagram

3P SPST OFF-ON (LED-D)



Electrical Specifications

Rating	20A 12V DC
Contact Resistance	50m ohm Max
Insulation Resistance	DC 500V 100M ohm Min
Dielectric Strength	AC 1500V 1 minute
Operation Temperature	20°C ~ 85°C

Material Specifications

1 HEX NUT ASSY	
1 SPRING WASHER ASSY	
1 KNURL NUT ASSY	
LED	Blue (Dependent)

Rev **Date of issue** **Revision Notes**

Designed **Approved**

B	03-04-2020	Initial Drawing	RC	OF
---	------------	-----------------	----	----