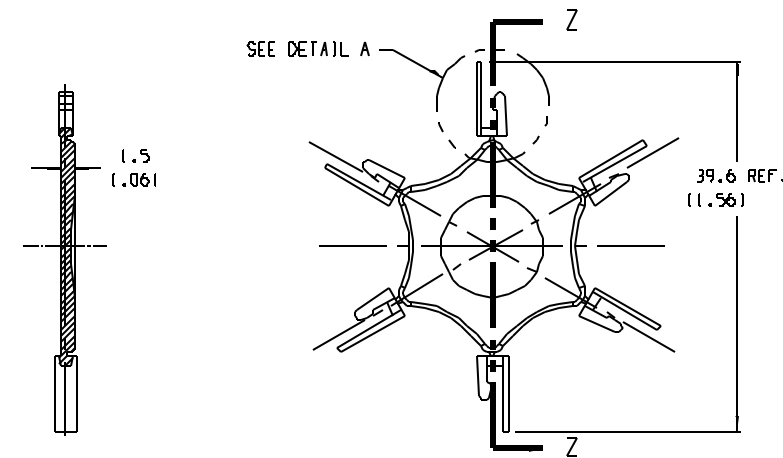
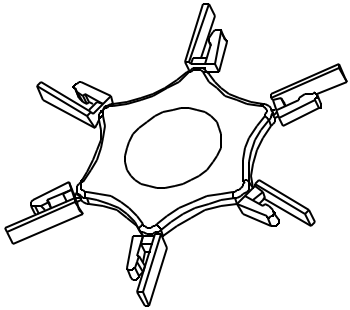


10 9 8 7 6 5 4 3 2

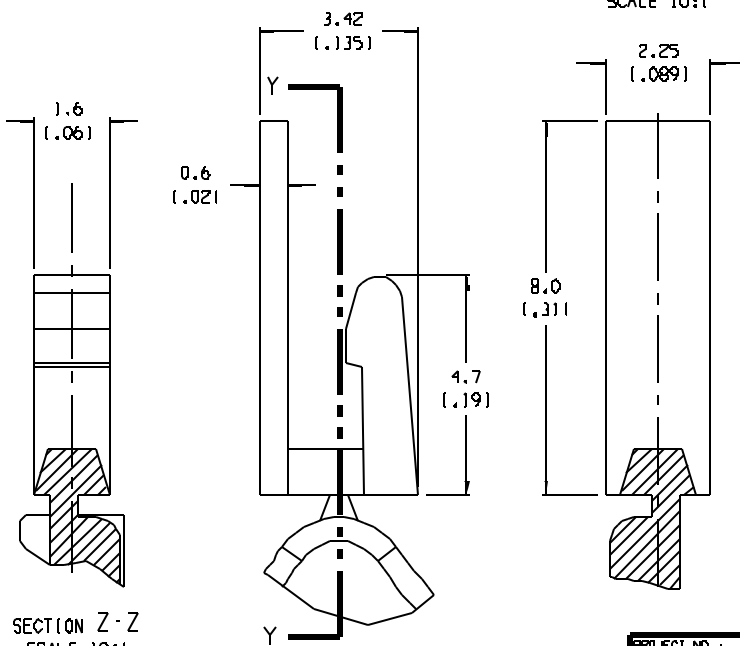
F
E
D
C
B
A



SECTION Z-Z



DETAIL A
SCALE 10:1



SECTION Z-Z
SCALE 10:1

- NOTES:
1. MATERIAL: SEE TABLE
 2. FINISHES: SEE TABLE
 3. PRODUCT SPECIFICATION: NOT REQUIRED
 4. PACKAGING: NOT REQUIRED
 5. MATES WITH: NONE

HEADER CODING PIN	THERMOPLASTIC	RED
DESCRIPTION	MATERIAL	FINISH

EC NO. RELEASED CLY DRWN: CH'K: APPR:	DESCRIPTION MAJOR CRITICAL SPEC S	GENERAL TOLERANCES (UNLESS SPECIFIED)		SCALE 2:1	DESIGN UNITS <input type="checkbox"/> MM <input checked="" type="checkbox"/> INCH	THIRD ANGLE PROJECTION	PROJECT NO. - - - DIMENSIONS: <input checked="" type="checkbox"/> DIM INCH <input type="checkbox"/> INCH <input type="checkbox"/> MM <input type="checkbox"/> MM ONLY	SHEET REV SHEET NO. 1 OF 1
		4 PLACES ±.0015 3 PLACES ±.038 ±.005 2 PLACES ±.13 ±.01 1 PLACE ±.3	ANGLE: ±2°	DRAWN BY & DATE C. YORK 03-04-04	CHECKED BY & DATE	APPROVED BY & DATE	TITLE: HEADER CODING PINS, 42 AND 86 SERIES POLARIZED HEADERS	MOLEX INCORPORATED
A	REV	DRAFT WHERE APPLICABLE MUST REMAIN WITHIN DIMENSIONS		THIS DRAWING CONTAINS INFORMATION THAT IS PROPRIETARY TO MOLEX INCORPORATED AND SHOULD NOT BE USED WITHOUT WRITTEN PERMISSION.			SIZE B	