

Data sheet

PC board jack M12, A-coded, 4-pole, IP67,
in unmated condition, potted

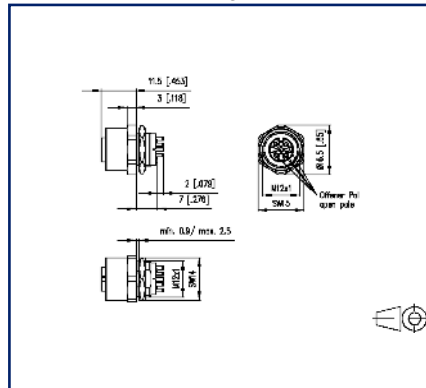
Page 1/4

P/N
MMT361A715-0009
EAN 4251394631967
2023/07/04
Version: J

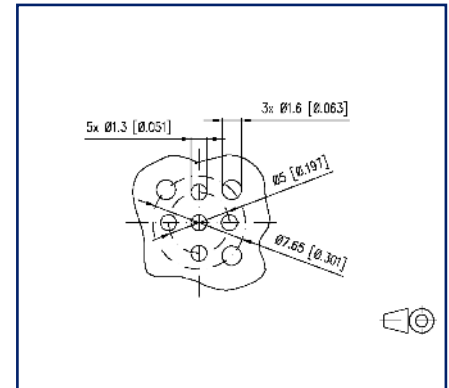
Illustrations



Dimensional drawing



Drill pattern



See enlarged drawings at the end of document

Product specification

- PC board jack M12
- Front wall mounting
- 4-pole, A-coded according to IEC 61076-2-101
- THR solderable
- Top entry
- Contact carriers black
- IP67 in unmated condition
- suitable for applications in the railway industry according to data sheet

Data sheet
PC board jack M12, A-coded, 4-pole, IP67,
in unmated condition, potted

Technical Data

General Data

| | |
|-------------------|------------------------------------|
| Dimensions | |
| Dimension (D x H) | Ø 16.5 mm x 20.5 mm |
| Dimension (D x H) | 0.65 in. x 0.807 in. |
| Ports | Single port |
| Solderability | Acc. to IPC/JEDEC J-STD-020E-MSL 1 |
| Coding | A-coded |

Electrical characteristics

| | |
|------------------------------------|---------------|
| Rated voltage | 250 V |
| Current carrying capacity at 40 °C | 4 A |
| Insulation resistance | min. 100 MOhm |
| Overvoltage category | II |
| Degree of pollution | 2 |

Mechanical data

| | |
|-----------------------------------|-----------------|
| Material | |
| Material - Housing | CuZnPb |
| Material - Contact | CuZnPb |
| Contact surface | Ni + Au |
| Material - Insulating body | LCP UL94 V0 |
| Color | black |
| RoHS | compliant |
| Life - Number of mating cycles | >= 100 |
| Tightening torque - Plug | 0,6 - 1 Nm |
| Tightening torque - Jack mounting | 3 Nm +/- 0,5 Nm |
| Protection category | IP 67 |

Climatic properties

| | |
|----------------------------|-----------------|
| Temperature - Operating °C | -25 °C - 85 °C |
| Temperature - Operating °F | -13 °F - 185 °F |

Data sheet

Page 3/4

**PC board jack M12, A-coded, 4-pole, IP67,
in unmated condition, potted**

P/N

MMT361A715-0009

EAN 4251394631967

2023/07/04

Version: J

Technical Data

Packaging

Type of packaging 10 pc(s) / blister packaging

Standards/Regulations

Railway applications

| | |
|--|--|
| Electronic equipment used on rolling stock | following to DIN EN 50155 |
| Fire protection on railway vehicles | following to DIN EN 45545-2 |
| Contact holder | Thermoplastic |
| Sealings | Elastomer |
| Shock and vibration | DIN EN 50155:2018-05, DIN EN 61373:2011-04 Class 1 Category B |
| Salt spray | DIN EN 50155:2018-05, (DIN EN 60068-2-11:2000-02/ 48h test KA) |

Classifications

| | |
|----------|----------|
| ETIM 7.0 | EC002637 |
| ETIM 8.0 | EC002637 |



U | Contact

Data sheet

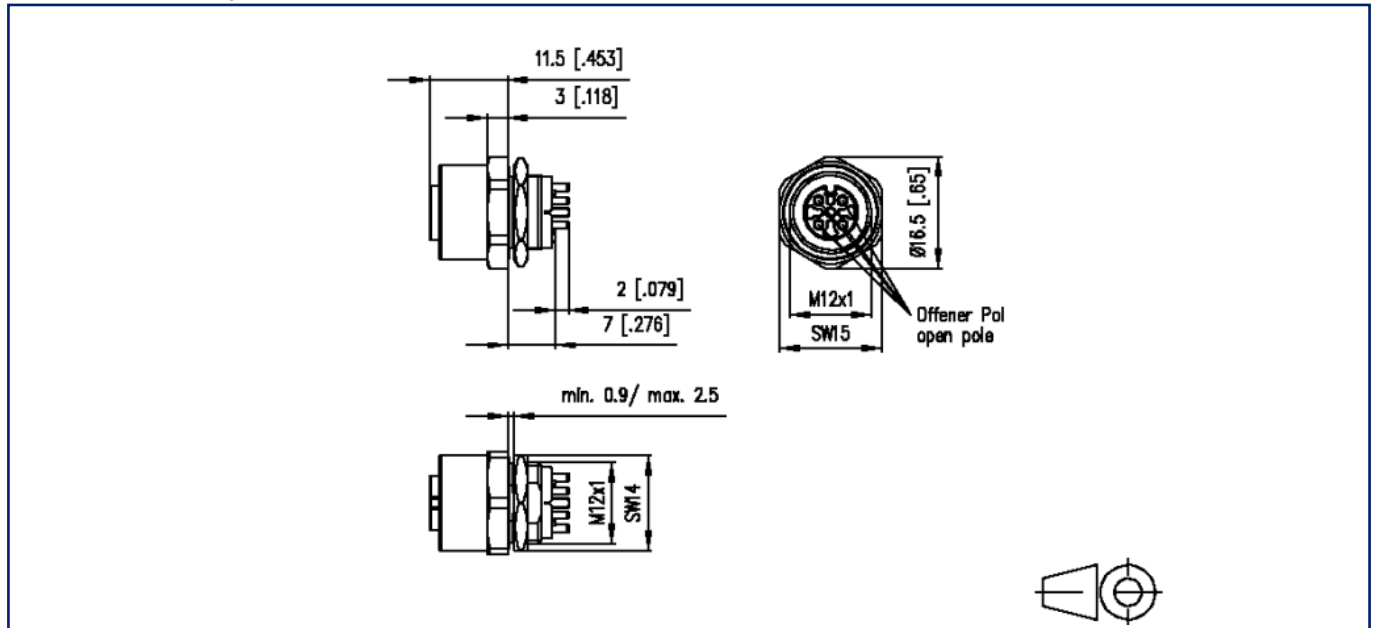
**PC board jack M12, A-coded, 4-pole, IP67,
in unmated condition, potted**

Page 4/4

P/N
MMT361A715-0009
EAN 4251394631967
2023/07/04
Version: J

Illustrations

Dimensional drawing



Drill pattern

