

**ebm-papst St. Georgen GmbH & Co. KG**

Hermann-Papst-Str. 1

D-78112 St. Georgen

Phone +49 (0) 7724 81-0

Fax +49 (0) 7724 81-1309

info2@de.ebmpapst.com

www.ebmpapst.com

Nominal data

| Type | 614 NHH | |
|--------------------------|-------------------|----------|
| Nominal voltage | VDC | 24 |
| Nominal voltage range | VDC | 18 .. 26 |
| Speed (rpm) | min ⁻¹ | 6850 |
| Power consumption | W | 2.9 |
| Min. ambient temperature | °C | -20 |
| Max. ambient temperature | °C | 70 |
| Air flow | m ³ /h | 56 |
| Sound power level | B | 5.7 |
| Sound pressure level | dB(A) | 41 |

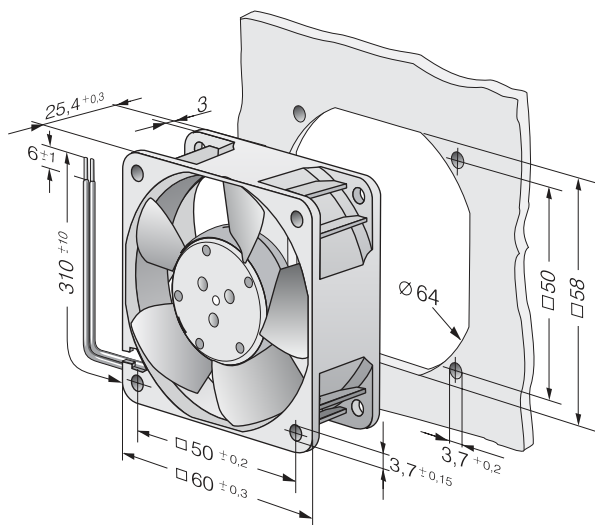
ml = Max. load · me = Max. efficiency · fa = Free air · cs = Customer specification · ce = Customer equipment
 Subject to change



Technical description

| | |
|--|--|
| Housing material | Glass-fiber reinforced PBT plastic |
| Impeller material | Glass-fiber reinforced PA plastic |
| Weight | 0.066 kg |
| Dimensions | 60 x 60 x 25 mm |
| Airflow direction | Exhaust over struts |
| Direction of rotation | Clockwise, viewed toward rotor |
| Storage | Ball bearing |
| Service life L10 at 40 °C | 60000 h |
| Service life L10 at maximum temperature | 30000 h |
| Cable | Leads AWG 22, TR 64, stripped and tin-plated. |
| Motor protection | Protection against reverse polarity and blocked rotor. |
| Locked-rotor protection | With electronic locked-rotor and overload protection |
| Approval | VDE, CSA, UL, CE |
| Option | Possible custom designs: Speed signal Go / No-go alarm Moisture protection Degree of protection: IP54 / IP68 |

Product drawing



Curves: Air performance

