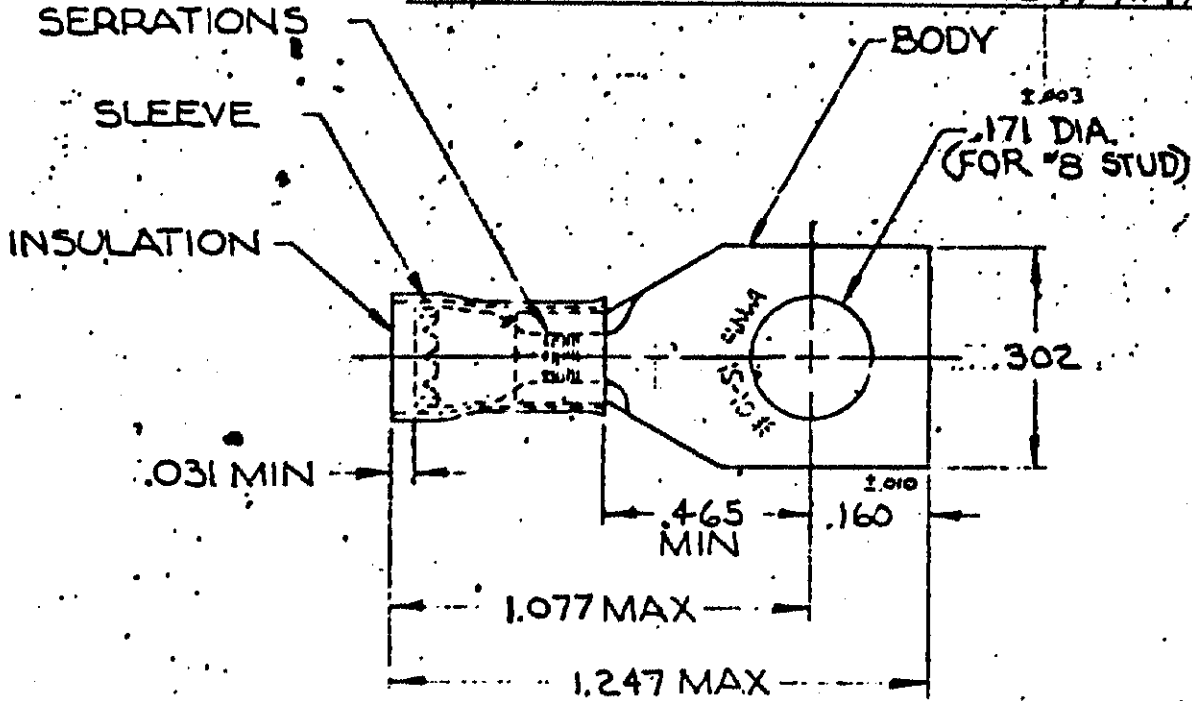


DRAWING MADE IN AMERICAN PROJECTION

LOC **G** PRINT DIST **14**


© 1964 BY AMP INCORPORATED, ALL RIGHTS RESERVED. AMP PRODUCTS COVERED BY PATENTS AND/OR PATENTS PENDING.

REVISIONS			
LTR	DESCRIPTION	DATE	APPROVED
A	REDRAWN, REV ADDED TAPE NO. PL204	5/14/70	Jme
B	REV PER G-4732	11/12/78	Pjt
C	REV PER G-5646	1/21/91	ME



TONGUE MATERIAL THK .040 FOR .150 TO .230 WIRE INS DIA

RECORD PRINT
RETURN TO FILE

1	331268 ON TAPE	2-331268-1	INSULATION: NYLON COLOR: YELLOW SLEEVE: COPPER (QQ-C-576)
1	WIRE TERMINAL	331268	BODY: COPPER (QQ-C-576) TIN PL (MIL-T-10727)
QTY	DESCRIPTION	PART NO.	MATERIAL & FINISH
UNLESS OTHERWISE SPECIFIED DIMENSIONS ARE IN INCHES TOLERANCES ON: DECIMALS ±.008 ANGLES 1.5°		CONTRACT NO.	 AMP INCORPORATED HARRISBURG, PENNSYLVANIA
MATERIAL		DR. <i>Stewart</i> 5-13-70 CHK <i>Mr. Engen</i> 5-14-70 APPO <i>Swahel</i> 5-14-70 REL <i>Huang</i> 5-14-70 DSGN APPD OTHER APPD	
SEE TABLE		SIZE A	CODE IDENT NO. 00779
		NUMBER	331268
		SHEETS	SHEET 1 OF 1