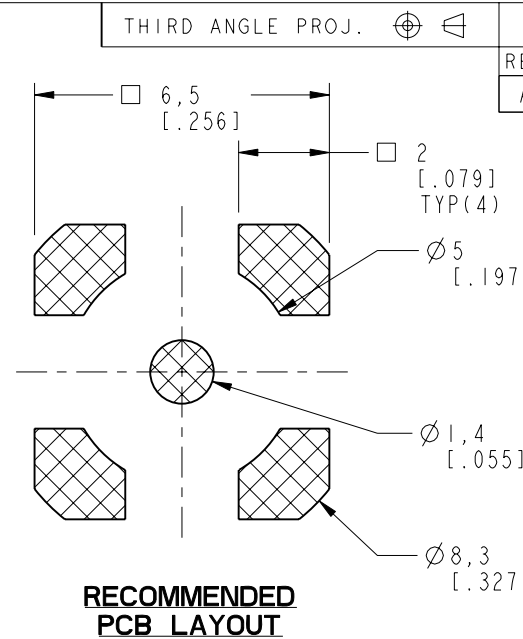


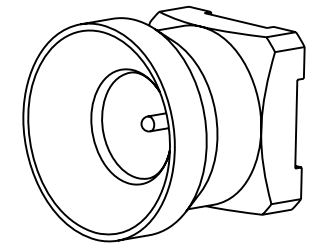
NOTES:

1. MATERIAL AND FINISHES:  
 BODY & CONTACT PIN - BRASS, GOLD PLATING  
 INSULATOR - LCP, NATURAL
2. ELECTRICAL:  
 A. IMPEDANCE: 50 OHM  
 B. FREQUENCY RANGE: DC - 6 GHz  
 C. RETURN LOSS (VSWR): 20dB (1.22) @ DC -3 GHz  
 17dB (1.33) @ 3 - 6 GHz  
 D. CONTACT RESISTANCE: CENTER CONTACT 5 mΩ MAX.  
 OUTER CONTACT 5 mΩ MAX.  
 E. DIELECTRIC WITHSTANDING VOLTAGE: 1000 VRMS, MIN.  
 F. INSERTION LOSS: 0.1dB @ DC-3GHz  
 G. INSULATION RESISTANCE: 5000 MΩ MIN.  
 H. POWER HANDLING: 40 W @ 2.6 GHz AT 95°C  
 120 W @ 2.5 GHz AT 95°C

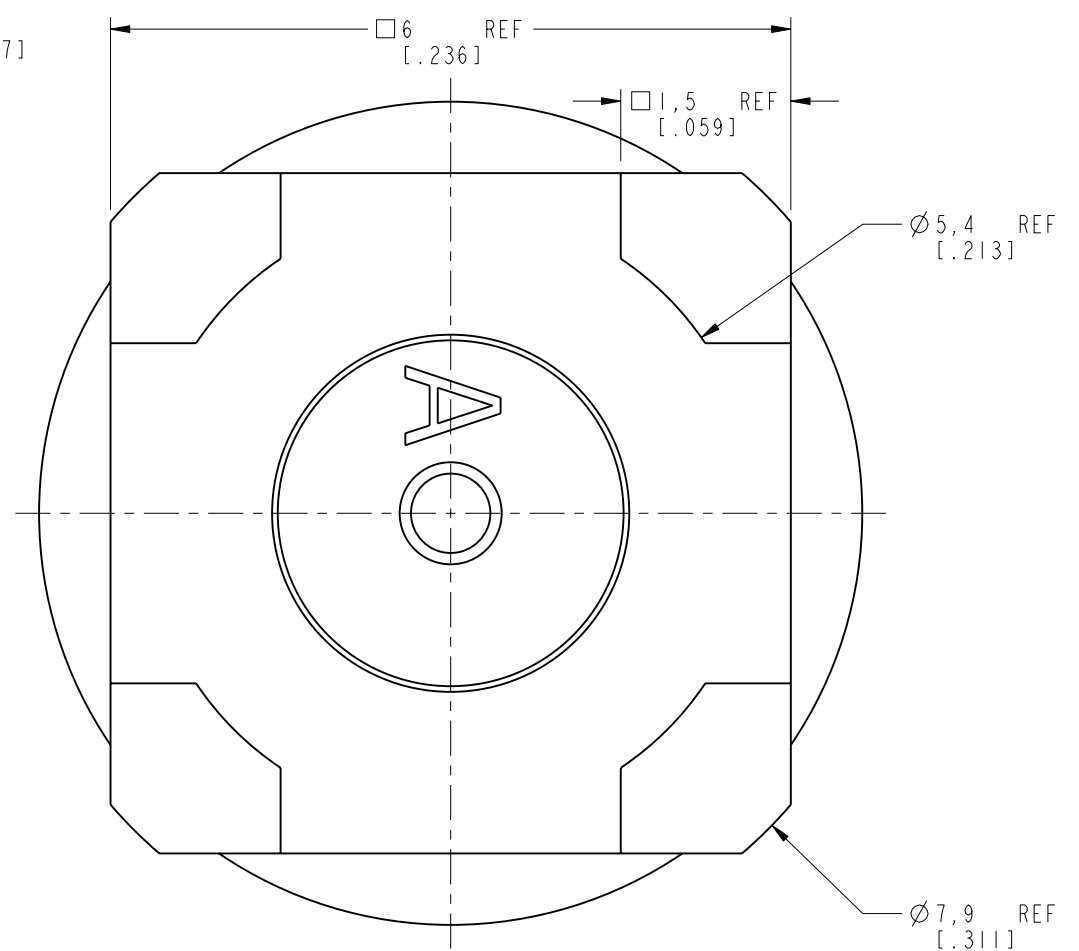
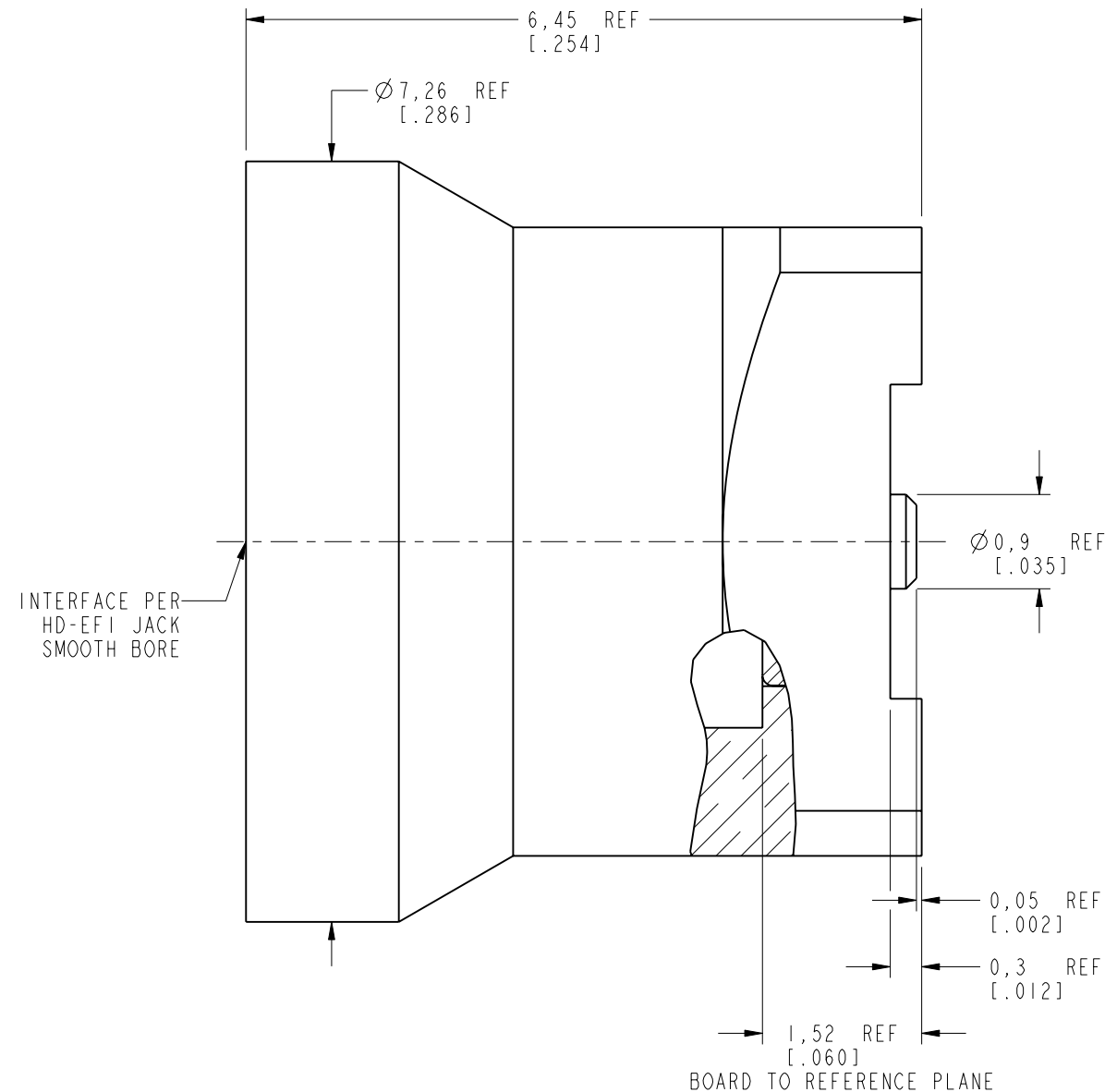
3. MECHANICAL:  
 A. MATING CYCLES: 200 MIN.  
 B. TEMPERATURE RANGE: -45°C TO +125°C
4. PACKAGING:  
 A. PACKAGE IN 50 PIECES TRAYS  
 B. MARK TRAY: "AMPHENOL RF,  
 920-501J-53P, DATE CODE"



| REV |  | DESCRIPTION     | DATE      | ECO   | APPR |
|-----|--|-----------------|-----------|-------|------|
| A   |  | RELEASE TO MFG. | 29-May-18 | 08168 | BMG  |



SCALE 4.000



**CUSTOMER OUTLINE DRAWING**  
 ALL OTHER SHEETS ARE FOR INTERNAL USE ONLY

|   |  |          |          |            |                                   |   |
|---|--|----------|----------|------------|-----------------------------------|---|
| UNLESS OTHERWISE SPECIFIED, DIMENSIONS ARE IN METRIC AND TOLERANCES ARE:<br><0.5mm ±0.05mm    0.5 - 6mm ±0.1mm    6 - 30mm ±0.2mm    30 - 120mm ±0.3mm    ANGLES ±1°<br>NOTICE - These drawings, specifications, or other data (1) are, and remain the property of Amphenol corp. (2) must be returned upon request; and (3) are confidential and not to be disclosed to any person other than those to whom they are given by Amphenol Corp. the furnishing of these drawings, specifications, or other data by Amphenol Corp., or to any other person to anyone for any purpose is not to be regarded by implication or otherwise in any manner licensing, granting rights to permitting such holder or any other person to manufacture, use or sell any product, process or design, patented or otherwise, that may in any way be related to or disclosed by said drawings, specifications, or other data. | MATERIAL                                   | DRAWN    | DATE     | TITLE      | Amphenol RF<br>www.amphenolrf.com |   |
|   | SEE NOTES                                  | W. ZENG  | 3-Jul-18 |            |                                   | HD-EFI STR JACK<br>SMOOTH BORE<br>SURFACE MOUNT |
|   | REFERENCE AND CONFIGURATION LEVEL: In Work | ENGINEER | SUNDE    | DATE       | SCALE: 15.0:1.0                   | DRAWING NO. 920-501J-53P                        |
|   | FINISH                                     | APPROVED | S. HSIEH | DATE       | SHEET 2 OF 2                      | ITEM NO. 920-501J-53P                           |
|   |  |          | 9-Jul-18 | DWG SIZE B | PART NO. 920-501J-53P             |   |
|   |  |          |          | REV A      |                                   |   |