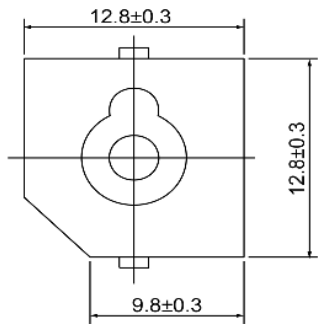
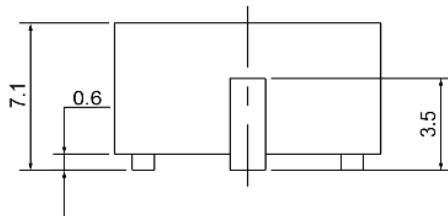


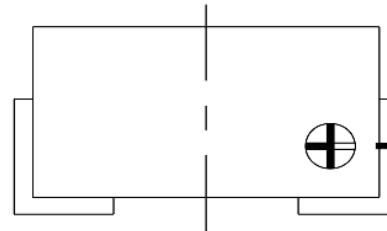
TOP VIEW



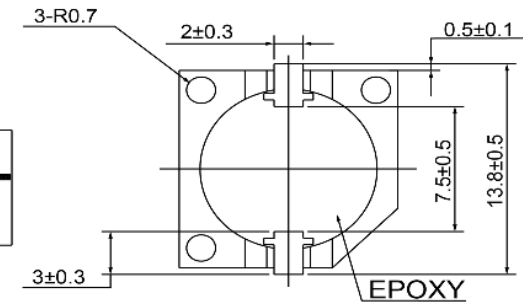
SIDE VIEW (1)





SIDE VIEW (2)



BOTTOM VIEW



Specifications			Notes	Revision History							
Description	Value	Unit		Version	Description		Date	Approved			
Technology	Electro-Mechanical		1) All dimensions are in mm unless otherwise noted 2) All parts meet RoHS	1	Released from Engineering		10/21/2013	J.S			
Resonant Frequency	2,400	(Hz)									
Rated Voltage	12	(V)									
SPL @ 10cm	85	(dBA)									
Coil Resistance	140	(ohm)									
Mount Type	Surface Mount										
Voltage Range	8 ~ 16	(V)									
Max Rated Current	40	(mA)									
Housing Material	PPS										
Operating Temperature	-30 ~ +70	°C									
Storage Temperature	-40 ~ +85	°C									
Weight	2	(g)									
 <b>DB UNLIMITED</b>			 <b>DB UNLIMITED</b>			<b>Electro-Mechanical Transducer</b>			<b>TE122412-5</b>		
						Drawn by A.B.	Date 10/21/2013	Checked by C.E.	Date 10/21/2013	Approved by J.S	Date 10/21/2013

Additional considerations can be found at [www.dbunlimitedco.com/technical-articles](http://www.dbunlimitedco.com/technical-articles).