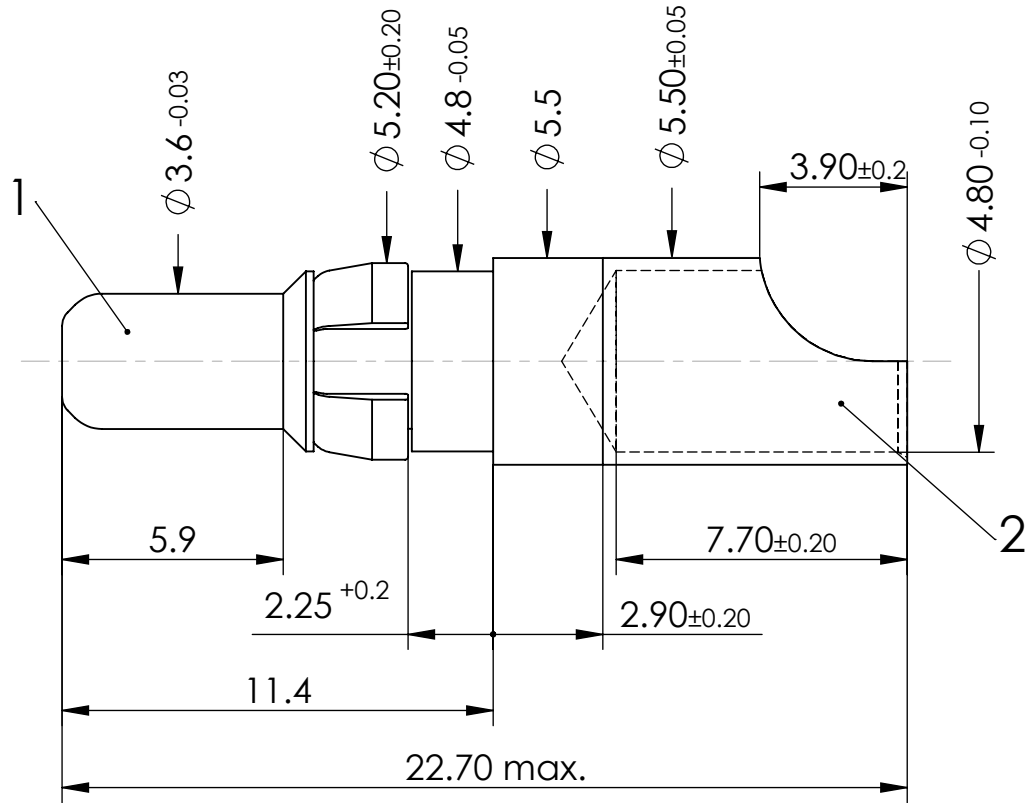
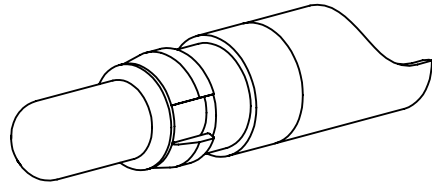


COMMENT:  
 ALL RIGHTS ARE RESERVED BY US FOR THIS DRAWING. WITHOUT OUR PRIOR CONSENT,  
 IT MAY NEITHER BE DUPLICATED NOR MADE AVAILABLE TO A THIRD PARTY,  
 AND IT ALSO MAY NOT BE IMPROPERLY USED BY THE RECEIVER, OR A THIRD PARTY.



CURRENT	40 A	HIGH POWER CONTACT	SCALE 5:1	DATA SHEET	①
FOR	D-Sub				②
DIMENSIONS IN MM		DRAWN	NAME / DATE D. Bocan 02-04-2003		
MATERIAL + FINISH SEE EXTRA SHEET		CHECKED	MTeubel 31-05-2006		
UNLESS OTHERWISE SPECIFIED DIMENSIONS FOR REFERENCE ONLY				PART NO. FMP007P	REV. 2
2	01-08-2006			11330	
REV.	DATE	INDEX	ORIGINAL: DIN A4-DRAWING AS A FILE	REPLACEMENT FOR:	PAGE: 1/1