

SPECIFICATIONS

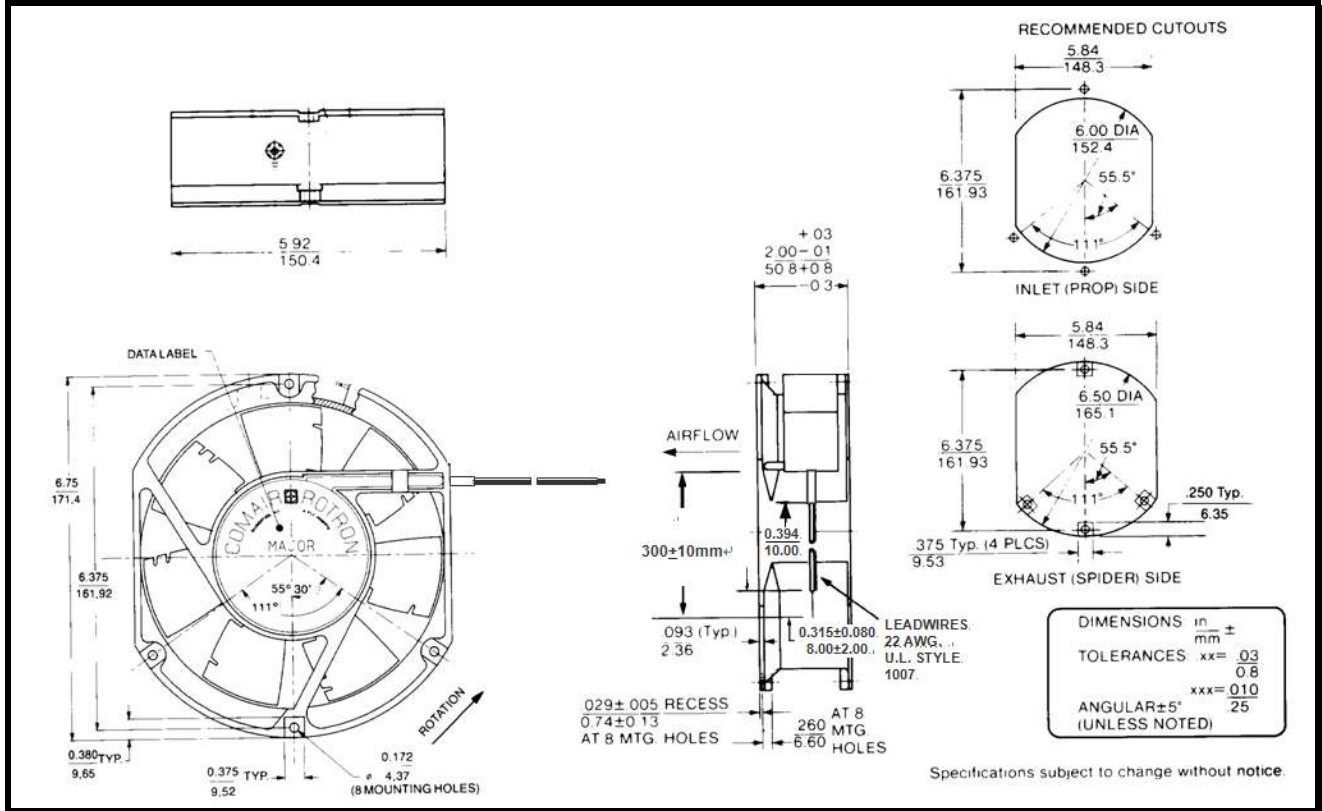
(RoHS Compliant)



Model Number: JQD24C3E6
Part Number: 16005460A

Version: 00
Apr 18, 2017

Mechanical Drawing:



Motor:

Nominal Voltage = 24 vdc
 Operating Voltage Range = 16 - 32 vdc
 Nominal Running Current = 0.60 amps
 Locked Rotor Current = 1.00 amps
 Running Power = 14.4 watts
 Average Speed = 3000 rpm
 Bearings = Ball
 Air Flow at Full Speed = 200 cfm
 Acoustics at Full Speed = 50.8dBA

Construction:

Venturi: Die-cast aluminum, Black
 Propeller: Plastic, Black, UL 94V-0

Agency Approvals:

UL, CE

Life Expectancy:

This fan is designed for continuous duty life of 75,000 hours at 40°C

Additional Features:

Brushless DC Motor
 Polarity Protected
 Locked Rotor Protection
 Automatic Restart Capability
 Operating Temperature: -10°C to 70°C
 Storage Temperature: -40°C to 85°C

Tachometer:

Output: Open Collector
 I_c: 20mA Max
 V_{cc}: 32vdc Max
 Pulse per Revolution: 2
 Isolated: No

Speed Control:

PWM: 100 ~ 20 KHz, 2.8 ~ 20 V TTL
 <5% Duty: Off
 5%~95% Duty: Linear Ramp
 >95% Duty or Open Lead Wire: Full Speed

Termination:

12" Lead wires, AWG 22, UL 1061
 Red - Power (+)
 Black - Return (-)
 Blue/White - Tachometer (Output)
 Yellow - Program (Input)