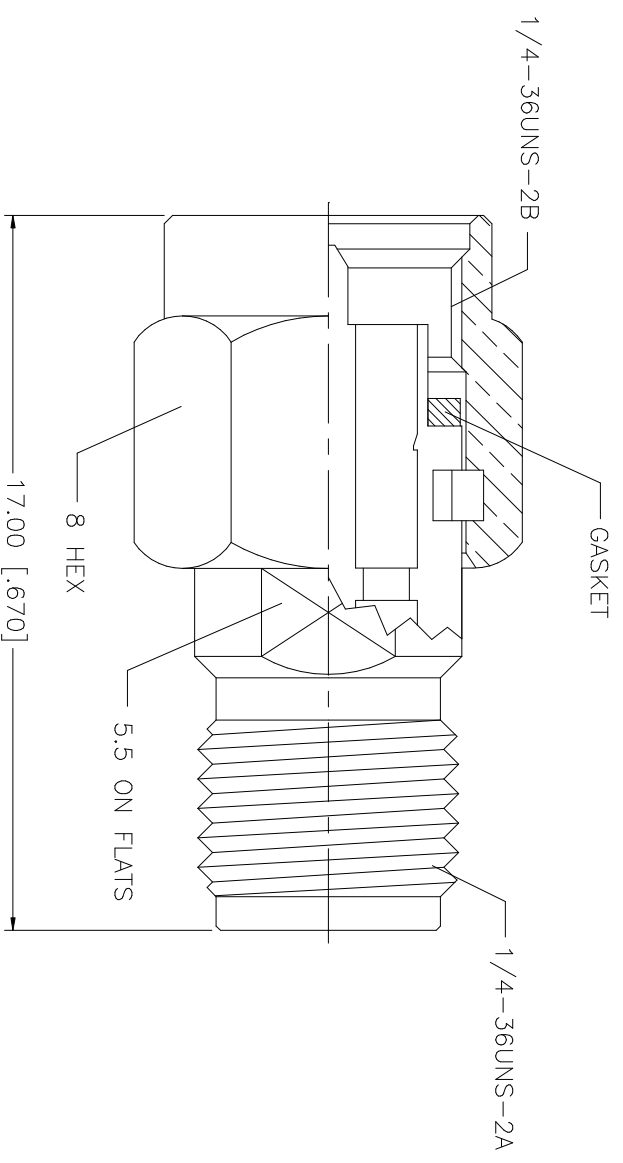


REV.	DATE	DESCRIPTION
A	06/05/03	UPDATE DRAWING FORMAT
B	01/31/06	ADD GASKET DETAIL AND X-SECTION



QTY	FINISH	MATERIAL	DESCRIPTION
1	RED	SILICONE	GASKET
1	GOLD	BER. COPPER	CONTACT PIN
1	NATURAL	TEFLON	INSULATOR
1	GOLD	BRASS	BODY/SHELL
			DESCRIPTION

APPROVALS	DATE
DRAWN G.R.S.	01/31/06
CHECKED	
ISSUED	
SHEET 1 OF 1	

PART DESCRIPTION	PART NO.
SMA MALE TO FEMALE ADAPTER	132171

UNLESS OTHERWISE SPECIFIED DIMENSIONS ARE IN INCHES AND FOR CUSTOMER REFERENCE ONLY.
UNLESS OTHERWISE SPECIFIED TOLERANCES FOR MILLIMETERS ARE: 0.5 - 8mm ± 0.20mm 8 - 30mm ± 0.40mm 30 - 120mm ± 0.50mm
UNLESS OTHERWISE SPECIFIED TOLERANCES FOR INCHES ARE: .020 - .315 = ± 0.007" .315 - 1.180 = ± 0.015" 1.180 - 4.724 = ± 0.020"
DO NOT SCALE DRAWING

QAD FILE	DWG. NO.	REV.	SIZE	SCALE
C:/132/132171.DWG	132171.DWG	B	A	NA

Amphenol Connex