


HC-M-03-MOD-ST

Order No.: 1663213

<http://eshop.phoenixcontact.de/phoenix/treeViewClick.do?UID=1663213>

HEAVYCON contact insert module, male, 3-pos., crimp connection

Commercial data

GTIN (EAN)	 4 017918 123024
sales group	D042
Pack	2 pcs.
Customs tariff	85369010
Catalog page information	Page 185 (PC-2002)

Product notesWEEE/RoHS-compliant since:
10/30/2006

<http://www.download.phoenixcontact.com>
Please note that the data given here has been taken from the online catalog. For comprehensive information and data, please refer to the user documentation. The General Terms and Conditions of Use apply to Internet downloads.

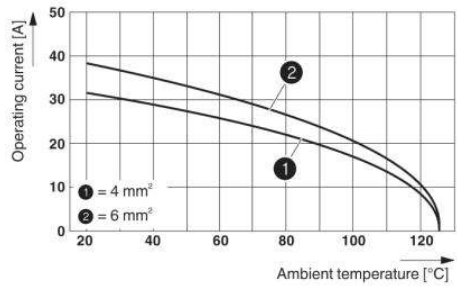
Certificates / Approvals

Certification

CSA, GOST, UL

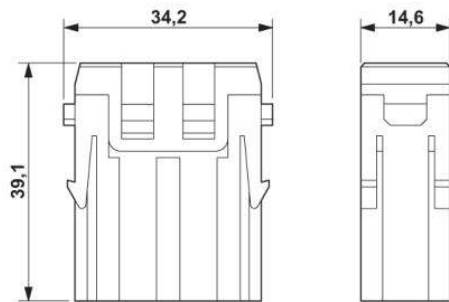
Diagrams/Drawings

Diagram



Derating diagram (6 modules in HC-B 24 housing)

Dimensioned drawing



Male insert

Address

PHOENIX CONTACT Deutschland GmbH
Flachmarktstr. 8
32825 Blomberg, Germany
Phone +49 5235 3 12000
Fax +49 5235 3 41200
<http://www.phoenixcontact.de>



© 2010 Phoenix Contact
Technical modifications reserved;