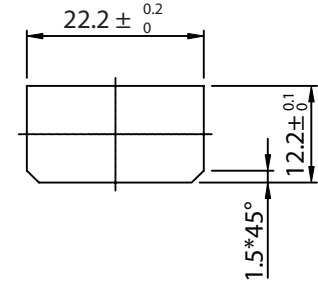
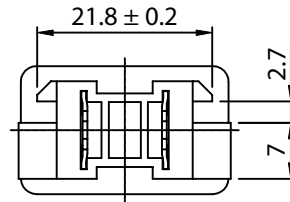
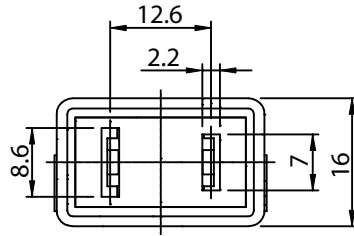
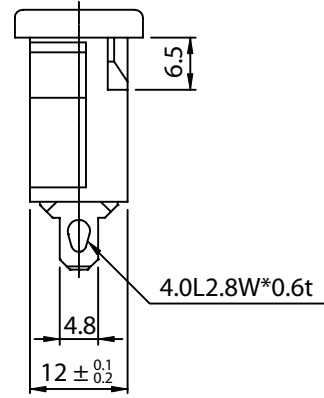
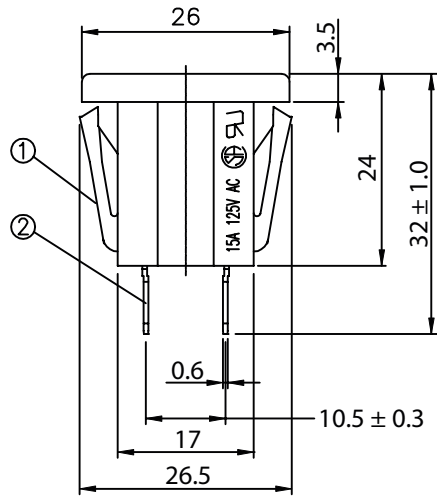


THESE DRAWINGS ARE THE PROPERTY OF QUALTEK ELECTRONICS AND NOT TO BE REPRODUCED FOR OR COMMUNICATED TO A THIRD PARTY WITHOUT THE EXPRESS WRITTEN PERMISSION OF AN OFFICER OF QUALTEK ELECTRONICS.

REVISION			
REV.	DESCRIPTION	DATE	APPROVED
B	RoHS Compliancy	06-01-06	DP
C	Updated Specifications	05-26-09	LY



PANEL CUTOUT
Panel Thickness Range: 1.0mm ~ 1.8mm



CONTROLLED

NOTES:

15A 125V AC
PANEL THICKNESS: 1.0~1.8mm
APPROVALS: UL, CSA
RoHS COMPLIANT

2	Soldering PIN(t) - 0.6mm Tin-Plated	2
1	Body Insulator PC Black Color	1
Qualtek Electronics Corp.		
PPC DIVISION		
Dim range (mm)	Tolerance +/- (mm)	Part Number: 738W-CX2/01 RoHS Compliant
0-1	0.15	Description: SNAP-IN NEMA 1-15R
1-6	0.20	
6-18	0.30	UNIT: mm
18-50	0.50	
50-120	0.70	REV. C
120-250	0.90	Drawn / Date
250-500	1.20	Checked / Date
		Approved / Date
		B.ZHANG 01-30-04
		01-30-04
		JJH / 01-30-04