

- 1
- 2
- 3
- 4
- 5
- 6
- 7
- 8
- 9
- 10
- 11
- 12
- 13
- 14
- 15
- 16
- 17
- 18

**GUIDE PROFILE**

Polyethylene based (HMWPE) technopolymer, natural colour.

**BRACKET**

AISI 304 stainless steel.

**FEATURES AND APPLICATIONS**

GLR guide rail is used to guide very unstable products on conveyor belts, such as bottles (Fig.1) or cans (Fig.2), avoiding rotation, without leaving traces on the containers.

High molecular weight polyethylene (HMWPE) has a high wear resistance; it is particularly suitable for high-speed movements due to its low coefficient of friction.

It can be used with GLP-12 guide rail.

Supplied in bars of 1500 or 3000 mm length.

**ACCESSORIES ON REQUEST**

Guide rail clamps MPG-T-S, MPG-2T, MPG-T.



Fig.1

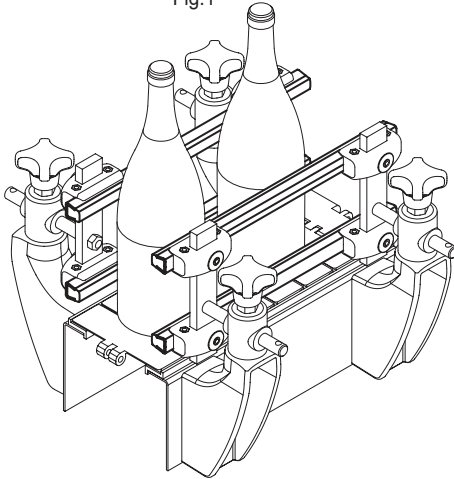
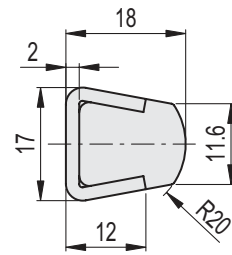
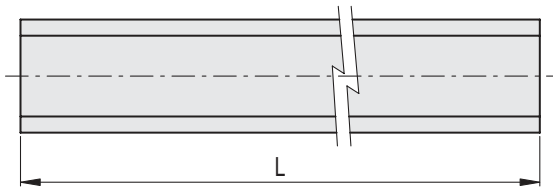
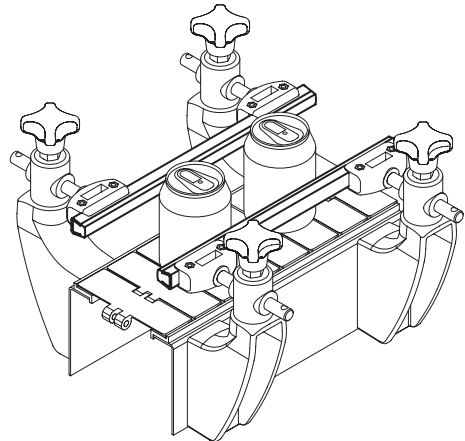


Fig.2



INOX STAINLESS STEEL METRIC

Code	Description	L	⚖️
419217	GLR-12-3000	3000	2070
419216	GLR-12-1500	1500	1038