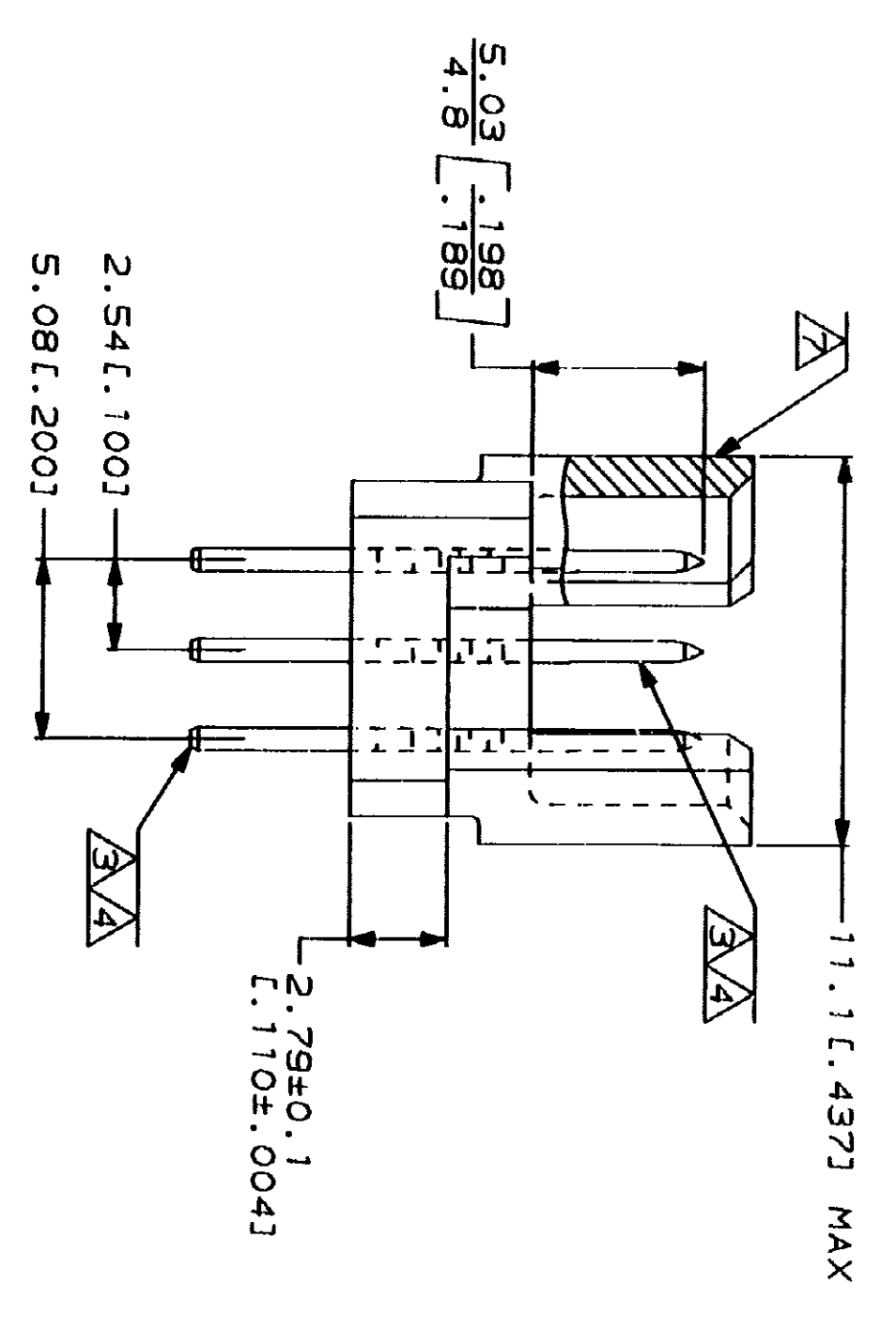
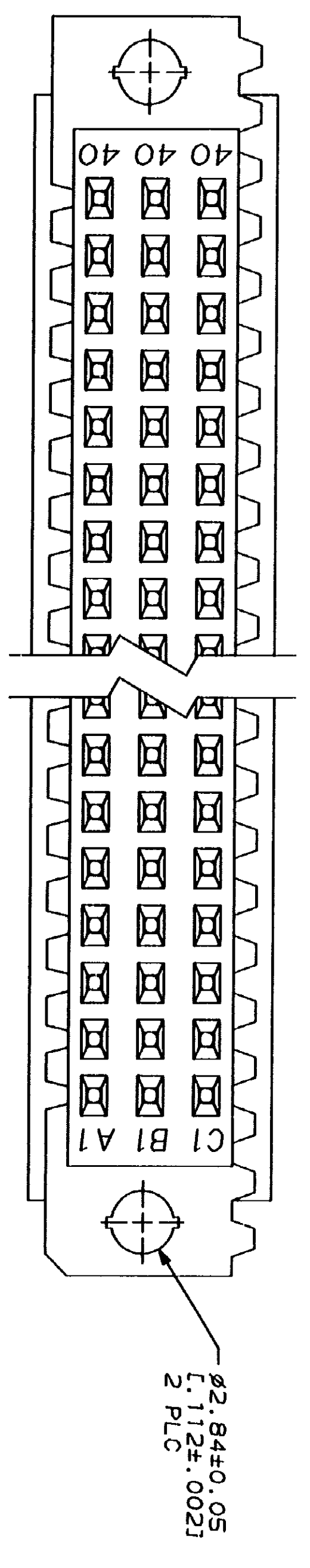
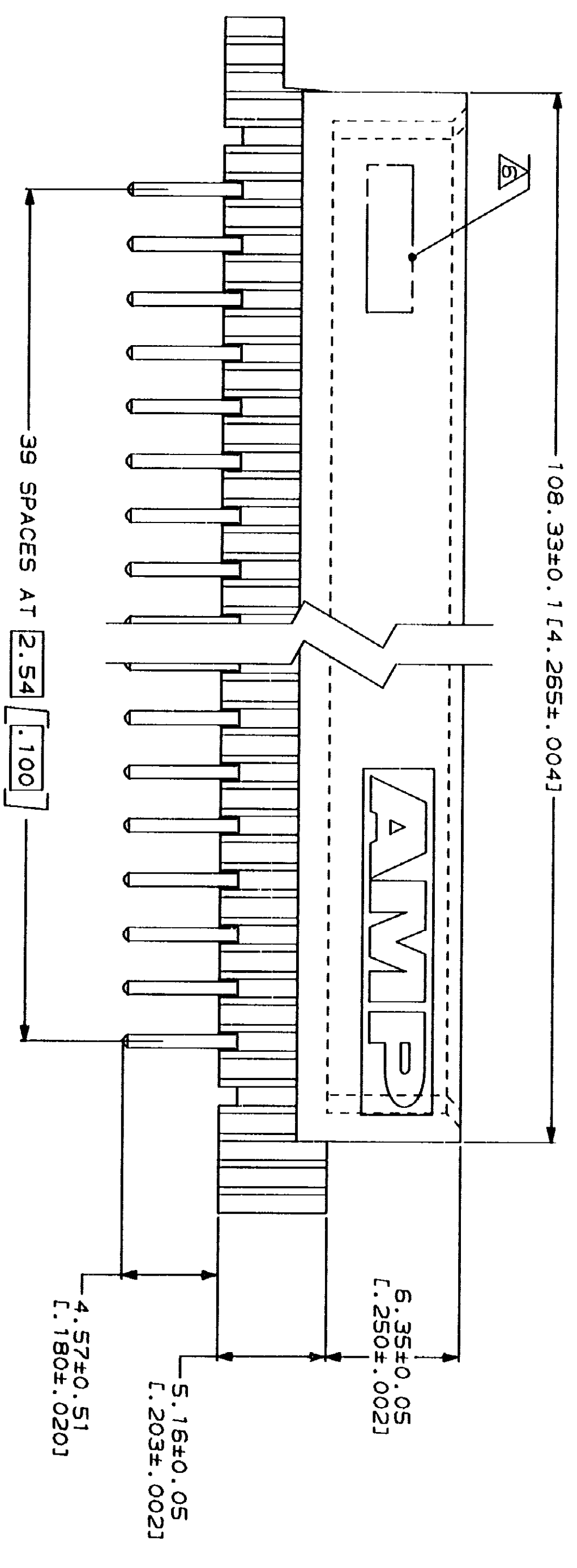
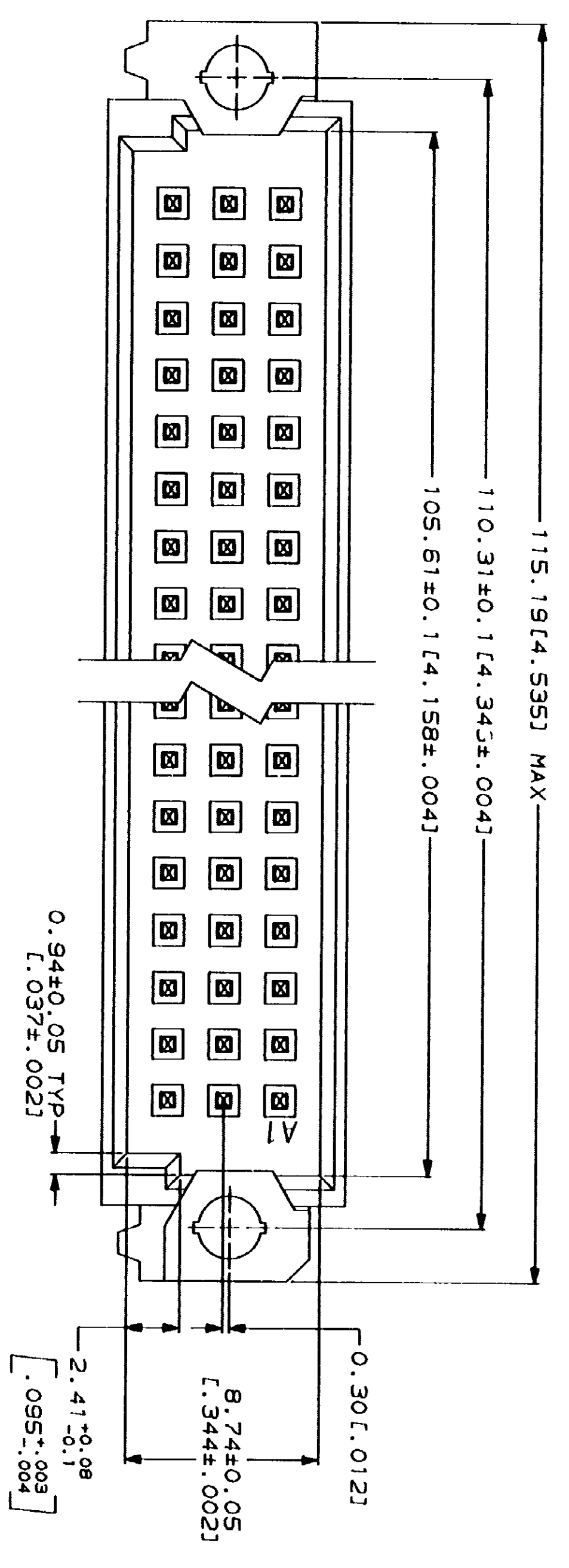
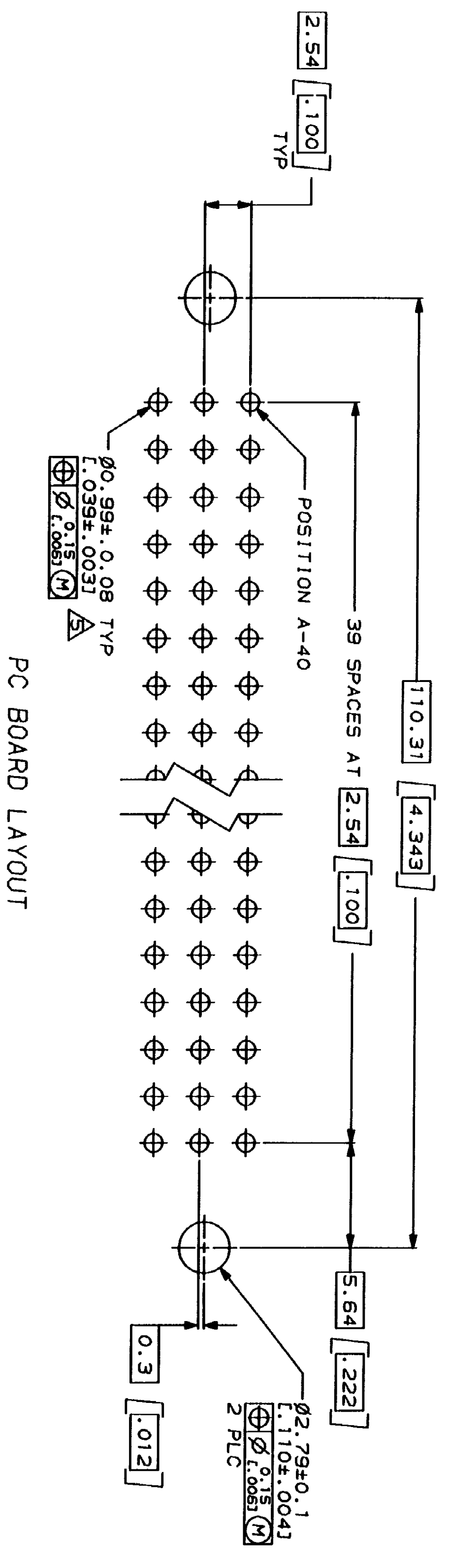


LOC	DATE	REV	ZONE	LTN	DESCRIPTION	DATE	APPD
AD 25							
		0			DRAWN		
		B			ECN A05586, A05640	8/18/91	LSB
		C			ECN A05876	11/14/91	LSB
		D			ECN A05871	12/8/91	LSB
		E			ECN A05255	8/2/93	LSB
		F			EC 0010-1559-93	11/8/93	LSB
		G			EC 0010-0436-94	3/25/94	LSB



- △ HOUSING MATERIAL: GLASS-FILLED POLYESTER. COLOR: GRAY.
- △ POST MATERIAL: BRASS.
- △ POST FINISH: DIN 41612 CLASS 3 IN CONTACT AREA.
- △ TIN-LEAD PLATE ON POSTS.
- △ POST FINISH: DIN 41612 CLASS 2 IN CONTACT AREA.
- △ TIN-LEAD PLATE ON POSTS.
- △ RECOMMENDED HOLE SIZE FOR MANUAL APPLICATION OF CONNECTOR ONTO PC BOARD.
- △ [PART NUMBER, DATE CODE] MARKED THIS APPROXIMATE AREA.
- △ MARKING ON THIS SIDE.



SUPERSEDED BY 550910-5

REV	DATE	DESCRIPTION	BY	CHKD
1	1-40		X	X
2	1-40		X	X

NOTES	POSITIONS LOADED	ROWS LOADED	NO. OF LOADED POSITIONS	ASSY PART NUMBER
	C	B A		

DO NOT SCALE PRINT.	UNLESS SPECIFIED DIMENSIONS IN MM (INCHES)	1 PLC DEC ± 0.1 (0.004)	2 PLC DEC ± 0.13 (0.005)	ANGLES	MATERIAL	HOUSING	POST	FINISH

DR	DATE	NAME	AMP	AMP INCORPORATED	HARRISBURG, PA 17105-3608
L. BRINER	3/18/91				
D.C. RUBENDALL	3/26/91				
D.C. RUBENDALL	3/26/91				
K.R. PARKER	3/26/91				

PIN ASSEMBLY, EUROCARD, TYPE "R"

SIZE	CAGE CODE	DRAWING NO	WEIGHT	SCALE	SHEET
D	00779	650910		5:1	1 OF 1

CUSTOMER DRAWING