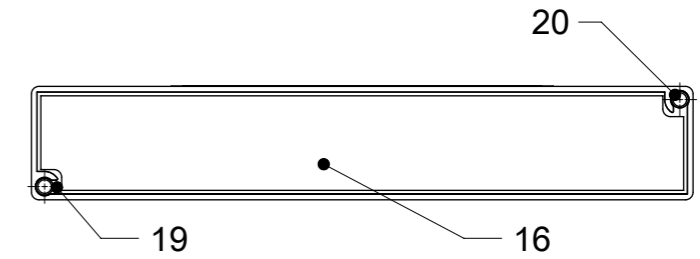
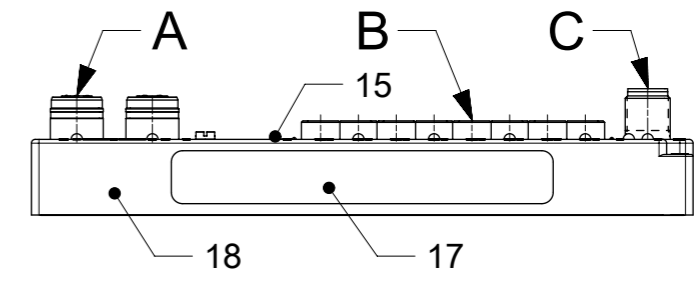
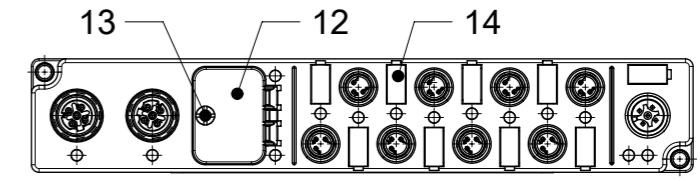
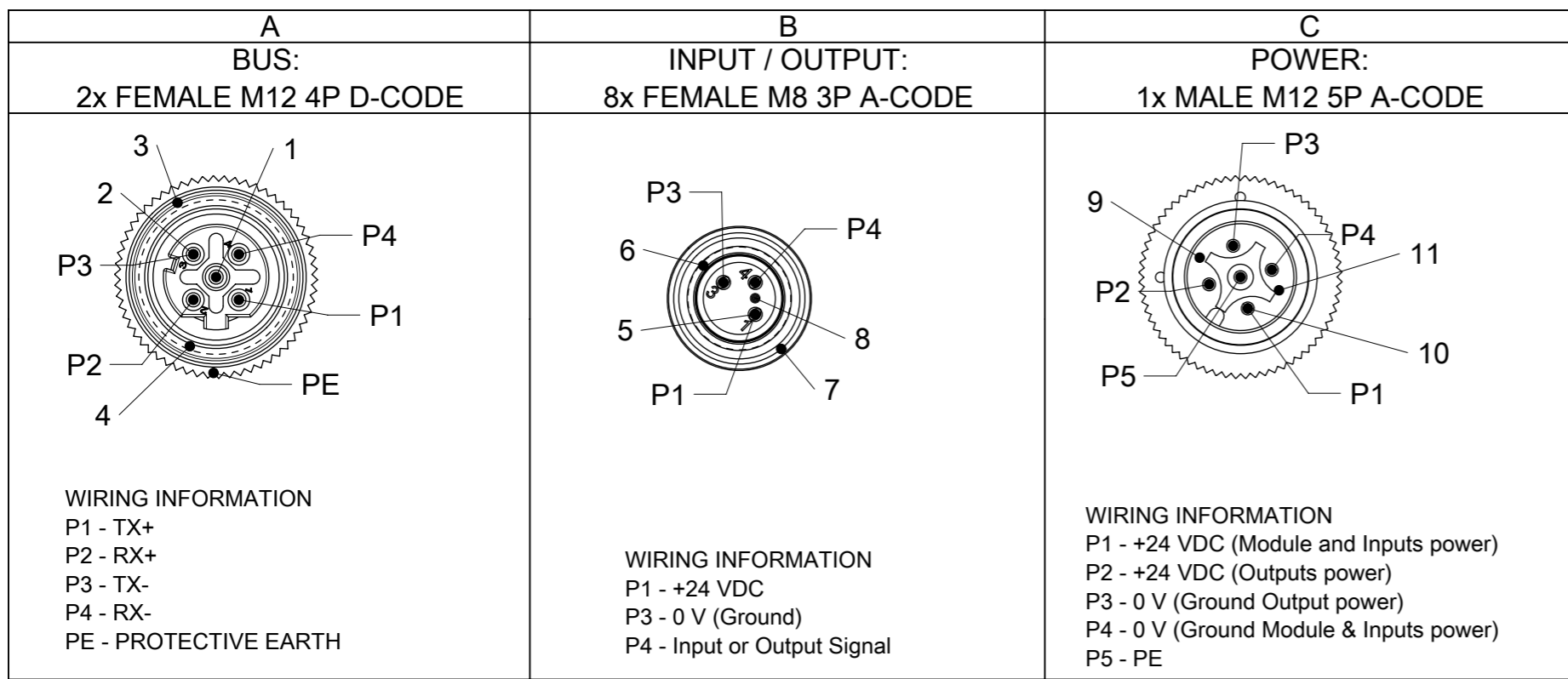
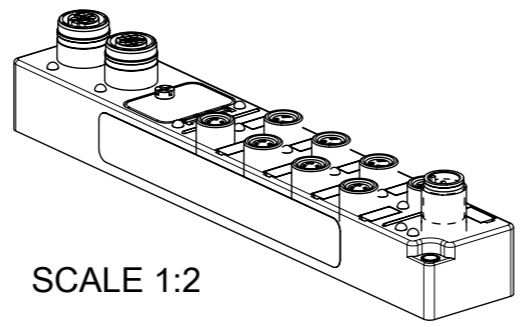


THIS DRAWING CONTAINS INFORMATION THAT IS PROPRIETARY TO MOLEX ELECTRONIC TECHNOLOGIES, LLC AND SHOULD NOT BE USED WITHOUT WRITTEN PERMISSION											
<b>QUALITY SYMBOLS</b> ▽A = 0 ▽E = 0 ▽F = 0 ▼ = 0 ▽C = 0 ⊗ = 0 ■ = 0 ▽ = 0	EC NO:	168509	DRWN:	PDODDAMANEMY	CHK'D:	RSILLER	APPR:	RSILLER	DATE:	2017/11/27	2017/11/27
	GENERAL TOLERANCES (UNLESS SPECIFIED)		DIMENSION UNITS		SCALE						
	ANGULAR TOL ± °		mm		1:2						
	4 PLACES	±	DRWN BY		DATE						
	3 PLACES	±	ULETTENMEIER		2015/02/11						
2 PLACES	±	CHK'D BY		DATE							
1 PLACE	± 0.3	APPR BY		DATE							
0 PLACES	± 0.5	JALEXANDER		2015/05/20							
DRAFT WHERE APPLICABLE MUST REMAIN WITHIN DIMENSIONS		DRAWING SIZE		THIRD ANGLE PROJECTION							
		A3									
						<b>molex</b>					
						DBO PN 30 MM 4P 2PT FE DC M8 3P 8PT FE AC M12 5P MA AC					
						PRODUCT CUSTOMER DRAWING					
		SERIES		MATERIAL NUMBER		CUSTOMER					
		112095		SEE TABLE 1		GENERAL MARKET					
		DOCUMENT NUMBER		DOC TYPE		DOC PART		SHEET NUMBER			
		1120955064		PSD		000		1 OF 3			



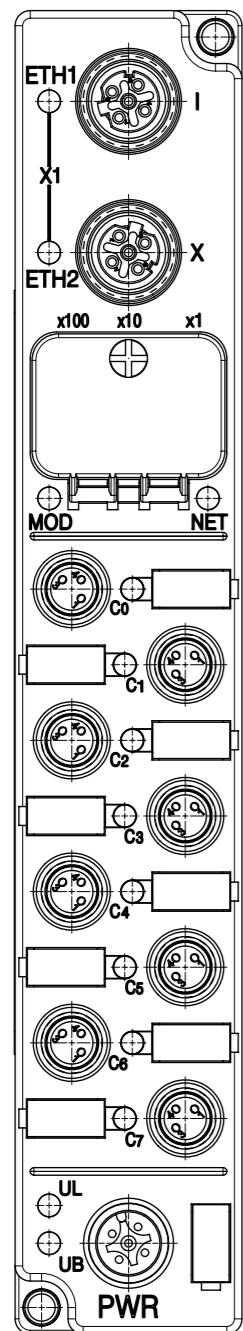
## BILL OF MATERIAL

ITEM	DESCRIPTION	MATERIAL	FINISH
1	INSERT	TPU	BLACK
2	CONTACT	COPPER ALLOY	GOLD OVERNICKEL
3	SHELL	BRASS	NICKEL PLATET
4	GASKET	FPM	RED
5	CONTACT	COPPER ALLOY	GOLD OVER NICKEL
6	GASKET	FPM	RED
7	SHELL	BRASS	NICKEL PLATET
8	INSERT	TPU	BLACK
9	INSERT	TPU	BLACK
10	CONTACT	COPPER ALLOY	GOLD OVERNICKEL
11	SHELL	BRASS	NICKEL PLATET
12	WINDOW	PC	TRANSPARENT
13	SCREW	V2A	V2A
14	LABEL	PC	WHITE
15	FIBER OPTIC	PA	TRANSPARENT
16	LABEL	PVC	WHITE
17	LABEL	PVC	YELLOW
18	HOUSING	PBT	BLACK
19	RESIN	EPOXY	TRANSPARENT
20	SLEEV	BRASS	NICKEL



QUALITY SYMBOLS	<p>THIS DRAWING CONTAINS INFORMATION THAT IS PROPRIETARY TO MOLEX ELECTRONIC TECHNOLOGIES, LLC AND SHOULD NOT BE USED WITHOUT WRITTEN PERMISSION</p>	<p>GENERAL TOLERANCES (UNLESS SPECIFIED)</p> <p>ANGULAR TOL ± °</p> <p>4 PLACES ±</p> <p>3 PLACES ±</p> <p>2 PLACES ±</p> <p>1 PLACE ± 0.3</p> <p>0 PLACES ± 0.5</p> <p>DRAFT WHERE APPLICABLE MUST REMAIN WITHIN DIMENSIONS</p>	<p>DIMENSION UNITS</p> <p>mm</p>	<p>SCALE</p> <p>1:2</p>					
<p>▽A = 0</p> <p>▽E = 0</p> <p>▽F = 0</p> <p>▽ = 0</p> <p>▽C = 0</p> <p>⊗ = 0</p> <p>■ = 0</p> <p>▽ = 0</p>	<p>EC NO: 168509</p> <p>DRWN: PDODDAMANEMY</p> <p>CHK'D:</p> <p>REV APPR: RSILLER</p> <p>2017/10/26</p> <p>2017/11/27</p>	<p>DRWN BY</p> <p>UULETTENMEIER</p> <p>CHK'D BY</p> <p>DATE</p> <p>2015/02/11</p> <p>APPR BY</p> <p>JALEXANDER</p> <p>DATE</p> <p>2015/05/20</p>	<p>DATE</p> <p>DATE</p> <p>DATE</p> <p>DATE</p>	<p>SERIES</p> <p>112095</p>	<p>MATERIAL NUMBER</p> <p>SEE TABLE 1</p>	<p>CUSTOMER</p> <p>GENERAL MARKET</p>			
<p>RELEASE STATUS</p> <p>P1</p>		<p>RELEASE DATE</p> <p>27.11.2017 15:41:26</p>		<p>DRAWING SIZE</p> <p>A3</p>	<p>THIRD ANGLE PROJECTION</p>	<p>DOCUMENT NUMBER</p> <p>1120955064</p>	<p>DOC TYPE</p> <p>PSD</p>	<p>DOC PART</p> <p>000</p>	<p>SHEET NUMBER</p> <p>2 OF 3</p>

TABLE 1 UNIVERSAL PRINTING						
		PROFINET		EtherNet/IP		
POWER TYPE	INPUT / OUTPUT	ENG.NO.	MOLEX P/N	ENG.NO.	MOLEX P/N	3D MODEL NO.
M12 5 POLE	USER CONFIG.	TBDEP-8YYP-D84-G	1120955067	TBDEI-8YYP-D84-G	1120955071	1120950064 (PDM)



UNIVERSAL PRINTING

<b>QUALITY SYMBOLS</b> ▽ = 0 ▽ = 0 ▽ = 0 ▼ = 0 ▽ = 0 ⊗ = 0 ■ = 0 ▽ = 0	THIS DRAWING CONTAINS INFORMATION THAT IS PROPRIETARY TO MOLEX ELECTRONIC TECHNOLOGIES, LLC AND SHOULD NOT BE USED WITHOUT WRITTEN PERMISSION										
	EC NO: 168509 DRWN: PDODDAMANEMY CHK'D: APPR: RSILLER	2017/10/26 2017/11/27	GENERAL TOLERANCES (UNLESS SPECIFIED)		DIMENSION UNITS	SCALE					
			ANGULAR TOL ± °		mm	1:1					
			4 PLACES ±	DRWN BY		DATE					
			3 PLACES ±	ULETTENMEIER		2015/02/11					
			2 PLACES ±	CHK'D BY		DATE					
	1 PLACE ± 0.3	APPR BY		DATE		PRODUCT CUSTOMER DRAWING					
	0 PLACES ± 0.5	JALEXANDER		2015/05/20		SERIES	MATERIAL NUMBER	CUSTOMER			
	DRAFT WHERE APPLICABLE MUST REMAIN WITHIN DIMENSIONS		DRAWING SIZE	THIRD ANGLE PROJECTION		112095	SEE TABLE 1	GENERAL MARKET			
	A4	REV	A3			DOCUMENT NUMBER	DOC TYPE	DOC PART	SHEET NUMBER		
					1120955064	PSD	000	3 OF 3			