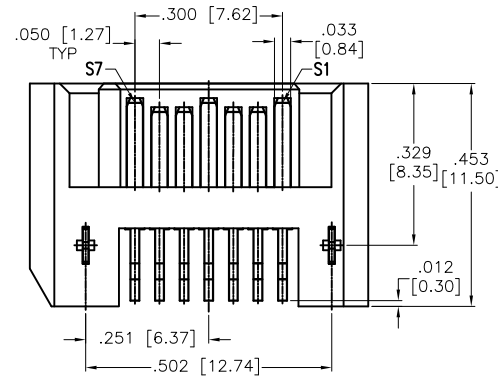
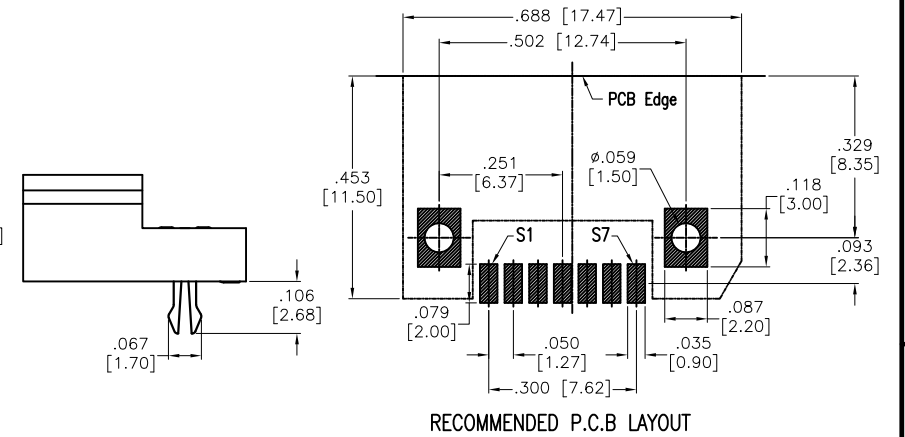
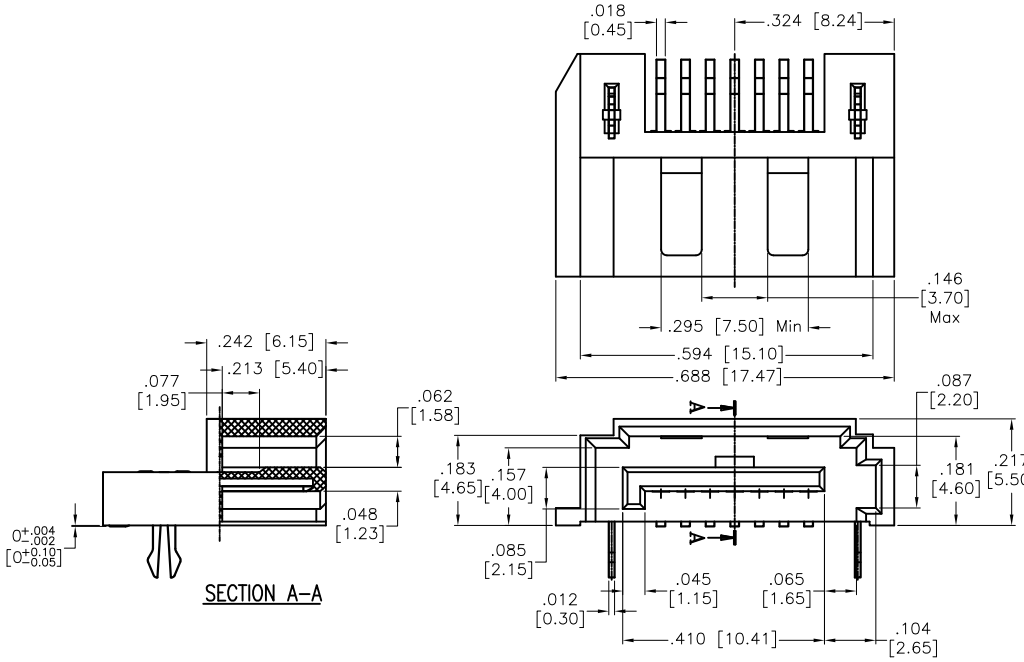


APPROVED: _____
 DATE: _____ TITLE: _____

Rev	AWO #	Description	Date	Appr
-		RELEASED	5/23/05	
A		ADDED CIRCUIT #1 NOTE	12/29/08	BAS
B	9434	REDRAWN	3/26/09	
C		REVISED DIM.	09/21/12	
D		UPDATE DRAWING	8/23/16	AY/MY



Pin	SIGNAL NAME
S1	GND
S2	A+
S3	A-
S4	GND
S5	B-
S6	B+
S7	GND

SPECIFICATIONS:

Material:
 Insulator: Hi-Temp Thermoplastic, rated UL 94V-0
 Insulator color: Black
 Contacts: Phosphor Bronze
 Harpoon: Brass, Tin plated
 Plating:
 Gold flash over Nickel underplate on contact area,
 Tin over Nickel underplate on tails
 Electrical:
 Current rating: 1.5 Amps max per contact
 Contact resistance: 30 mohms max
 Insulation resistance: 1000 Mohms min
 Dielectric withstanding voltage: 500 VAC for 1 minute
 Temperature Rating:
 Operating temperature: -55°C to +85°C
 Environmental:
 Lead free, RoHS compliant.



UNLESS OTHERWISE SPECIFIED ALL DIMENSIONS ARE INCHES [MM] TOLERANCES: EXCEPT AS NOTED		ADAM TECH 909 Rahway Avenue, Union, NJ 07083 Phone: 908-687-5000 Fax: 908-687-5710	
INCHES			
.X ± .10	∅X ± .10	TITLE SATA CONNECTOR, 7P, TYPE A LEFT POLARIZATION, SMT, W/ KEY	
.XX ± .020	∅XX ± .015		
.XXX ± .015	∅XXX ± .010		
APPROVALS		DATE	
DRAWN	SS	5/23/05	
CHECKED			
APPROVED			
SIZE X	PART NO. SATA-A-PL-SMT-K	REV. D	
REF: S00078T	SCALE: NTS	SHEET 1 OF 1	