

1-965600-1 ✓ ACTIVE

TE Internal #: 1-965600-1

Automotive Connector Caps & Covers, Shield, Black, PBT, 8

Position, -40 – 266 °F [-40 – 130 °C]

[View on TE.com >](#)



Connectors > Automotive Connectors > Automotive Connector Accessories > Automotive Connector Caps & Covers



Protection & Strain Relief Accessory Type: **Shield**

Strain Relief: **Without**

Primary Product Color: **Black**

Primary Product Material: **PBT**

Number of Positions: **8**

Features

Product Type Features

Protection & Strain Relief Accessory Type	Shield
---	--------

Configuration Features

Number of Positions	8
---------------------	---

Body Features

Primary Product Color	Black
Primary Product Material	PBT

Mechanical Attachment

Strain Relief	Without
---------------	---------

Usage Conditions

Operating Temperature (Max)	130 °C[266 °F]
Operating Temperature Range	-40 – 130 °C[-40 – 266 °F]

Product Compliance

[For compliance documentation, visit the product page on TE.com>](#)

EU RoHS Directive 2011/65/EU	Compliant
------------------------------	-----------



EU ELV Directive 2000/53/EC	Compliant
China RoHS 2 Directive MIIT Order No 32, 2016	No Restricted Materials Above Threshold
EU REACH Regulation (EC) No. 1907/2006	Current ECHA Candidate List: JUNE 2023 (235) Candidate List Declared Against: JAN 2023 (233) Does not contain REACH SVHC
Halogen Content	Low Halogen - Br, Cl, F, I < 900 ppm per homogenous material. Also BFR/CFR/PVC Free
Solder Process Capability	Not applicable for solder process capability

Product Compliance Disclaimer

This information is provided based on reasonable inquiry of our suppliers and represents our current actual knowledge based on the information they provided. This information is subject to change. The part numbers that TE has identified as EU RoHS compliant have a maximum concentration of 0.1% by weight in homogenous materials for lead, hexavalent chromium, mercury, PBB, PBDE, DBP, BBP, DEHP, DIBP, and 0.01% for cadmium, or qualify for an exemption to these limits as defined in the Annexes of Directive 2011/65/EU (RoHS2). Finished electrical and electronic equipment products will be CE marked as required by Directive 2011/65/EU. Components may not be CE marked. Additionally, the part numbers that TE has identified as EU ELV compliant have a maximum concentration of 0.1% by weight in homogenous materials for lead, hexavalent chromium, and mercury, and 0.01% for cadmium, or qualify for an exemption to these limits as defined in the Annexes of Directive 2000/53/EC (ELV). Regarding the REACH Regulation, the information TE provides on SVHC in articles for this part number is based on the latest European Chemicals Agency (ECHA) 'Guidance on requirements for substances in articles' posted at this URL: <https://echa.europa.eu/guidance-documents/guidance-on-reach>

Compatible Parts



Customers Also Bought





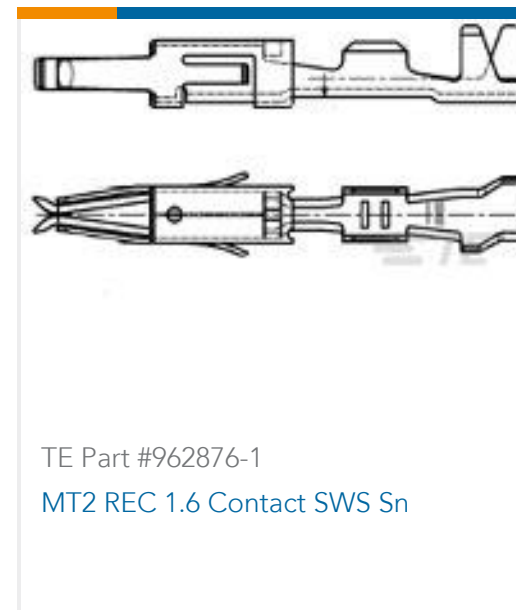
TE Part #2-1418448-1
3 POS AMP MCP1.5k REC. HSG COD



TE Part #174354-2
070 ECONOSEAL MARK-2 CAP 2P



TE Part #1241416-1
AMP MCP 6.3/4.8K, CONTACT, SWS



TE Part #962876-1
MT2 REC 1.6 Contact SWS Sn



TE Part #2600031-1
4CCT BLACK PLUG W/SMALL SEAL



TE Part #2822356-1
070 TYPE NEW RUBBER PLUG S

Documents

Product Drawings

MQS KAPPE 8P

English

CAD Files

Customer View Model

[ENG_CVM_CVM_1-965600-1_B.2d_dxf.zip](#)

English

3D PDF

3D

Customer View Model

[ENG_CVM_CVM_1-965600-1_B.3d_igs.zip](#)

English

Customer View Model

[ENG_CVM_CVM_1-965600-1_B.3d_stp.zip](#)

English

By downloading the CAD file I accept and agree to the [Terms and Conditions](#) of use.