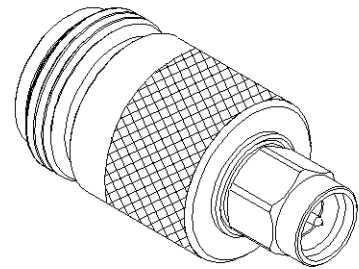
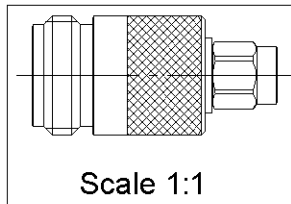
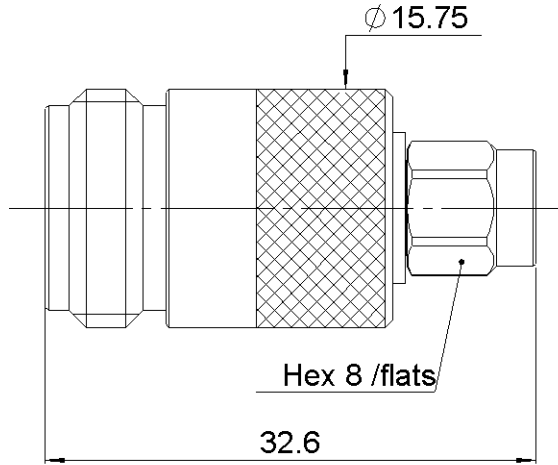
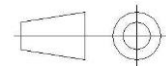


PAGE 1/2	ISSUE 07-12-16B	SERIES ADAPT	PART NUMBER R191327000
----------	-----------------	--------------	-------------------------------



All dimensions are in mm.



COMPONENTS	MATERIALS	PLATING (μm)
Body	BERYLLIUM COPPER, BRASS	NICKEL .
Center contact	BERYLLIUM COPPER	GOLD OVER NICKEL
Outer contact	--	--
Insulator	PTFE	--
Gasket	SILICONE RUBBER	--
Others parts	BERYLLIUM COPPER	NICKEL .
-	-	-
-	-	-

PAGE 2/2	ISSUE 07-12-16B	SERIES ADAPT	PART NUMBER R191327000
-----------------	------------------------	---------------------	-------------------------------

PACKAGING

Standard	Unit	Other
1	-	Contact us

ELECTRICAL CHARACTERISTICS

Impedance		50		Ω
Frequency		0-11		GHz
VSWR	1.30	+	0,0000	x F(GHz) Maxi
Insertion loss			0.06	√F(GHz) dB Maxi
RF leakage		- (101	- F(GHz) dB Maxi
Voltage rating			500	Veff Maxi
Dielectric withstanding voltage			1000	Veff mini
Insulation resistance			5000	MΩ mini

MECHANICAL CHARACTERISTICS

Center contact retention				
Axial force – Mating End			*18	N mini
Axial force – Opposite end			*18	N mini
Torque			NA	N.cm mini
Recommended torque				
Mating	N		0	N.cm
	SMA		100	N.cm
	-		0	N.cm
Panel nut			NA	N.cm
Mating life			500	Cycles mini
Weight			29,6100	g

ENVIRONMENTAL

Operating	-55/+155	°C
Hermetic seal	NA	Atm.cm3/s
Panel leakage	NA	

SPECIFICATION

OTHER CHARACTERISTICS

* out of SMA CDC.