

Specifications

Material
 Housing&Slide : High Temperature Thermoplastic, UL94V-0, Black
 Contact Terminal: Copper Alloy
 Metallic Shell: Stainless Steel
 Spring: SWP-B
 Link: Stainless Steel

Plating

Contact :
 Contact Area: Gold Flash over Nickel
 Soldering Tail: Gold Flash over Nickel
Shell:
 Soldering Tail: Gold Flash over Nickel
Spring&Link: Cleaning

Electrical

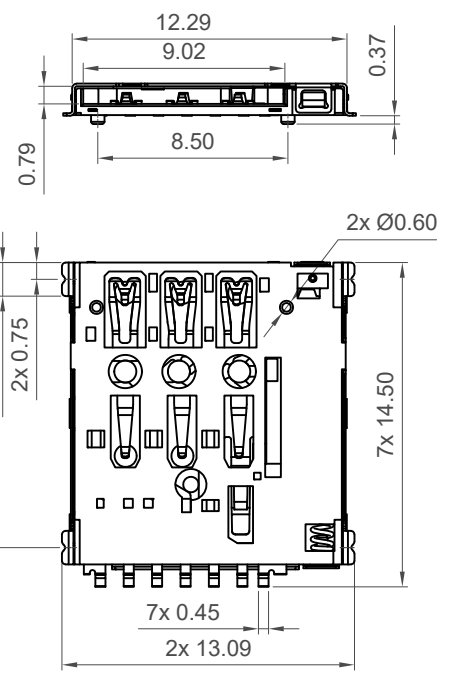
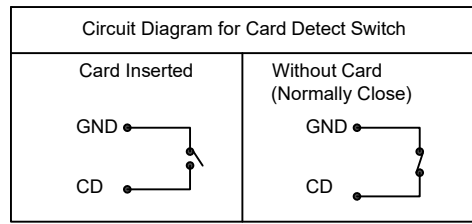
Voltage rating: 30V AC/DC
 Current Rating: 1.0 Amp AC/DC Max.
 Contact Resistance:
 Signal contact: 100 mΩ Max.
 CD to GND: 200 mΩ Max.
 Dielectric Withstanding Voltage: 500V AC (60 Sec Min.)
 Insulation Resistance: 1000 MΩ Min. @500V DC

Mechanical & Environmental

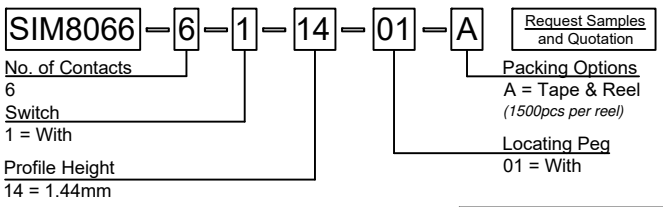
Operating Temperature: -40°C to +85°C
 Durability : 5,000 cycles

Recommended PCB Layout

(Viewed from Component Side - Tolerance:±0.05mm)
 [Hatched] Solder Area [Cross-hatched] Keep Out Area [Dashed] Component Outline



Ordering Grid

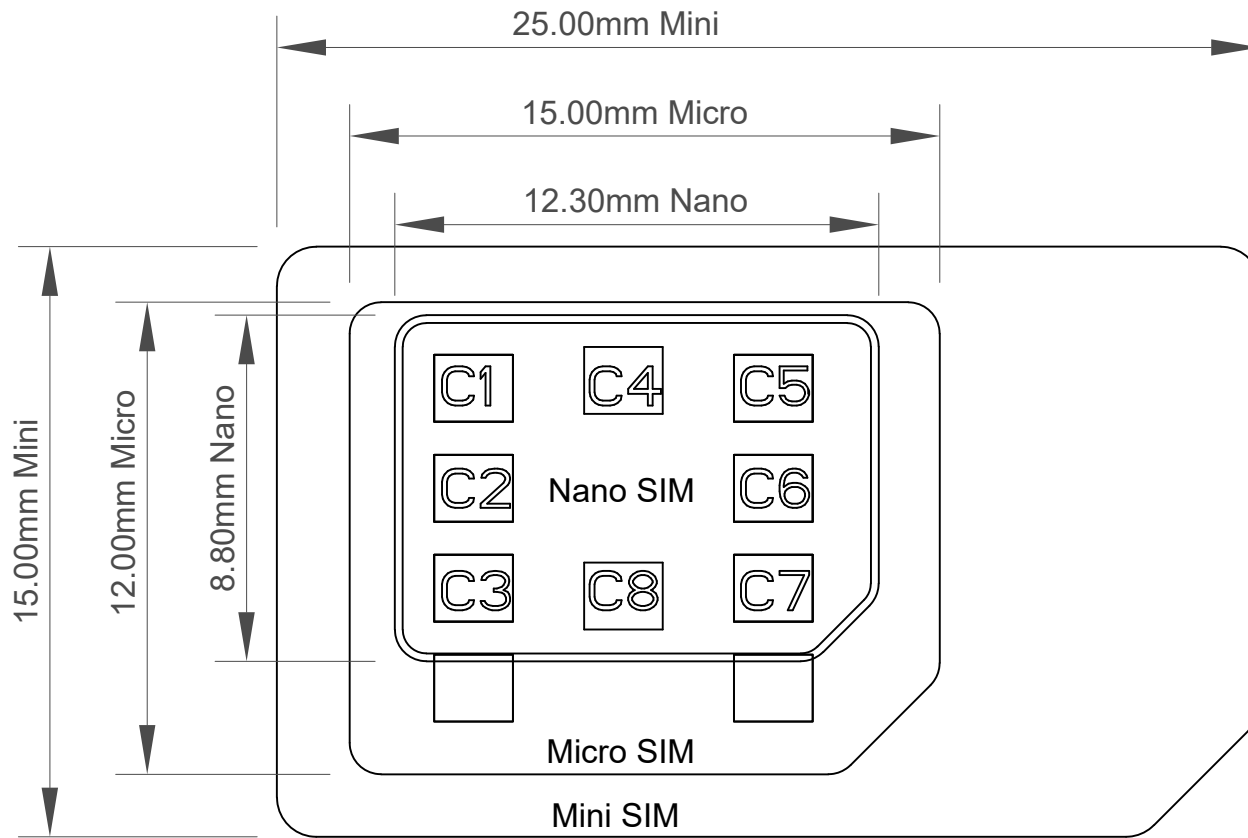


| | | | | |
|-----------------|-----------------|---|-------------|--|
| Part Number | | Product Description | | |
| SIM8066 | | Nano SIM Card Connector | | |
| Drawing Date | | Push-Push Type, SMT, 6Pin, 1.44mm Profile | | |
| 19th March 2021 | | | | |
| By | CC | Tolerances (Except as Noted) | Units: | |
| Detail | Drawing Release | Length | Metric (mm) | |
| Revision | A3 | X.X ± 0.30 | | |
| Date | 14/12/22 | X.XX ± 0.20 | | |
| | | X.XXX ± 0.10 | ± 2° | |

GCT
 www.gct.co

This drawing is confidential and copyright of Global Connector Technology, Ltd (GCT). This drawing must not be copied or disclosed without written consent. E & OE

| | | |
|--------------|-------------|---------------|
| Not to Scale | Drawn By CC | Sheet No. 1/3 |
|--------------|-------------|---------------|



- C1----->VCC
- C2----->RST
- C3----->CLK
- C5----->GND
- C6----->Vpp
- C7----->I/O

Reference

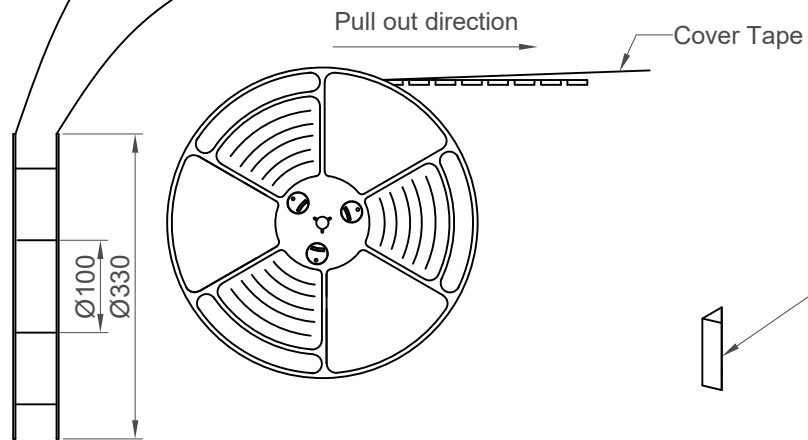
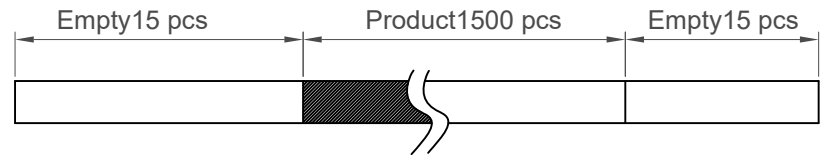
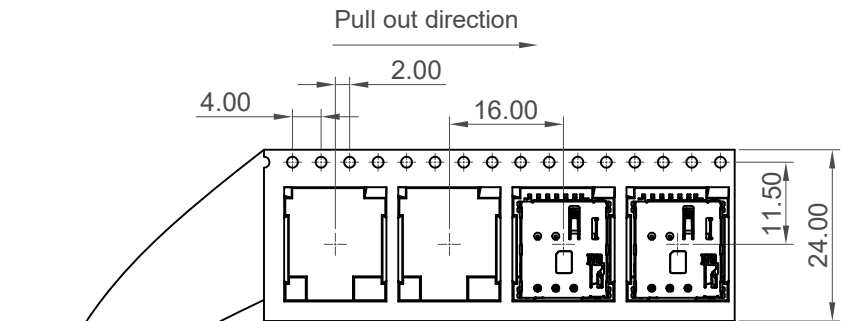
| | | | | | |
|-----------------|-----------------|---|-------|-------------|--|
| Part Number | | Product Description | | | |
| SIM8066 | | Nano SIM Card Connector | | | |
| Drawing Date | | Push-Push Type, SMT, 6Pin, 1.44mm Profile | | | |
| 19th March 2021 | | | | | |
| By | CC | Tolerances (Except as Noted) | | Units: | |
| Detail | Drawing Release | Length | Angle | Metric (mm) | |
| Revision | A3 | X.X ± 0.30 | | ± 2° | |
| Date | 14/12/22 | X.XX ± 0.20 | | | |
| | | X.XXX ± 0.10 | | | |



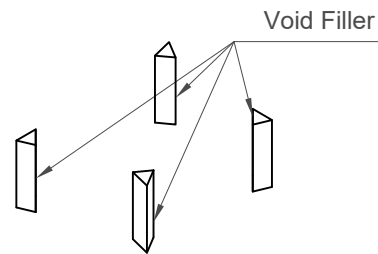
www.gct.co

This drawing is confidential and copyright of Global Connector Technology, Ltd (GCT). This drawing must not be copied or disclosed without written consent. E & OE

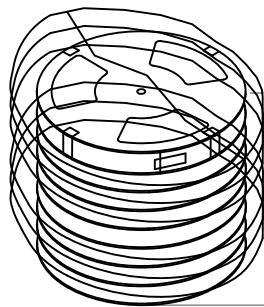
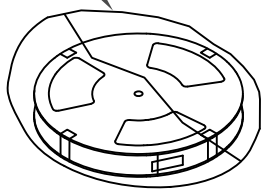
| | | |
|--------------|----------------|------------------|
| Not to Scale | Drawn By CC | Sheet No. 2/3 |
|--------------|----------------|------------------|



| Pcs/Reel | Reels/Carton | Pcs/Carton |
|----------|--------------|------------|
| 1500 | 10 | 15000 |

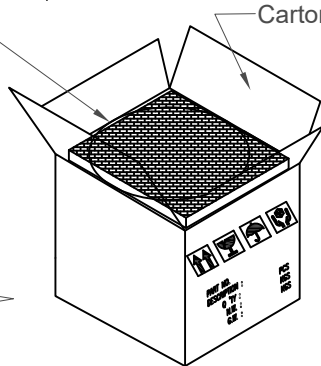


Vacuum Bag



10 Reels

PE Foam

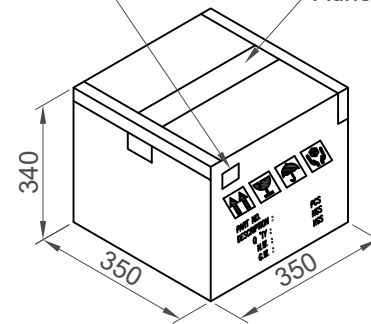


Carton

1500pcs x 10=15000pcs

Label

Adhesive Tape



| | | | |
|-----------------|-----------------|---|-------------|
| Part Number | | Product Description | |
| SIM8066 | | Nano SIM Card Connector | |
| Drawing Date | | Push-Push Type, SMT, 6Pin, 1.44mm Profile | |
| 19th March 2021 | | | |
| By | CC | Tolerances (Except as Noted) | Units: |
| Detail | Drawing Release | Length | Metric (mm) |
| Revision | A3 | X.X ± 0.30 | |
| Date | 14/12/22 | X.XX ± 0.20 | |
| | | X.XXX ± 0.10 | ± 2° |

This drawing is confidential and copyright of Global Connector Technology, Ltd (GCT). This drawing must not be copied or disclosed without written consent. E & OE



www.gct.co

| | | |
|--------------|-------------|---------------|
| Not to Scale | Drawn By CC | Sheet No. 3/3 |
|--------------|-------------|---------------|