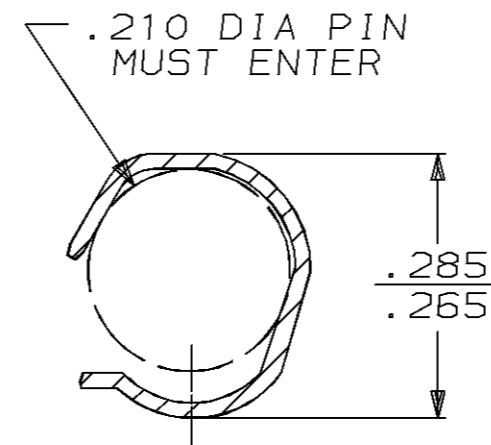
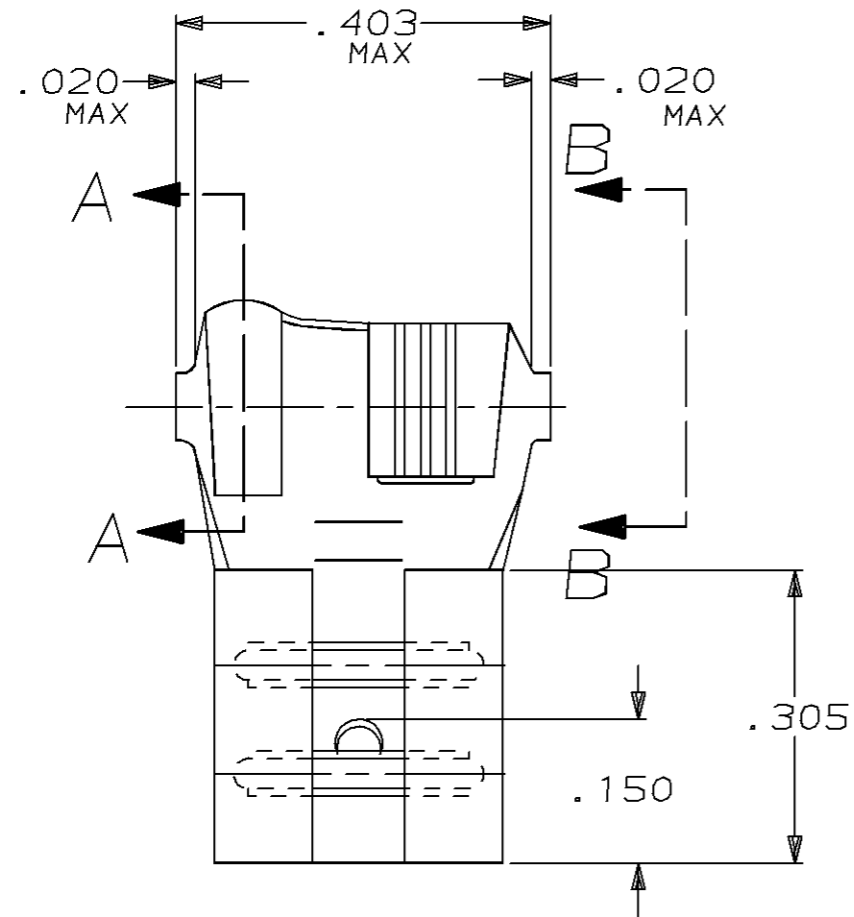
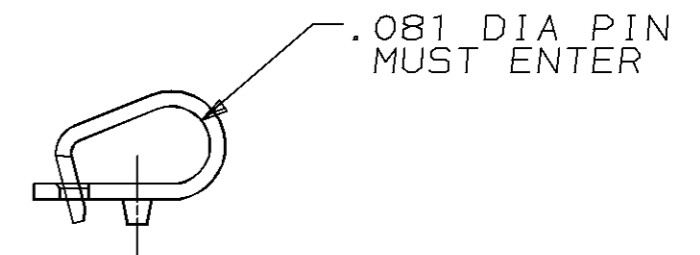


THIS DRAWING IS UNPUBLISHED. RELEASED FOR PUBLICATION ,19 .
 © COPYRIGHT 19 BY AMP INCORPORATED, HARRISBURG, PA. ALL INTERNATIONAL RIGHTS RESERVED. AMP PRODUCTS MAY BE COVERED BY U.S. AND FOREIGN PATENTS AND/OR PATENTS PENDING.

| LOC | DIST | P | F | REVISIONS | | | | |
|-----|------|---|---|-----------|-----|-------------------------------|---------|----------|
| | | | | ZONE | LTR | DESCRIPTION | DATE | APPROVED |
| AF | 50 | | | | A | ADDED NOTES 3 & 4 PER 0551-94 | 11/2/94 | JR/PD |



SECTION A-A



VIEW B-B

- 1 WIRE AND INSULATION BARRELS TO BE PREFORMED AS SHOWN IN CUT OFF OPERATION.
- 2 SUPPLIED IN LOOSE PIECE.
- 3 FOREIGN PRODUCTION ONLY.
- 4 MAKE FROM P/N 41800

| | | | | | | | |
|---|--|--------------------------------|--|---|--|------------------|--|
| 2.79-5.33 [.110-.210] | | 0.8-3.0mm ² [18-12] | | 0.81 [.032] | | 42015 | |
| INSULATION RANGE | | WIRE SIZE | | ±0.025 [±.001] TAB THK | | PART NO | |
| UNLESS OTHERWISE SPECIFIED DIMENSIONS ARE IN MM TOLERANCES ON: 2 PL DEC ± - 3 PL DEC ± 0.38 [015] ANGLES ± - | | DR 11/16/93 JR RUTH | | AMP INCORPORATED Harrisburg, Pa. 17105 | | | |
| | | CHK 11/16/93 MS FEHER | | | | | |
| MATERIAL T3 PHOS BRZ | | APPD 11/16/93 P DESANTIS | | NAME RECEPTACLE, FASTON,™ FLAG, .250 SERIES | | | |
| | | APPD 11/16/93 R REINER | | SIZE B | | FSCM NO 00779 | |
| FINISH TIN | | PRODUCT SPEC - | | SCALE NTS | | SHEET 1 OF 1 | |
| | | APPLICATION SPEC - | | WEIGHT - | | | |