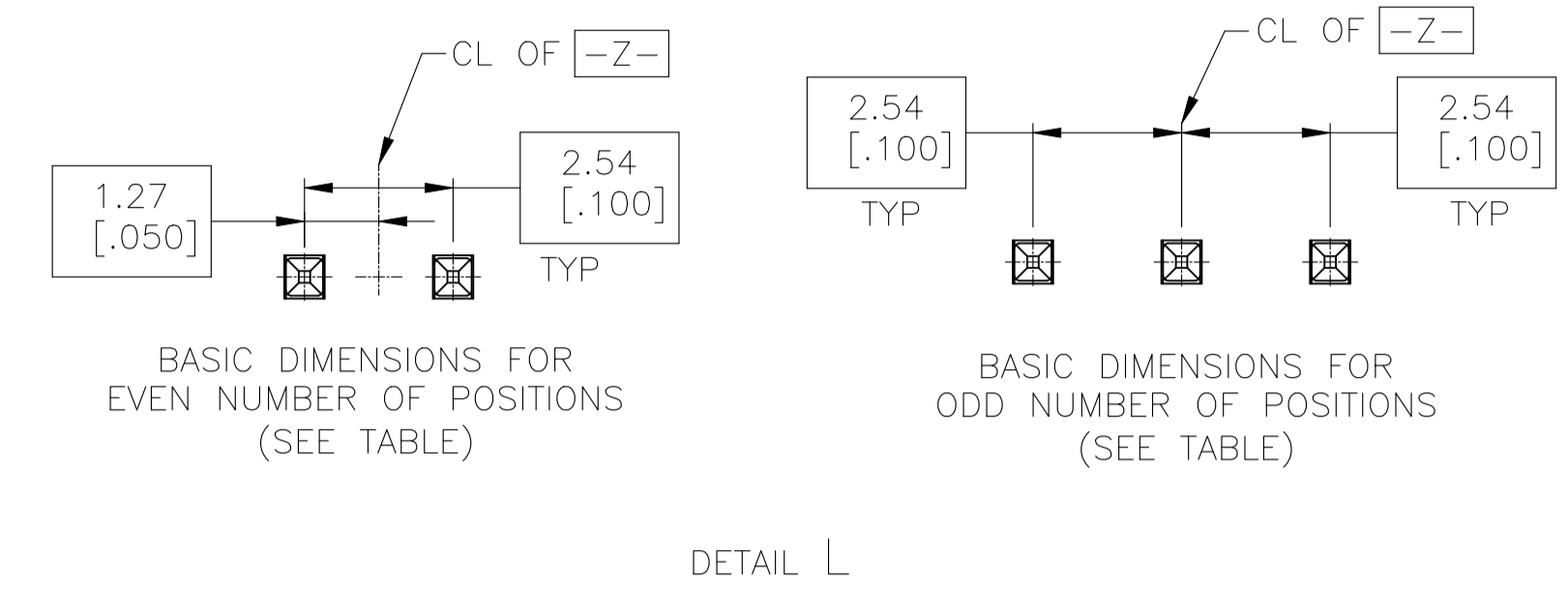
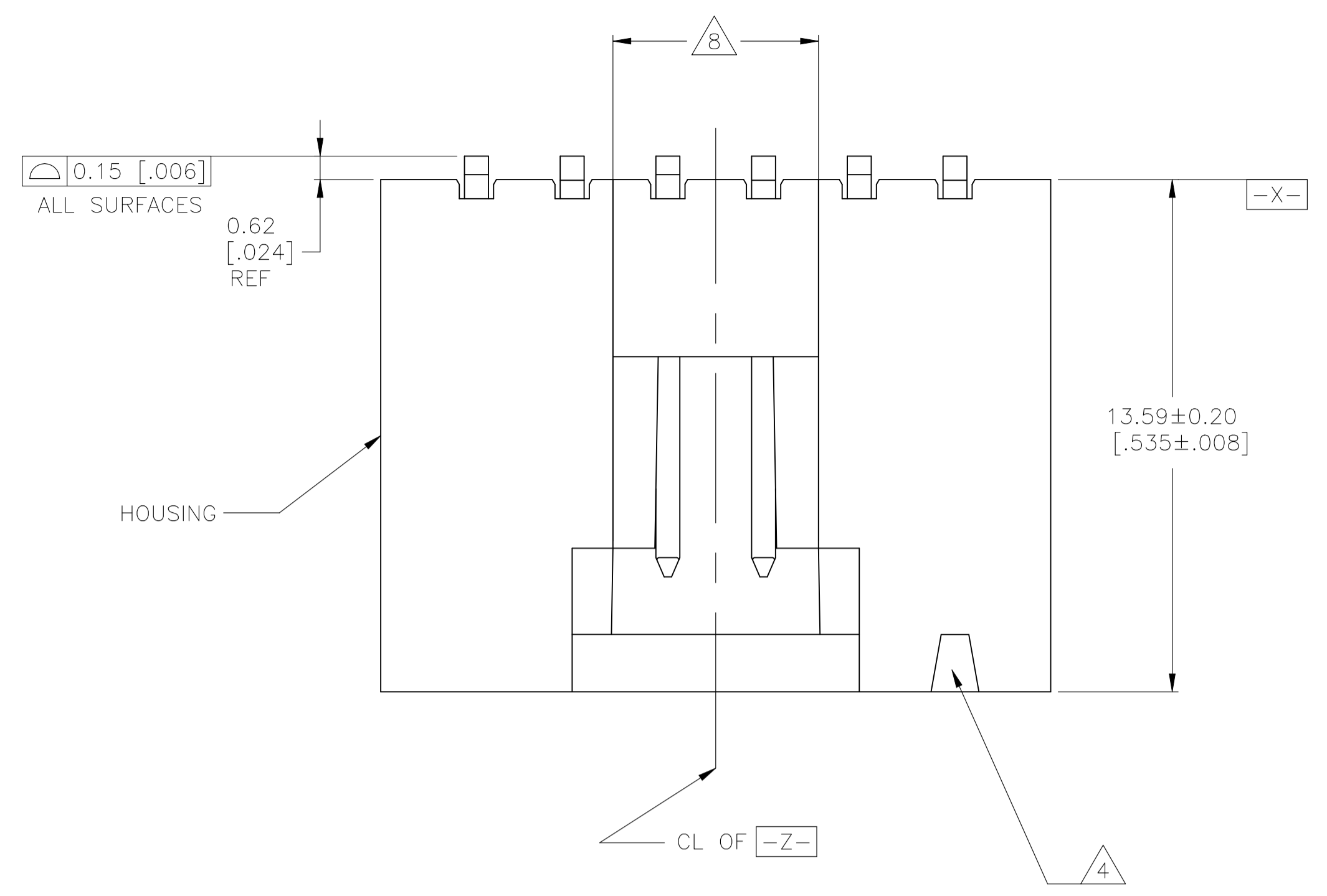
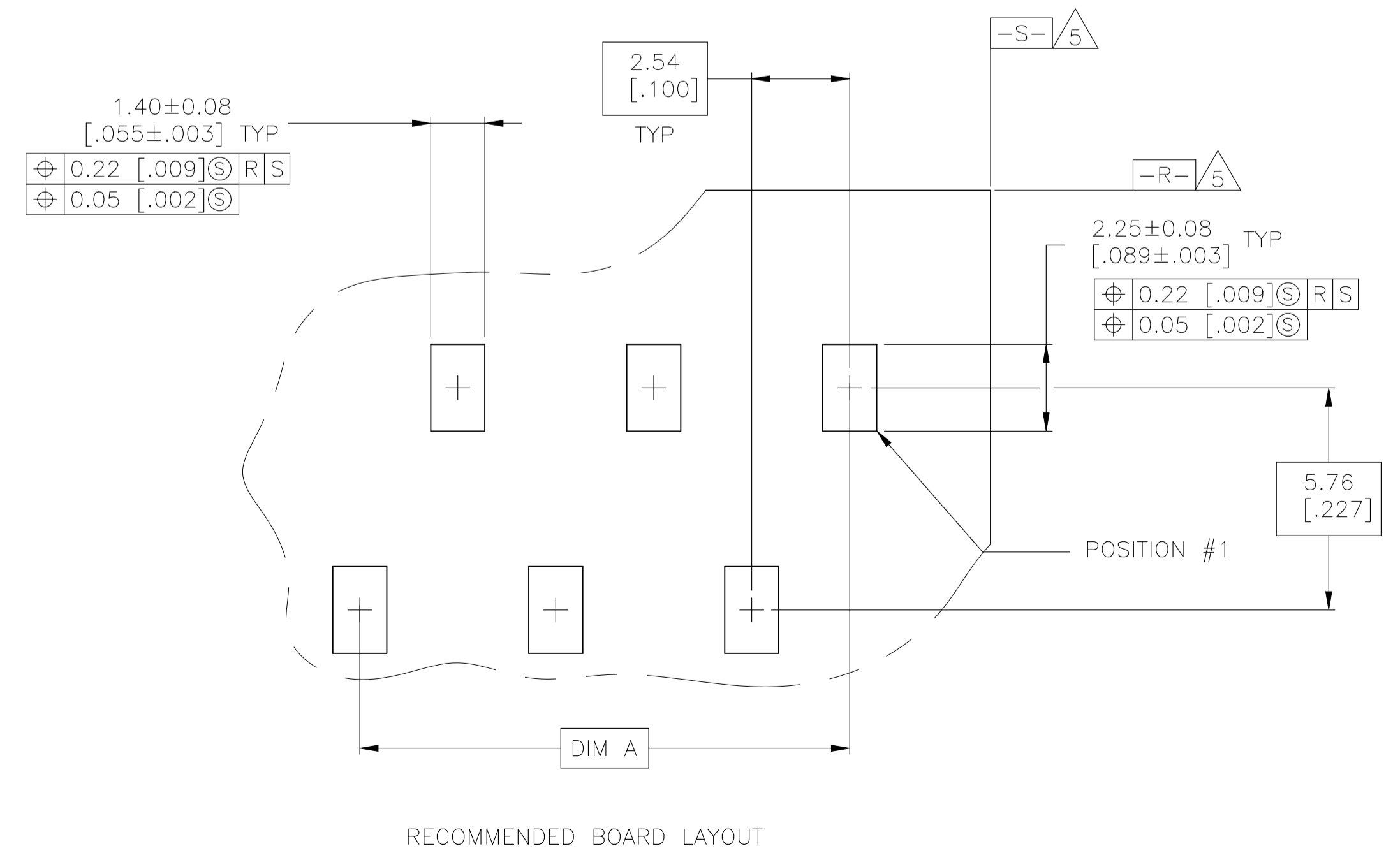
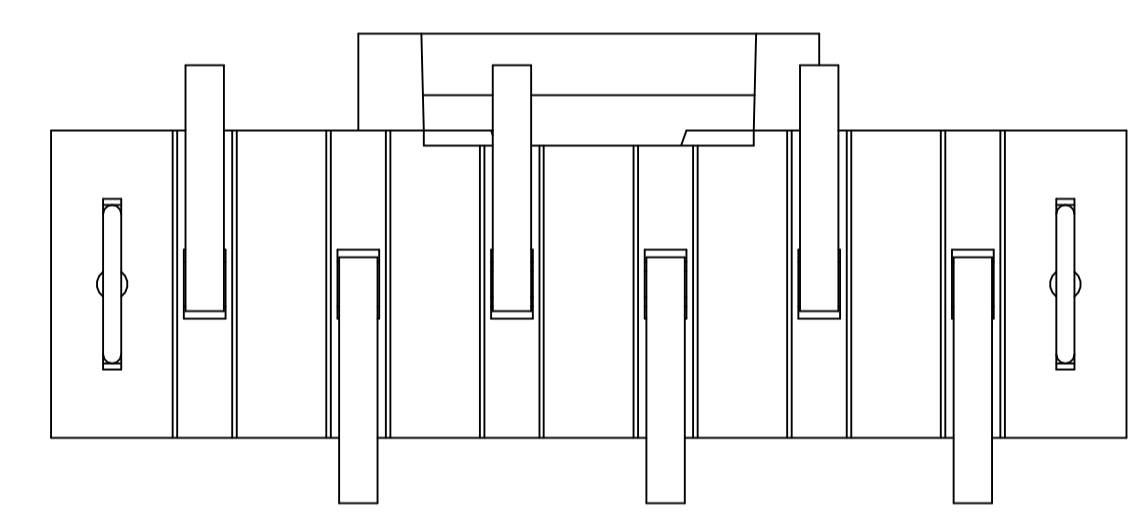
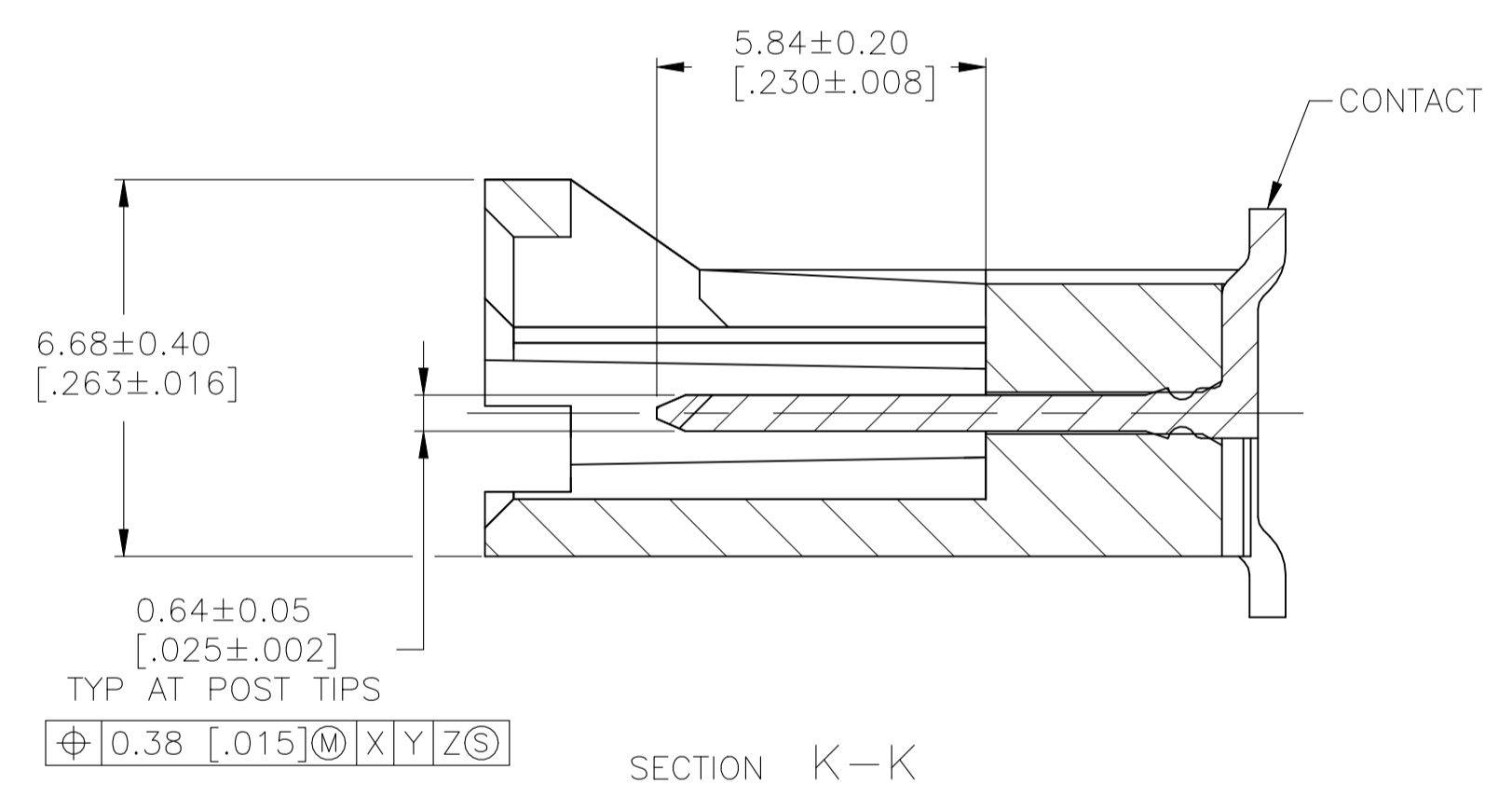
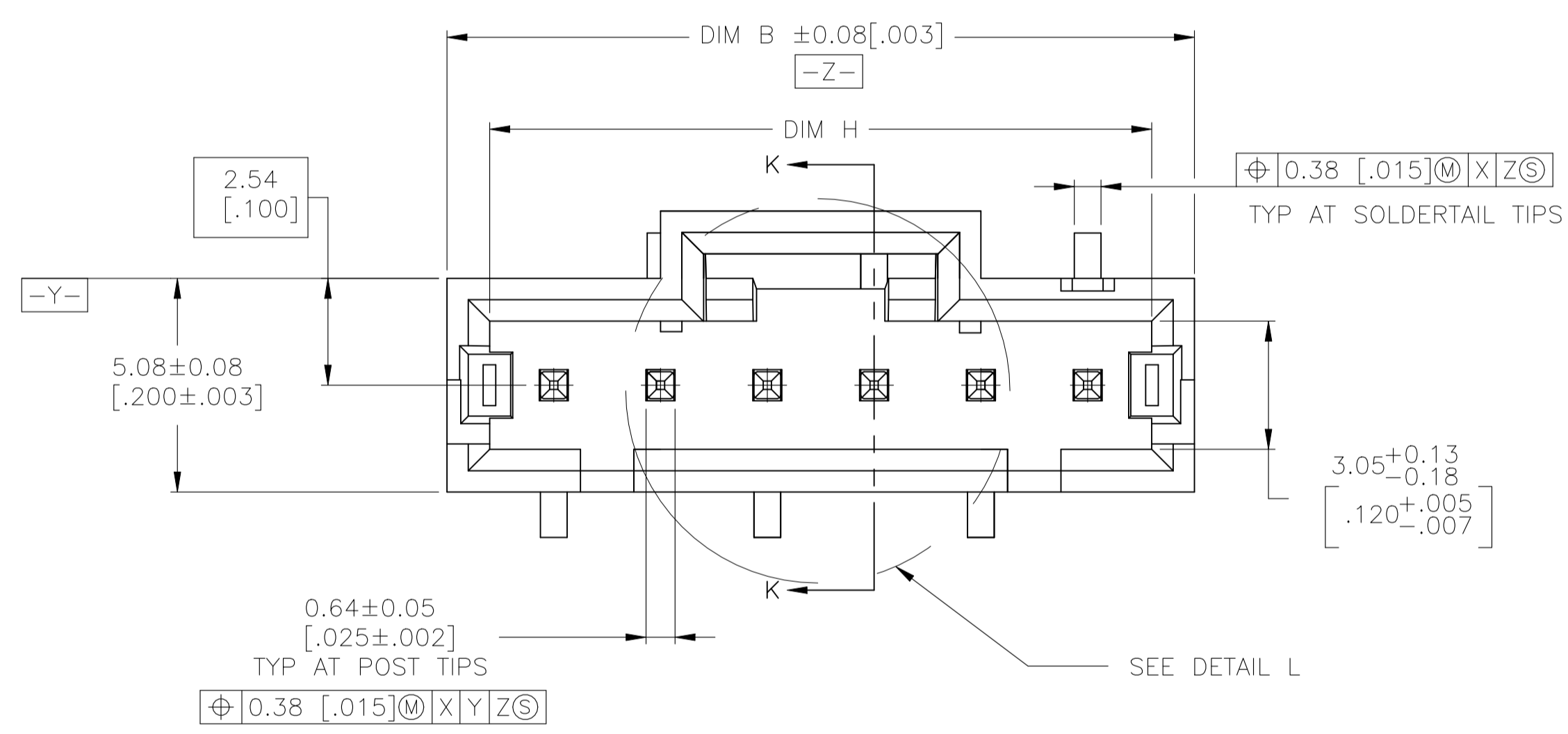


REVISIONS				
REV	DESCRIPTION	DATE	BY	APP'D
G	REVISED PER ECO-20-001912	04JUN2020	SB	JO



- 1 PACKAGE: TUBES
- 2 MATERIAL: HOUSING- HIGH TEMPERATURE LCP, COLOR - BLACK, CONTACTS- BRASS
- 3 FINISH: CONTACTS: 0.00254[.000100] - 0.00508[.000200] BRIGHT TIN-LEAD OVER 0.00127[.000050] NICKEL
- 4 CIRCUIT POSITION #1 IDENTIFICATION MARK
- 5 DATUMS ARE ESTABLISHED BY CUSTOMER
- 6 PRELIMINARY PART - NOT RELEASED FOR PRODUCTION
- 7 FINISH: CONTACTS: 0.00254[.000100] - 0.00508[.000200] MATTE TIN OVER 0.00127[.000050] NICKEL.
- 8 0.25 [.010] RECESS PERMISSIBLE IN THIS AREA FOR MOLD SHUT OFF



REV	DESCRIPTION	H	B	A	NO OF POSN	PART NUMBER
7		41.18[1.620]	43.05[1.695]	38.13[1.500]	16	5-1825574-8
7		10.68[.420]	12.57[.495]	7.63[.300]	4	5-1825574-7
7		43.69[1.720]	45.59[1.795]	40.64[1.600]	17	5-1825574-4
3		15.75[.620]	17.65[.695]	12.70[.500]	6	1825574-6
3		38.61[1.520]	40.51[1.595]	35.56[1.400]	15	1825574-5
3		43.69[1.720]	45.59[1.795]	40.64[1.600]	17	1825574-4
3		36.07[1.420]	37.97[1.495]	33.02[1.300]	14	1825574-3
3		30.99[1.220]	32.89[1.295]	27.94[1.100]	12	1825574-2
3		48.77[1.920]	50.67[1.995]	45.72[1.800]	19	1825574-1

THIS DRAWING IS A CONTROLLED DOCUMENT.

DIMENSIONS: mm [INCHES]	TOLERANCES UNLESS OTHERWISE SPECIFIED:	DIN R BROWN 07MAR06	APVD J GEFSEFORD 06MAR06	NAME
0 PLC ± -	1 PLC ± -	2 PLC ± 0.13 [.005]	3 PLC ± -	4 PLC ANGLES ± -
MATERIAL	FINISH SEE TABLE	WEIGHT	SIZE A1	CAGE CODE -
CUSTOMER DRAWING		SCALE 8:1	SHEET 1 of 1	REV G

AMPMODU MTE SURFACE MOUNT, VERTICAL HEADER ASSEMBLY