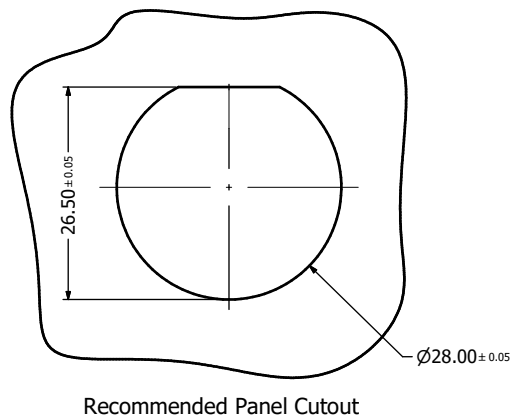
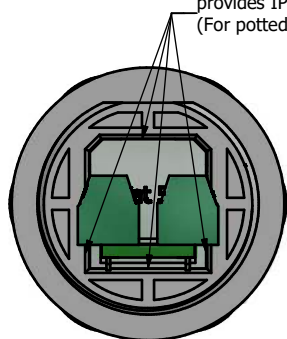


Shielded Cat.5e RJ45 Jack with 4 pos (x2) Terminal Block Accepts AWG16 to 28 Wires

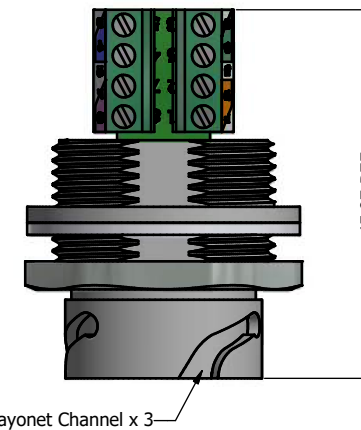
Panel Flange
Receptacle Housing (Plastic in different Colors Bayonet Locking Style)

Panel Gasket
Panel Nut (M28 x 1.5)

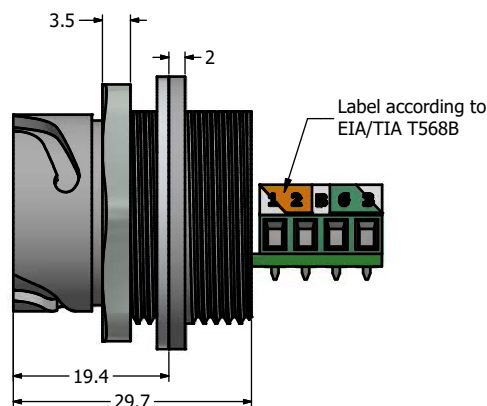
Sealed with Sealing Compound, provides IP67 even when uncovered (For potted version only)



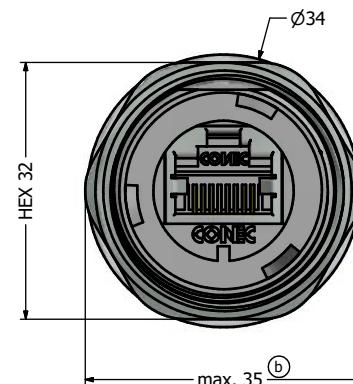
Recommended Panel Cutout



Bayonet Channel x 3



Label according to EIA/TIA T568B



HEX 32

Ø34

max. 35 (b)

Notes:

- Electrical Specifications:
 - Meets EIA/TIA-568-B.2 Cat.5e Specification
 - Contact Resistance: 20mOhm max.
 - Insulation Resistance: 500MOhm min. @ 100 VDC
 - Current Rating: 1.2A max. at 25°C
 - Working Voltage: 100 VDC
 - DWV: 1000 VDC/60s Contact to Contact, 1500 VDC/60s Contact to Metal Shell
 - Operating Temperature: -40°C to +85°C
- Material and Finish:
 - Receptacle Housing: Polyester (Color: see Part Number Table); UL94 V-0
 - Panel Nut: Brass, Finish: Nickel Plated
 - Panel Gasket: Silicon, Color: White
 - Cat.5e RJ45 Jack Metal Shell: Copper Alloy, Nickel Plated
 - Cat.5e RJ45 Jack Plastic Housing: Glass filled PBT UL94 V-0, Color: Black
 - Cat.5e RJ45 Jack Contacts: Phosphor Bronze, Finish: 50u" Gold min. over Nickel
 - PCB: FR-4
 - Terminal Block Insulator: Polyamide, UL94 V-0 Rated
 - Terminal: Brass, Tin Plated
 - Gage Clamp: Brass, Tin Plated
 - M2 Screw: Steel, Zinc Plated
- Connector can be front or rear mounted to a maximum panel thickness of 3.2mm.
- Potted Version must be used, if IP67 required when not capped or mated
- Recommended Mounting Panel Nut Torque is 20 to 25 lb-inch

Description	Colored Plastic Receptacle Housing with Shielded Cat.5e RJ45 Jack with Terminal Block					
Plastic Receptacle Housing Color	Black	Blue	Green	Yellow	Red	White
Unpotted Version Part Number	17-110054	17-110064	17-110074	17-110084	17-110094	17-110104
Potted Version Part Number	17-110114	17-110124	17-110134	17-110144	17-110154	17-110164

RoHS compliant

THIS DRAWING MAY NOT BE COPIED OR REPRODUCED IN ANY MANNER WITHOUT THE WRITTEN PERMISSION OF CONEC CORPORATION OWNERSHIP AND COPYRIGHT OF CONEC CORPORATION	Customer:			Tolerance Unless otherwise specified 0 PLC ±0.50 1 PLC ±0.38 2 PLC ±0.25 3 PLC ±0.10 ANGLES ±3°		Scale:	Dim. in mm
	Name	Title	Approval Date			Material: See Notes	
	2012 Date Name Draw. Oct. 09 Vincent Ke Appd. Oct. 09 J. Chaudry					Title: Receptacle Assembly Kit Colored Plastic Receptacle Housing with Cat. 5e RJ45 Jack and Terminal Block	
	1 x b A21-04.26 03.11.2021 Bub a original Rev. Changes Date Name					Drawing No.: 17K1A345 Part No.: SEE PART NUMBER TABLE	
			DIN A3 Sheet 1/1				