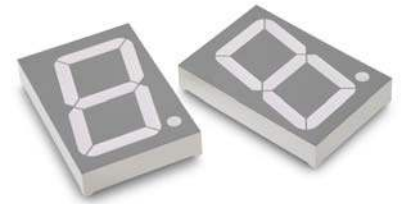


# HDSP-H2x1/H2x3

## 2.3" Single Digit PCB Based LED Display



### Data Sheet



#### Description

The HDSP-H2x1/H2x3 is a 2.3 inch high, single-digit display series. These halogenated devices utilize AlInGaP red, green and deep red chips. This device is halogenated.

All devices are categorized for luminous intensity. The green device is categorized for color. Use of similar device categories yields a uniform display.

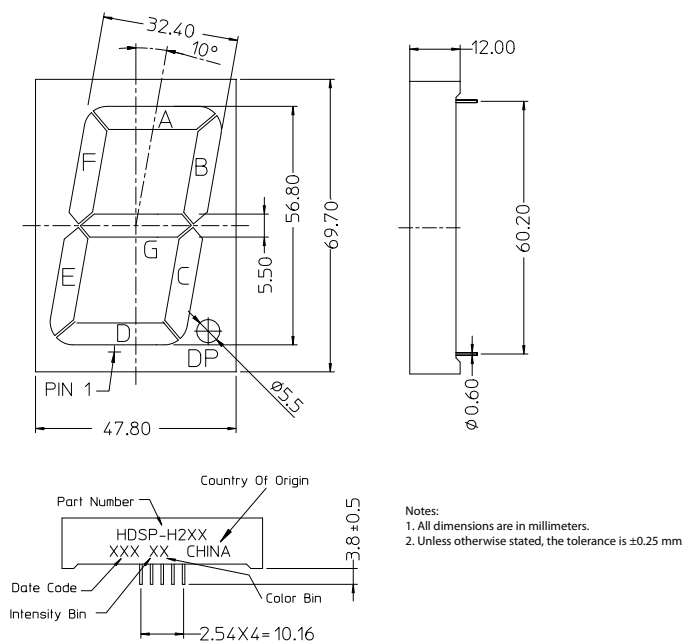
#### Features

- High reliability
- Excellent characters appearance
- Available in CA and CC
- RoHS Compliant
- Gray top surface with white diffused segments.

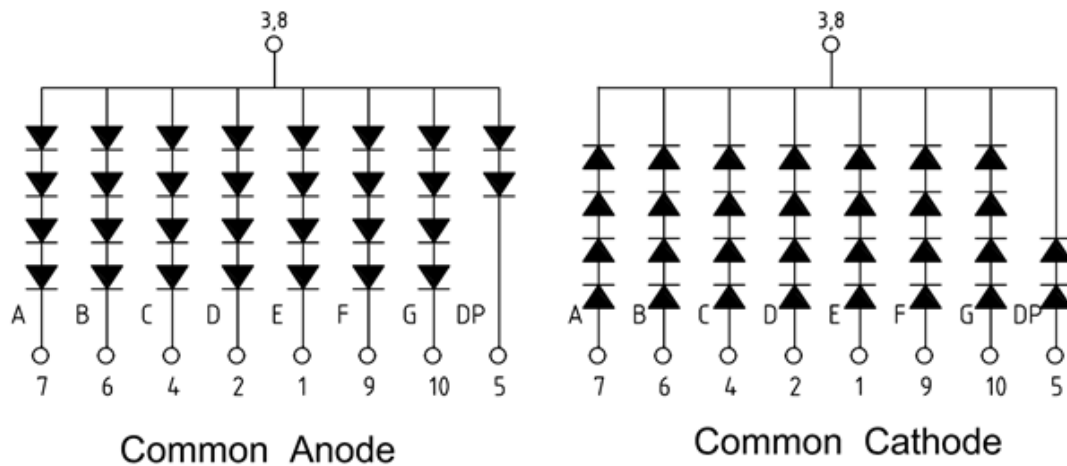
**Table 1 Ordering Information**

| Red       | Green     | Deep Red  | Description                        |
|-----------|-----------|-----------|------------------------------------|
| HDSP-H2E1 | HDSP-H2G1 | HDSP-H2A1 | Common Anode, Right Hand Decimal   |
| HDSP-H2E3 | HDSP-H2G3 | HDSP-H2A3 | Common Cathode, Right Hand Decimal |

**Figure 1 Package Dimension**



**Figure 2 Circuit Diagram**



**Table 2 Absolute Maximum Ratings at  $T_A = 25^\circ\text{C}$**

| Parameter   | Symbol | Red/Green/Deep Red                       | Units                |
|---|--------|--|----------------------|
| Power Dissipation per segment or Dot Point (DP)                             | $P_D$  | 208/104                                  | mW                   |
| Continuous Forward Current per segment                                      | $I_F$  | 20                                       | mA                   |
| Peak Forward Current per segment<br>(1/10 Duty Cycle, 0.1m sec pulse width) |        | 100                                      | mA                   |
| Derating Linearly from $25^\circ\text{C}$ per segment                       |        | 0.21                                     | mA/ $^\circ\text{C}$ |
| Reverse Voltage per segment or DP   | $V_R$  | Not designed for reverse biasing         |                      |
| Operating Temperature   | $T_O$  | -40 to 85                                | $^\circ\text{C}$     |
| Storage Temperature   | $T_S$  | -40 to 85                                | $^\circ\text{C}$     |
| Wave solder Condition 1.6mm below body                                      |        | 260 $^\circ\text{C}$ peak for 3 secs max |                      |

**Table 3 Red Electrical/Optical Characteristics at  $T_A = 25^\circ\text{C}$**

| Parameter   | Symbol      | Min | Typ     | Max      | Units         | Test Conditions                          |
|---|-------------|-----|---------|----------|---------------|--|
| Average Luminous Intensity (Digit Average)                | $I_v$       | —   | 105     | —        | mcd           | $I_F = 10\text{ mA}$                     |
| Peak Wavelength   | $\lambda_p$ | —   | 634     | —        | nm            | $I_F = 20\text{ mA}$                     |
| Dominant Wavelength                                       | $\lambda_d$ | —   | 625     | —        | nm            | $I_F = 20\text{ mA}$                     |
| Forward Voltage per segment / DP                          | $V_F$       | —   | 8.0/4.0 | 10.4/5.2 | V             | $I_F = 20\text{ mA}$                     |
| Reverse Current per segment / DP <sup>a</sup>             | $I_R$       | —   | —       | 100      | $\mu\text{A}$ | $V_R = 20\text{V}/10\text{V}(\text{DP})$ |
| Luminous Intensity Matching Ratio<br>(Segment to Segment) | $I_{v-M}$   | —   | 2:1     | —        | —             | $I_F = 10\text{ mA}$                     |

a. Indicates production go-no-go test only. Long term reverse biasing is not recommended.

**Table 4 Green Electrical/Optical Characteristics at  $T_A = 25^\circ\text{C}$**

| Parameter  | Symbol      | Min | Typ     | Max      | Units         | Test Conditions                          |
|--|-------------|-----|---------|----------|---------------|--|
| Average Luminous Intensity (Digit Average)             | $I_V$       | —   | 38      | —        | mcd           | $I_F = 10\text{ mA}$                     |
| Peak Wavelength  | $\lambda_p$ | —   | 570     | —        | nm            | $I_F = 20\text{ mA}$                     |
| Dominant Wavelength                                    | $\lambda_d$ | —   | 571     | —        | nm            | $I_F = 20\text{ mA}$                     |
| Forward Voltage per segment / DP                       | $V_F$       | —   | 8.0/4.0 | 10.4/5.2 | V             | $I_F = 20\text{ mA}$                     |
| Reverse Current per segment / DP <sup>a</sup>          | $I_R$       | —   | —       | 100      | $\mu\text{A}$ | $V_R = 20\text{V}/10\text{V}(\text{DP})$ |
| Luminous Intensity Matching Ratio (Segment to Segment) | $I_{V-M}$   | —   | 2:1     | —        | —             | $I_F = 10\text{ mA}$                     |

a. Indicates production go-no-go test only. Long term reverse biasing is not recommended.

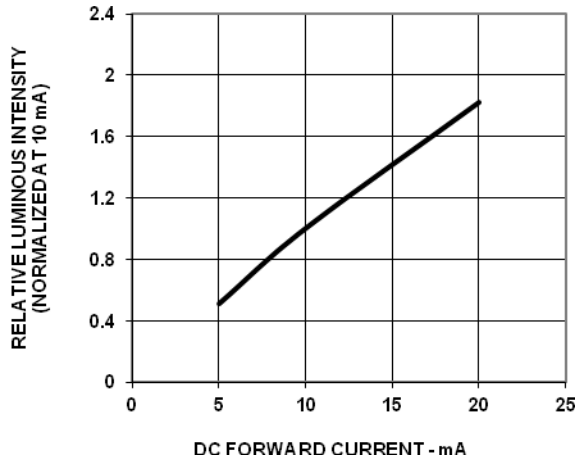
**Table 5 Deep Red Electrical/Optical Characteristics at  $T_A = 25^\circ\text{C}$**

| Parameter  | Symbol      | Min | Typ     | Max      | Units         | Test Conditions      |
|--|-------------|-----|---------|----------|---------------|----------------------|
| Average Luminous Intensity (Digit Average)             | $I_V$       | —   | 95      | —        | mcd           | $I_F = 10\text{ mA}$ |
| Peak Wavelength  | $\lambda_p$ | —   | 644     | —        | nm            | $I_F = 20\text{ mA}$ |
| Dominant Wavelength                                    | $\lambda_d$ | —   | 635     | —        | nm            | $I_F = 20\text{ mA}$ |
| Forward Voltage per segment / DP                       | $V_F$       | —   | 8.0/4.0 | 10.4/5.2 | V             | $I_F = 20\text{ mA}$ |
| Reverse Current per segment / DP <sup>a</sup>          | $I_R$       | —   | —       | 100      | $\mu\text{A}$ | 20V/10V(DP)          |
| Luminous Intensity Matching Ratio (Segment to Segment) | $I_{V-M}$   | —   | 2:1     | —        | —             | $I_F = 10\text{ mA}$ |

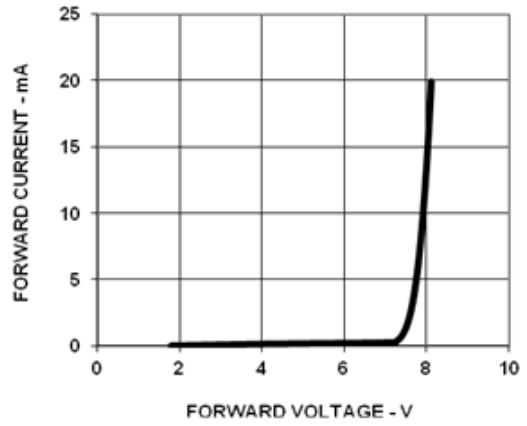
a. Indicates production go-no-go test only. Long term reverse biasing is not recommended.

## Red

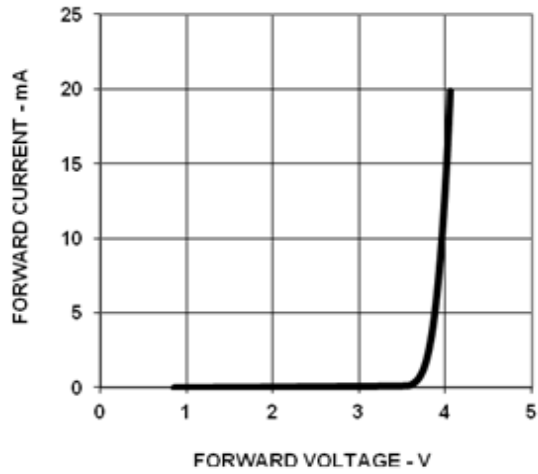
**Figure 3** Relative Luminous Intensity Vs Forward Current



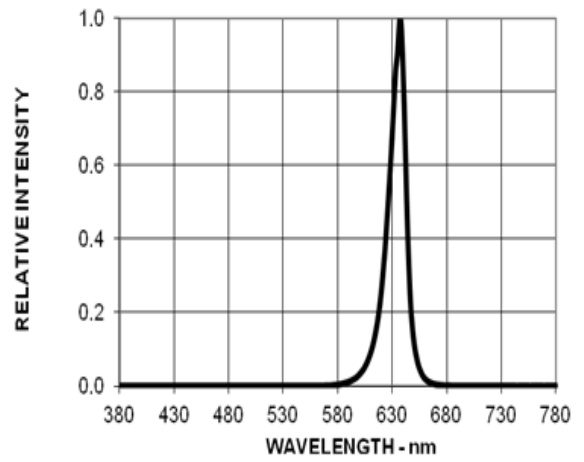
**Figure 4** Forward Voltage Vs Current (Segment)



**Figure 5** Forward Voltage Vs Current (DP)

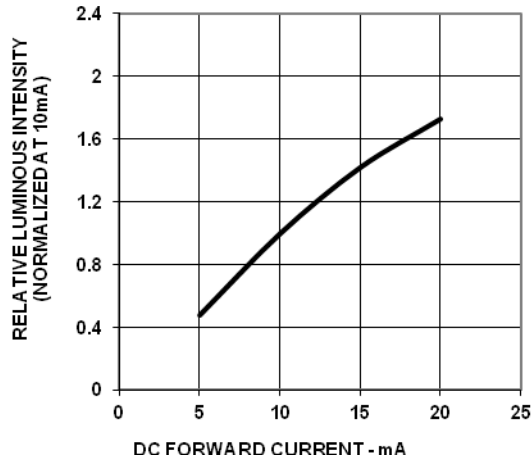


**Figure 6** Relative Luminous Intensity Vs Wavelength

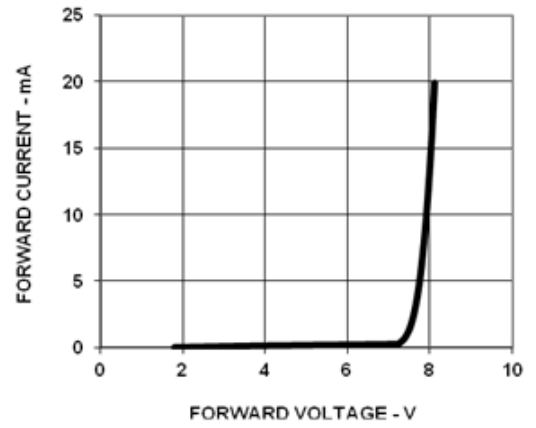


## Green

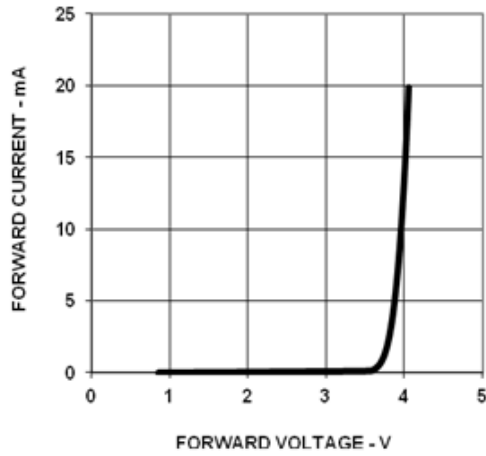
**Figure 7** Relative Luminous Intensity Vs Forward Current



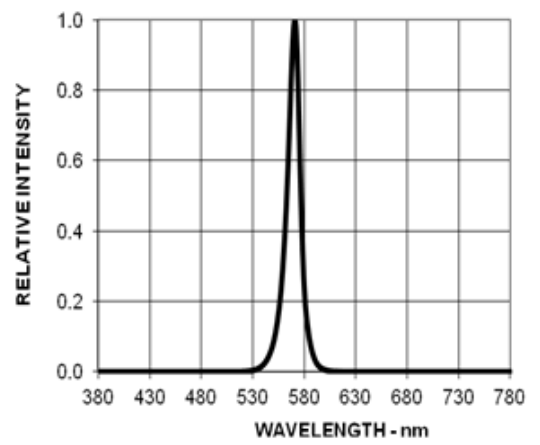
**Figure 8** Forward Voltage Vs Current (Segment)



**Figure 9** Forward Voltage Vs Current (DP)

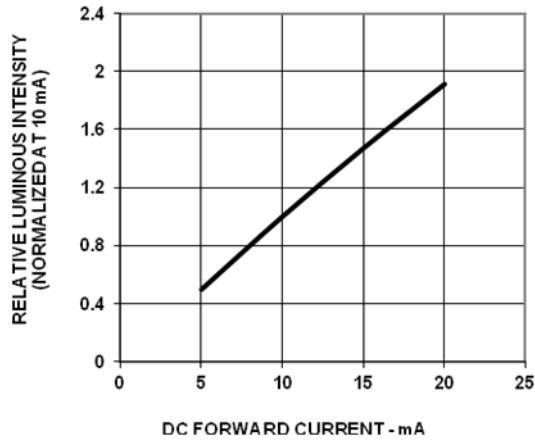


**Figure 10** Relative Luminous Intensity Vs Wavelength

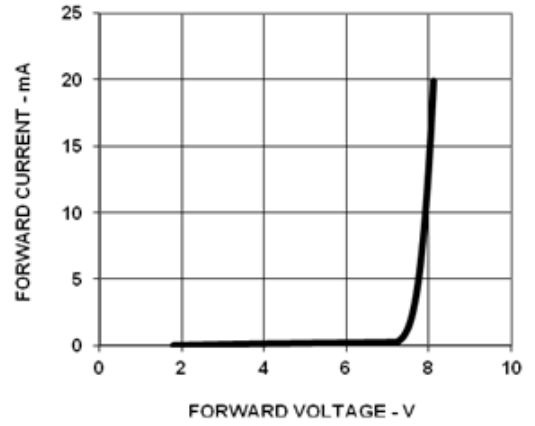


# Deep Red

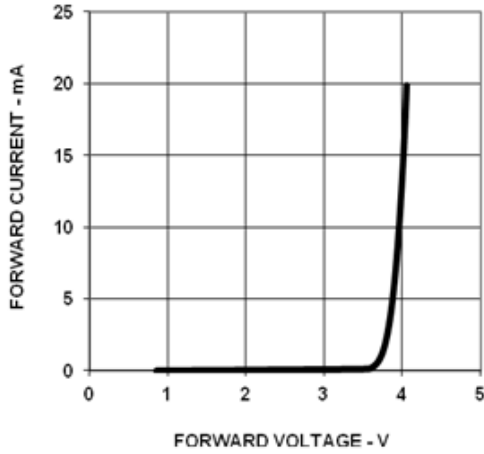
**Figure 11** Relative Luminous Intensity Vs Forward Current



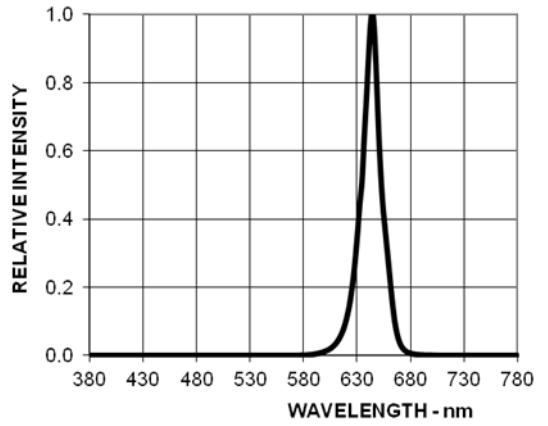
**Figure 12** Forward Voltage Vs Current (Segment)



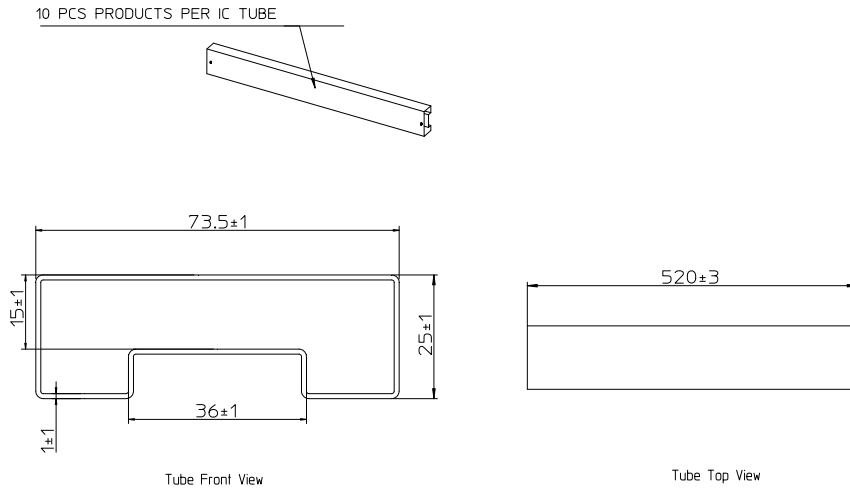
**Figure 13** Forward Voltage Vs Current (DP)



**Figure 14** Relative Luminous Intensity Vs Wavelength



# Packing Tube Specifications



## Reference

For further information on soldering LEDs, please refer to Avago Technologies Application Note 1027.

---

For product information and a complete list of distributors, please go to our web site:

[www.avagotech.com](http://www.avagotech.com)

Avago Technologies and the A logo are trademarks of Avago Technologies in the United States and other countries. All other brand and product names may be trademarks of their respective companies.

Data subject to change. Copyright © 2015 Avago Technologies. All Rights Reserved.

pub-005315 – December 16, 2015

