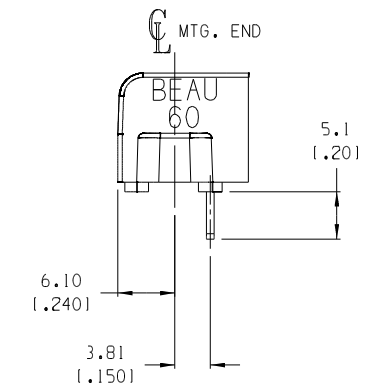
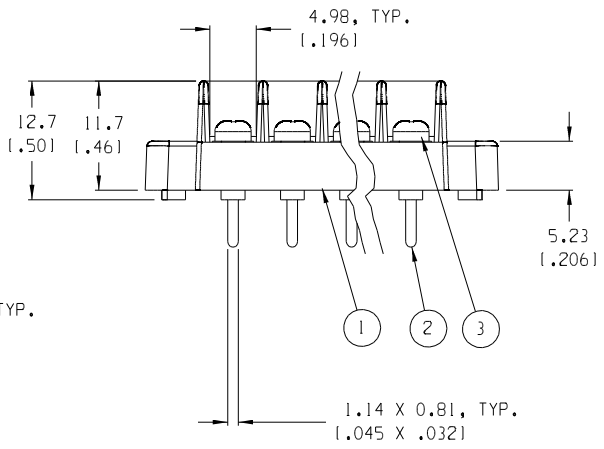
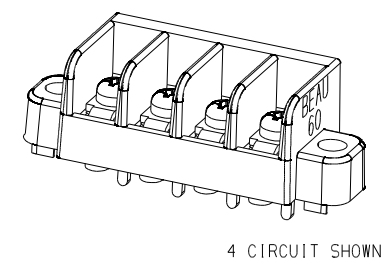
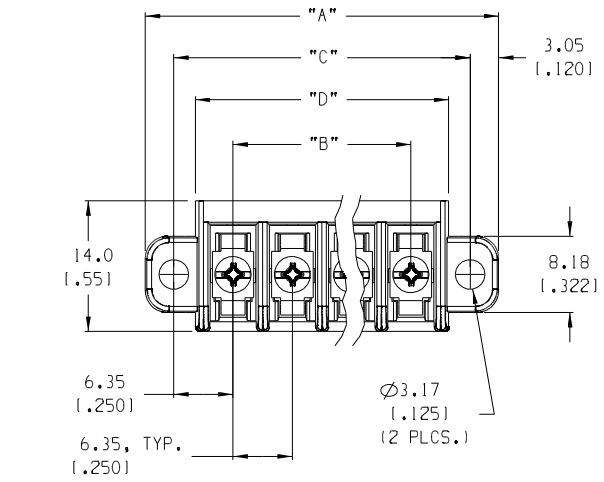
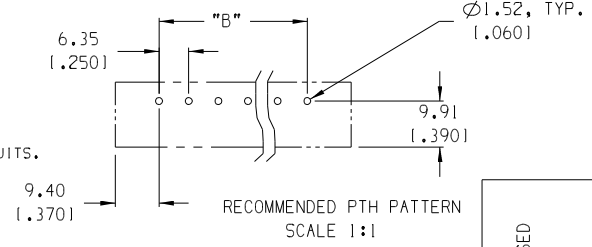


| | 10 | 9 | | 8 | | 7 | | | 5 | 4 | 3 | 2 | |
|---|--------------------|--------------|----------------|----------------|--------------|-----------------------|--|--|---|---|---|---|--|
| | QTY. OF CIRC. "XX" | DIM. "A" | DIM. "B" | DIM. "C" | DIM. "D" | MATERIAL # (STANDARD) | | | | | | | |
| F | 02 | 25.1 (1.99) | 6.35 (1.250) | 19.05 (1.750) | 14.4 (1.57) | 38600-6402 | | | | | | | |
| F | 03 | 31.5 (1.24) | 12.70 (1.500) | 25.40 (1.000) | 20.8 (1.82) | 38600-6403 | | | | | | | |
| F | 04 | 37.8 (1.49) | 19.05 (1.750) | 31.75 (1.250) | 27.1 (1.07) | 38600-6404 | | | | | | | |
| F | 05 | 44.2 (1.74) | 25.40 (1.000) | 38.10 (1.500) | 33.5 (1.32) | 38600-6405 | | | | | | | |
| F | 06 | 50.5 (1.99) | 31.75 (1.250) | 44.45 (1.750) | 39.8 (1.57) | 38600-6406 | | | | | | | |
| F | 07 | 56.9 (2.24) | 38.10 (1.500) | 50.80 (2.000) | 46.2 (1.82) | 38600-6407 | | | | | | | |
| F | 08 | 63.2 (2.49) | 44.45 (1.750) | 57.15 (2.250) | 52.5 (2.07) | 38600-6408 | | | | | | | |
| E | 09 | 69.6 (2.74) | 50.80 (2.000) | 63.50 (2.500) | 58.9 (2.32) | 38600-6409 | | | | | | | |
| E | 10 | 75.9 (2.99) | 57.15 (2.250) | 69.85 (2.750) | 65.2 (2.57) | 38600-6410 | | | | | | | |
| E | 11 | 82.3 (3.24) | 63.50 (2.500) | 76.20 (3.000) | 71.6 (2.82) | 38600-6411 | | | | | | | |
| E | 12 | 88.6 (3.49) | 69.85 (2.750) | 82.55 (3.250) | 77.9 (3.07) | 38600-6412 | | | | | | | |
| E | 13 | 95.0 (3.74) | 76.20 (3.000) | 88.90 (3.500) | 84.3 (3.32) | 38600-6413 | | | | | | | |
| E | 14 | 101.3 (3.99) | 82.55 (3.250) | 95.25 (3.750) | 90.6 (3.57) | 38600-6414 | | | | | | | |
| E | 15 | 107.7 (4.24) | 88.90 (3.500) | 101.60 (4.000) | 97.0 (3.82) | 38600-6415 | | | | | | | |
| E | 16 | 114.0 (4.49) | 95.25 (3.750) | 107.95 (4.250) | 103.3 (4.07) | 38600-6416 | | | | | | | |
| D | 17 | 120.4 (4.74) | 101.60 (4.000) | 114.30 (4.500) | 109.7 (4.32) | 38600-6417 | | | | | | | |
| D | 18 | 126.7 (4.99) | 107.95 (4.250) | 120.65 (4.750) | 116.0 (4.57) | 38600-6418 | | | | | | | |
| D | 19 | 133.1 (5.24) | 114.30 (4.500) | 127.00 (5.000) | 122.4 (4.82) | 38600-6419 | | | | | | | |
| D | 20 | 139.4 (5.49) | 120.65 (4.750) | 133.35 (5.250) | 128.7 (5.07) | 38600-6420 | | | | | | | |
| D | 21 | 145.8 (5.74) | 127.00 (5.000) | 139.70 (5.500) | 135.1 (5.32) | 38600-6421 | | | | | | | |
| D | 22 | 152.1 (5.99) | 133.35 (5.250) | 146.05 (5.750) | 141.4 (5.57) | 38600-6422 | | | | | | | |
| D | 23 | 158.5 (6.24) | 139.70 (5.500) | 152.40 (6.000) | 147.8 (5.82) | 38600-6423 | | | | | | | |
| D | 24 | 164.8 (6.49) | 146.05 (5.750) | 158.75 (6.250) | 154.1 (6.07) | 38600-6424 | | | | | | | |
| D | 25 | 171.2 (6.74) | 152.40 (6.000) | 165.10 (6.500) | 160.5 (6.32) | 38600-6425 | | | | | | | |
| D | 26 | 177.5 (6.99) | 158.75 (6.250) | 171.45 (6.750) | 166.8 (6.57) | 38600-6426 | | | | | | | |
| D | 27 | 183.9 (7.24) | 165.10 (6.500) | 177.80 (7.000) | 173.2 (6.82) | 38600-6427 | | | | | | | |
| D | 28 | 190.2 (7.49) | 171.45 (6.750) | 184.15 (7.250) | 179.5 (7.07) | 38600-6428 | | | | | | | |
| C | 29 | 196.6 (7.74) | 177.80 (7.000) | 190.50 (7.500) | 185.9 (7.32) | 38600-6429 | | | | | | | |
| C | 30 | 202.9 (7.99) | 184.15 (7.250) | 196.85 (7.750) | 192.2 (7.57) | 38600-6430 | | | | | | | |
| C | 31 | 209.3 (8.24) | 190.50 (7.500) | 203.20 (8.000) | 198.6 (7.82) | 38600-6431 | | | | | | | |
| C | 32 | 215.6 (8.49) | 196.85 (7.750) | 209.55 (8.250) | 204.9 (8.07) | 38600-6432 | | | | | | | |



- NOTES:
1. MATERIAL: SEE TABLE
 2. FINISHES: SEE TABLE
 3. PRODUCT SPECIFICATION: NOT REQUIRED
 4. PACKAGING: NOT REQUIRED
 5. MATES WITH: NONE
 6. "XX" REFERS TO THE QUANTITY OF CIRCUITS.



| 3 | XX | SCREW, #3-48, FILLISTER HEAD, PHIL-SLOT | BRASS | NICKEL PLATE |
|------|------|---|----------|---------------|
| 2 | XX | TERMINAL, PC | BRASS | TIN PLATE |
| 1 | I | INSULATOR, SR, CLOSED SIDE | BLACK | THERMOPLASTIC |
| ITEM | QTY. | DESCRIPTION | MATERIAL | FINISH |

| | | | | | | |
|---|--------------------|--|---|---|--|-----------|
| EC NO. RELEASED CLY DRW: CH'K: APPR: | DESCRIPTION REV | QUALITY SYMBOLS MAJOR CRITICAL SPC | GENERAL TOLERANCES: (UNLESS SPECIFIED) mm INCH 4 PLACES ±.0015 3 PLACES ±.038 ±.005 2 PLACES ±.13 ±.01 1 PLACE ±.3 ANGULAR: ±2° | SCALE 2:1 DESIGN UNITS <input type="checkbox"/> mm <input checked="" type="checkbox"/> INCH DRAWN BY & DATE C. YORK 11-22-04 CHECKED BY & DATE APPROVED BY & DATE | THIRD ANGLE PROJECTION TITLE: 6.35mm (.250") SR BTS ASSY, CLOSED SIDE MOLEX INCORPORATED | |
| | | CAD FILENAME 605XX | MATERIAL NO. SEE CHART | DRAWING NO. SD-38600-002 | SHEET NO. 1 OF 1 | |
| | | DRAFT WHERE APPLICABLE MUST REMAIN WITHIN DIMENSIONS | | | THIS DRAWING CONTAINS INFORMATION THAT IS PROPRIETARY TO MOLEX INCORPORATED AND SHOULD NOT BE USED WITHOUT WRITTEN PERMISSION. | SIZE B |
| | | PROJECT NO. - - - DIMENSIONS: <input checked="" type="checkbox"/> mm <input type="checkbox"/> INCH <input type="checkbox"/> mm ONLY SHT REV REVISE ON CAD ONLY | | | | |