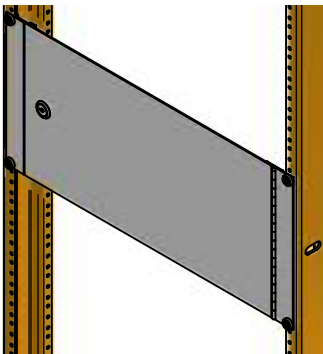
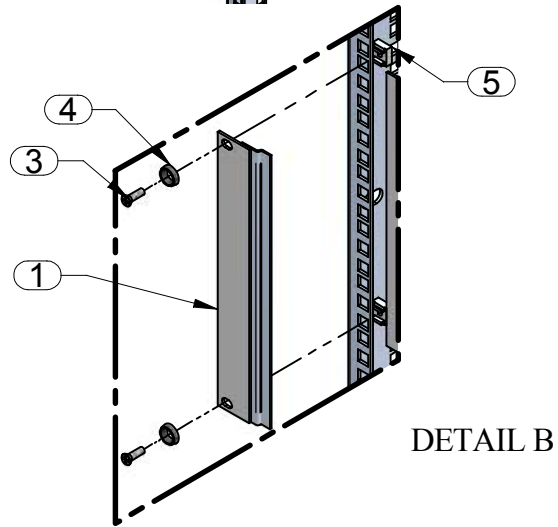
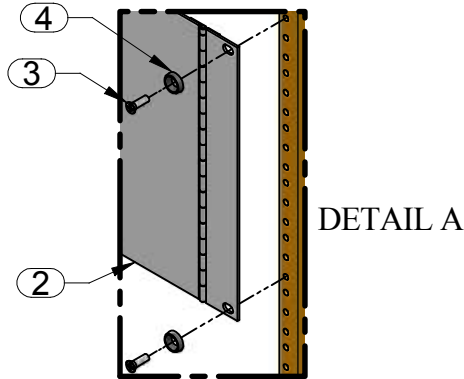
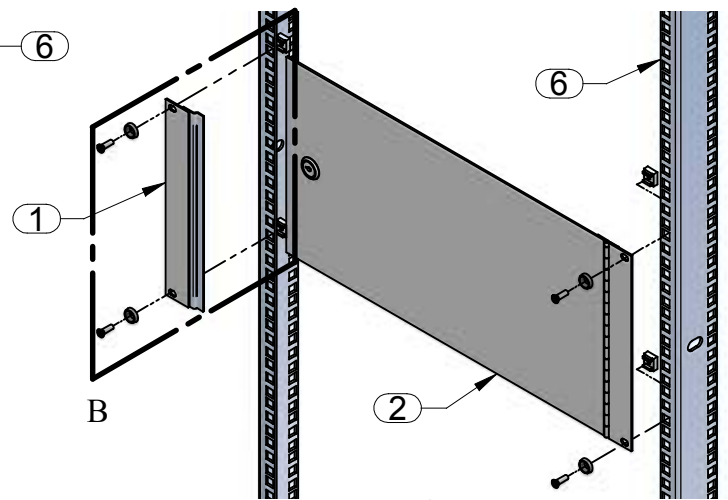
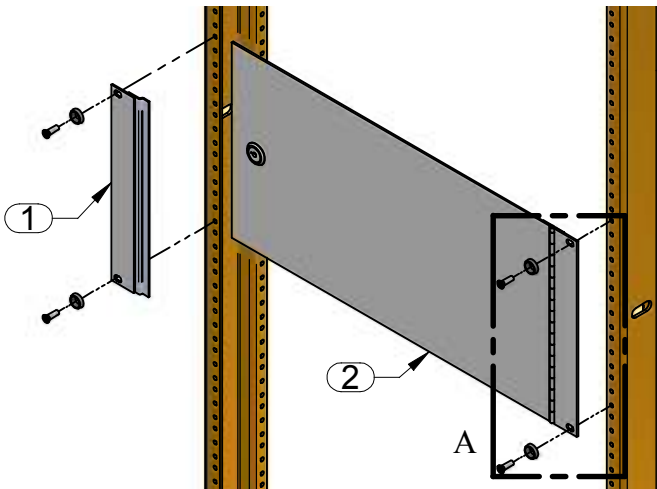


# PHPF - SERIES

## ASSEMBLY INSTRUCTIONS FOR HINGED FLAT DOOR PANEL

BUL10367  
REV. A  
PAGE 1 OF 1



COMPLETE ASSEMBLY

### ASSEMBLY INSTRUCTIONS:

- A) Select the height at which to mount the hinged flat door panel (items 1 & 2) on the combination rails (item 6).
- B) If mounting rails have square cutouts insert 2 cage nuts (item 5) per rail at desired height for the door panel. This can be done using a cage nut insertion tool. (Detail B)
- C) Start with the doorstop assembly (item 1). Line up the mounting slots of the doorstop assembly with the holes on the combination rail (item 6). Secure with screws and washers (items 3 & 4) purchased for the combination rails (items 6). (Detail A & B)
- D) Once the doorstop assembly is secure. Mount and fasten the hinged door panel (item 2) by following instruction in step C.

#### PARTS LIST

ITEM No.	DESCRIPTION	QTY
1	DOOR STOP ASSEMBLY	1
2	HINGED DOOR PANEL	1
3	SCREWS (NOT INCLUDED)	4
4	WASHERS (NOT INCLUDED)	4
5	CAGE NUTS (NOT INCLUDED)	4
6	COMBINATION RAILS (NOT INCLUDED)	2

#### TOOL BOX



#2 Phillips Head  
Screw Driver



**HAMMOND**  
**MANUFACTURING™**  
ELECTRONICS GROUP

visit our website @ [www.hammondmfg.com](http://www.hammondmfg.com)