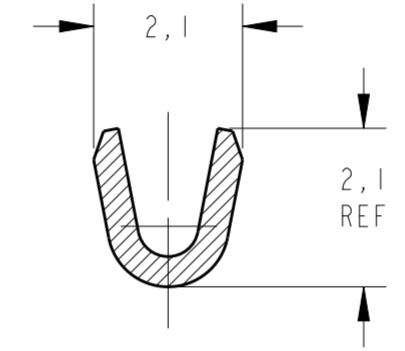
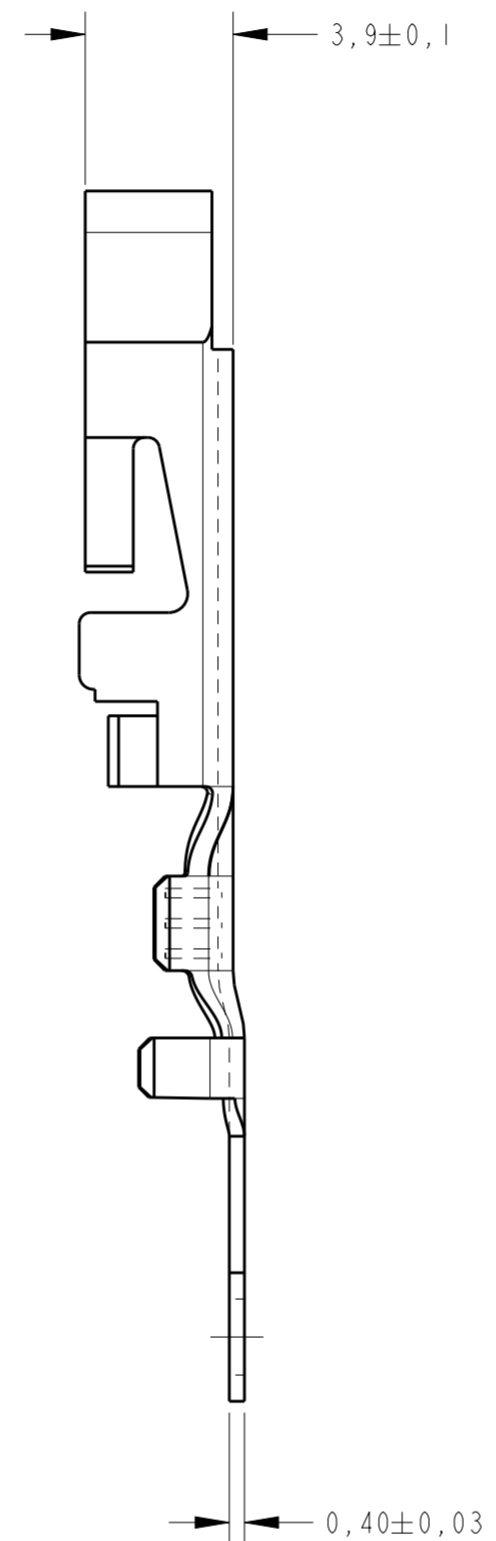
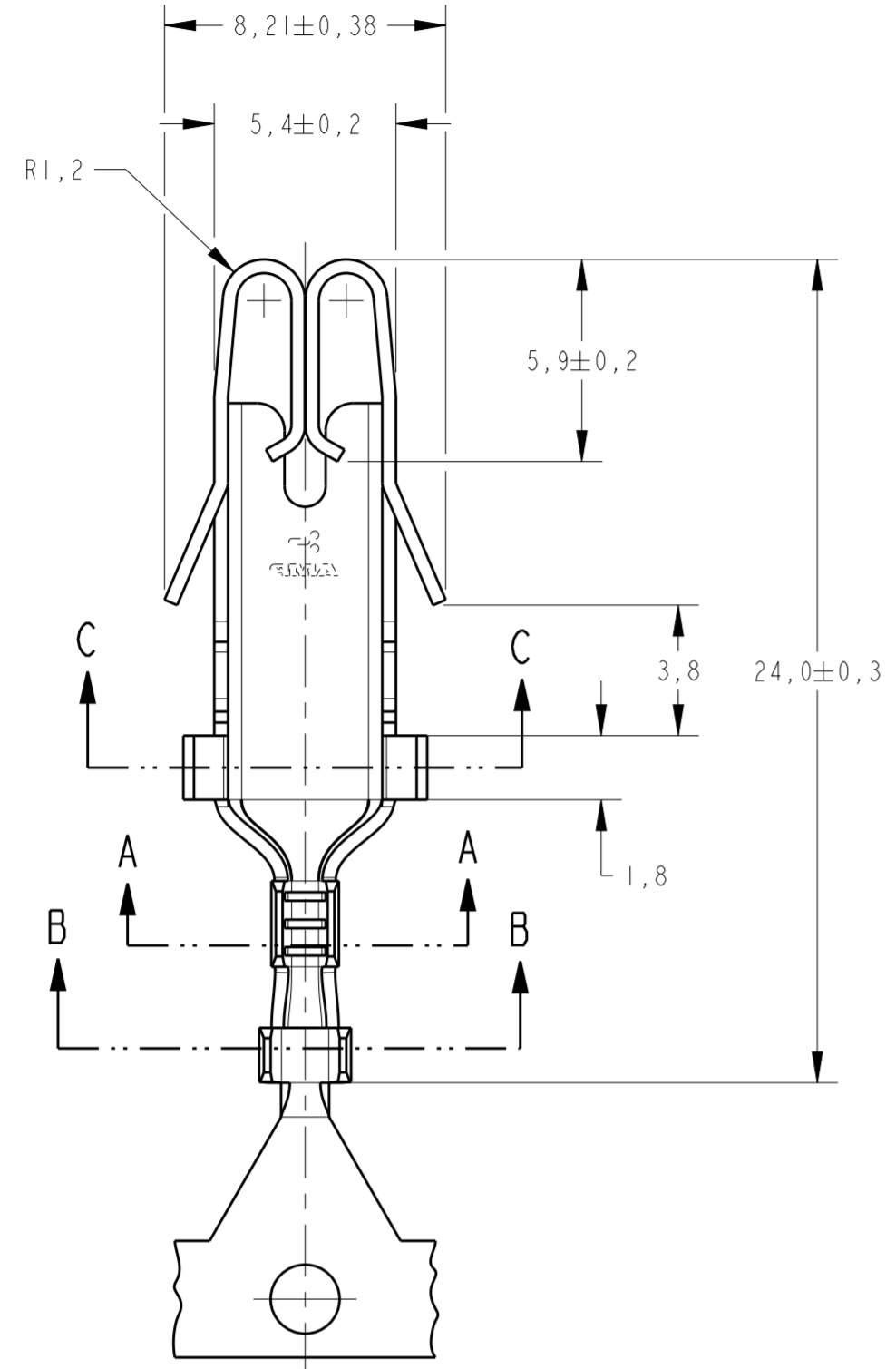


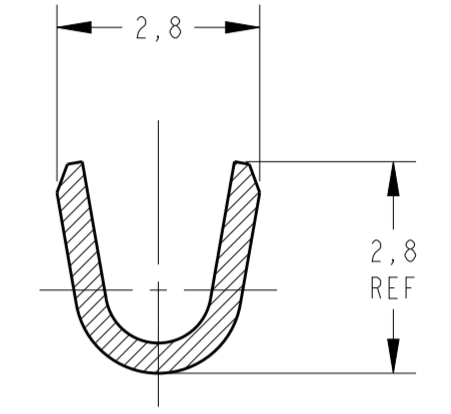
THIS DRAWING IS UNPUBLISHED. RELEASED FOR PUBLICATION 20
 © COPYRIGHT 20 BY - ALL RIGHTS RESERVED.

creo
 Creo Parametric 2.0
 DO NOT REVISE
 EXCEPT BY CAD

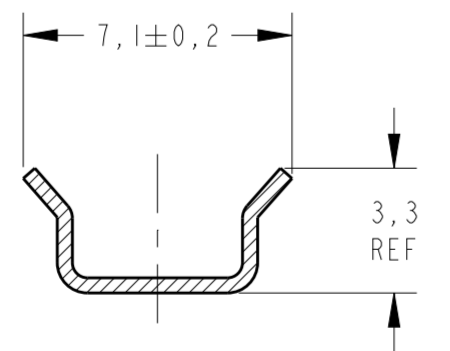
REVISIONS					
P	LTR	DESCRIPTION	DATE	DWN	APVD
B		REDRAW BY CAD ECO-14-013531	05SEP2014	NCL	LWP



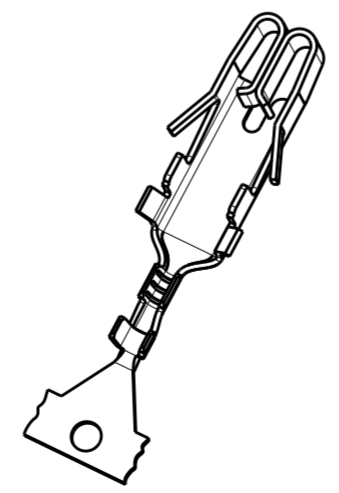
SECTION A-A
SCALE 10:1



SECTION B-B
SCALE 10:1



SECTION C-C



PERSPECTIVE VIEW
SCALE 2:1

WIRE RANGE 0,2-0,35mm ²	PRE-ESTANHADO / PRE TINNED ---	LATÃO / BRASS	880397-2
INSUL RANGE Ø 1,15-1,6mm	FINISH	LATÃO / BRASS	880397-1
THIS DRAWING IS A CONTROLLED DOCUMENT.		MATERIAL	
DWN: NCLAPRESA 05SEP2014 CHK: ECHRISTIANO 05SEP2014 APVD: LWPRADO 05SEP2014		PART NUMBER	
DIMENSIONS: mm		NAME	
TOLERANCES UNLESS OTHERWISE SPECIFIED: 0 PLC ± 1 PLC ±0,5 2 PLC ± 3 PLC ± 4 PLC ± ANGLES ±° FINISH		TE Connectivity	
MATERIAL SEE TABLE		FUSE CONTACT	
SEE TABLE		SIZE CAGE CODE DRAWING NO RESTRICTED TO	
-		A2 00779 C-1380317 -	
Customer Drawing		SCALE 2:1 SHEET 5:1 OF 1 REV B	