

PART
NAME

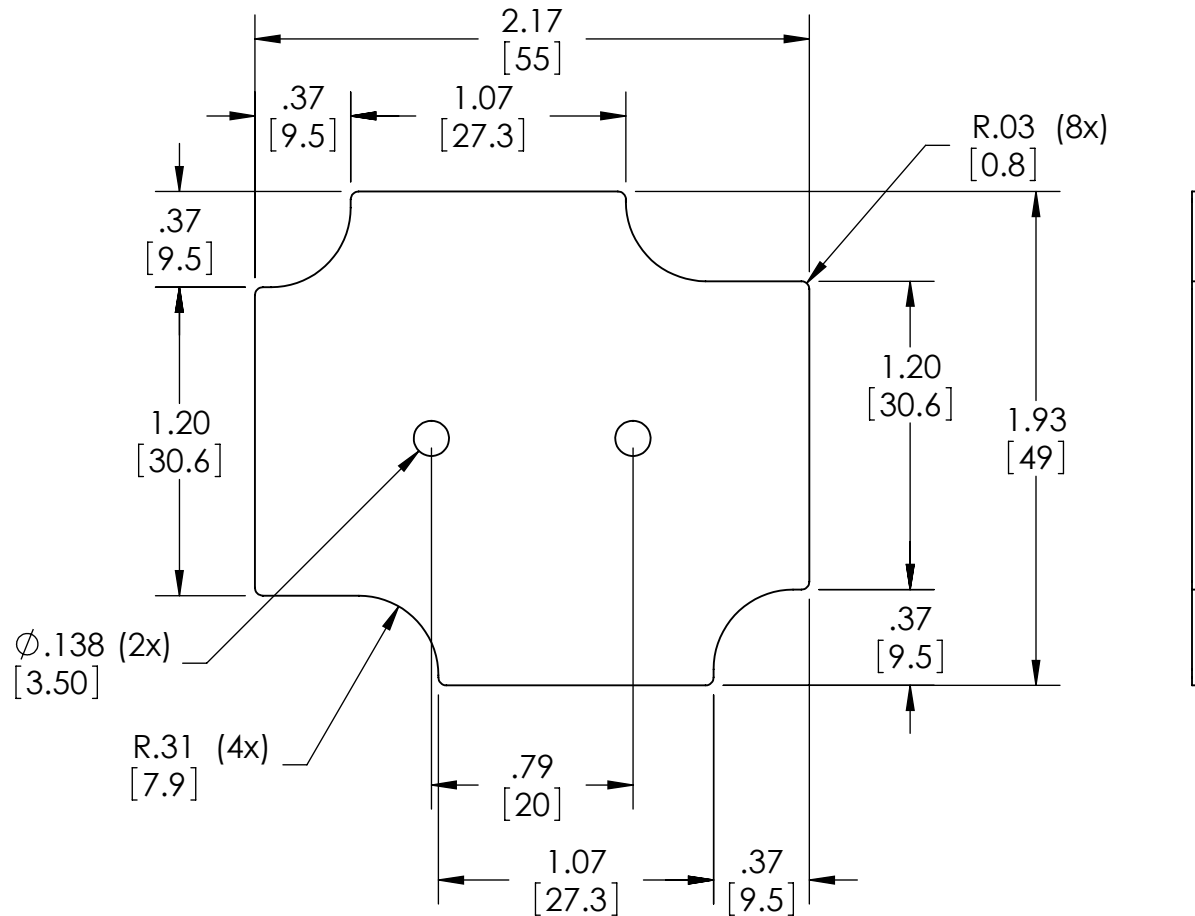
INTERNAL PANEL

PART
No.

PNX-91420

REV.
DATE

5-11-11



MATERIAL - .060 [1.5mm] THK. ALUMINUM

FINISH - NATURAL

SUPPLIED WITH M3 x 6mm LG. SELF-THREADING SCREWS
(PAN HD., PHILLIPS DRIVE, STEEL, ZINC PLATED) FOR
MOUNTING.

PANEL FITS THE FOLLOWING ENCLOSURES:
PN-1320, PN-1320-DG, PN-1320-C, PN-1320-MB, PN-1320-DGMB &
PN-1320-CMB