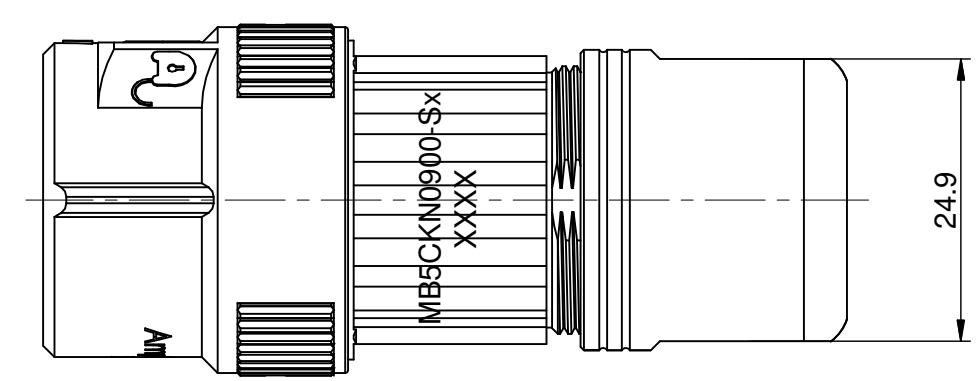
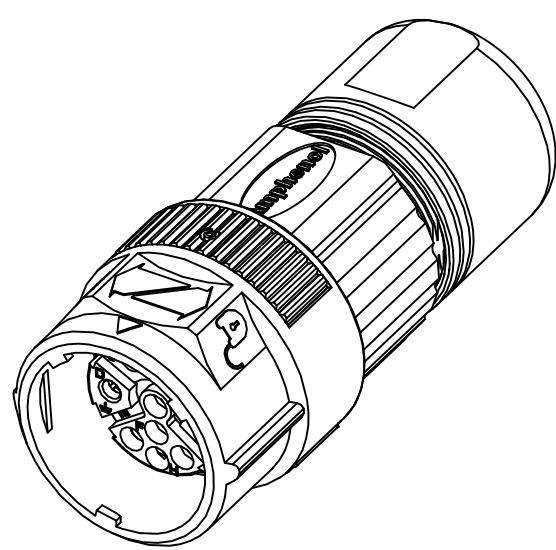
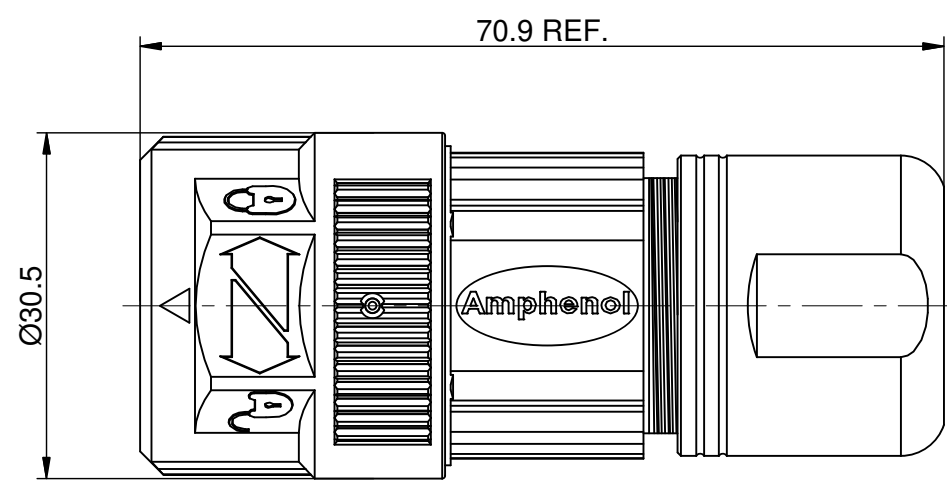
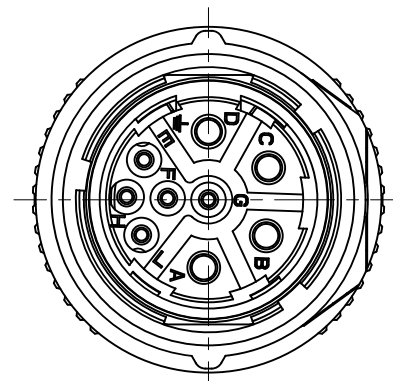


| REVISIONS |     |               |             |       |       |
|-----------|-----|---------------|-------------|-------|-------|
| REV       | ECO | DESCRIPTION   | DATE        | BY    | APPR  |
| A1        | -   | FIRST RELEASE | Oct.26,2015 | Drack | Tommy |



NOTES: UNLESS OTHERWISE SPECIFIED

- MATERIAL:
  - INSULATION INSERT: PA66, UL94 V0
  - SEAL: VITON, SILICONE, EPDM
  - HOUSING BODY: ZINC DIE CAST, NICKEL PLATED
  - COUPLING NUT: COPPER ALLOY, NICKEL PLATED
- SPECIFICATIONS:
  - 2.1 CURRENT RATING: SIGNAL: 10 AMPS  
POWER: 30AMPS
  - 2.2 VOLTAGE RATING: SIGNAL: 250V AC/DC  
POWER: 630V AC/DC
  - 2.3 OPERATING TEMPERATURE: -20°C TO +130°C
  - 2.4 DIELECTRIC WITHSTANDING VOLTAGE: LESS THAN 2  
MILLIAMPS CURRENT LEAKAGE @ SIGNAL: 2500VOLTS AC.  
POWER: 6000 VOLTS AC.
  - 2.5 DEGREE OF PROTECTION: IP67 ( MATED CONDITION )
  - 2.6 DEGREE OF POLLUTION: 3 PER UL840
  - 2.7 OVERVOLTAGE CATEGORY: III PER UL840
  - 2.8 MATING CYCLE DURABILITY: >500 CYCLES
  - 2.9 RoHS COMPLIANT

3. ALL DIMENSIONS ARE FOR REFERENCE USE ONLY.

| Item | Part number   | Cable OD Range |
|------|---------------|----------------|
| 1    | MB5CKN0900-S1 | 7.5~11.0 mm    |
| 2    | MB5CKN0900-S2 | 11.0~14.5 mm   |
| 3    | MB5CKN0900-S3 | 14.5~17.0 mm   |

| QUANTITY  | SEE PART NUMBER<br>PART NUMBER | DESCRIPTION   | ITEM  |
|---|--------------------------------|---|---|
| <b>MATERIALS LIST</b>   |                                |   |   |
| UNLESS OTHERWISE SPECIFIED<br>1) All dimensions are in metric(mm).<br>2) Tolerances are as follows:<br>1 PL DEC ±0.30<br>2 PL DEC ±0.15<br>3 PL DEC ±0.08<br>Fractions ±1/64<br>Angles ±1°<br>3) Note reference = |                                | SIGNATURES<br>DRAWN: Drack<br>CHECKED:<br>ENGINEER:<br>APPROVAL:  | DATE<br>Oct.26,2015   |
| MATERIAL SPECIFICATIONS:  |                                | <div style="text-align: center;"> <h1>Amphenol</h1> <p>Sine Systems - www.amphenol-sine.com<br/>44724 Morley Drive<br/>Clinton Township, MI 48036</p> </div>  |   |
| PROCESS SPECIFICATIONS:   |                                |   |   |
| NEXT ASSY:  |                                | CUSTOMER:<br>THIS DRAWING IS SUPPLIED FOR INFORMATION ONLY. DESIGN FEATURES, SPECIFICATIONS AND PERFORMANCE DATA SHOWN HEREON ARE THE PROPERTY OF THE AMPHENOL CORPORATION. NO RIGHTS OF REPRODUCTION ARE IMPLIED. ALL DIMENSIONS ARE SUBJECT TO NORMAL MANUFACTURING VARIATIONS. | SIZE: <b>B</b> TYPE: <b>C-</b><br>DWG NO: <b>MB5CKN0900-Sx</b><br>REVISION: <b>A1</b> |
|   |                                | SCALE: NONE   | SHEET 1 OF 1  |

TITLE: M23B,PLUG,STR,9POS(4+5),CHECKMATE    DWG NO: MB5CKN0900-Sx    REV: A1    SH: 1    OF: 1