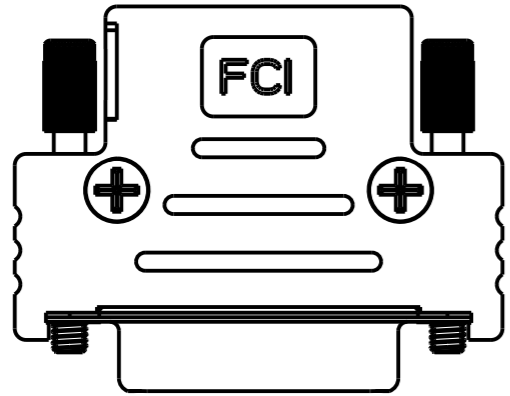
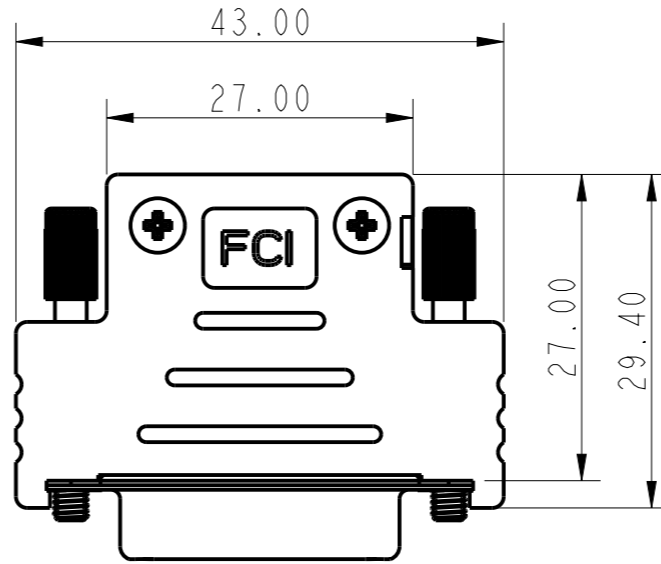
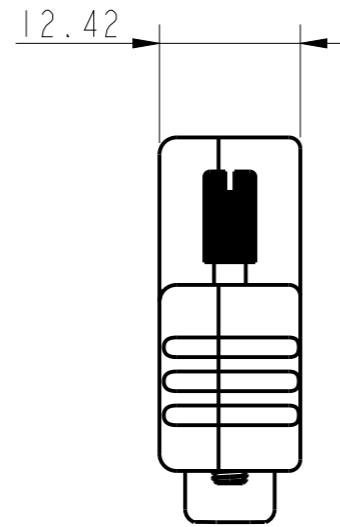
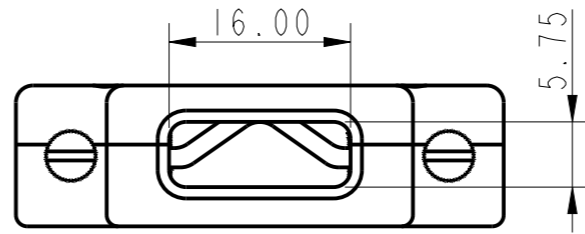


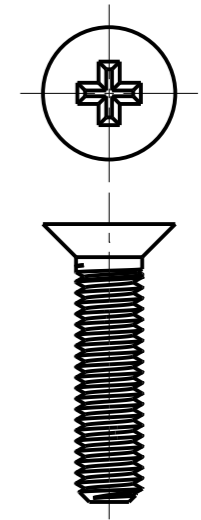
MATERIAL : Self Extinguishing UL94V0 THERMOPLASTICS  
 COLOUR : BLACK  
 TEMPERATURE RANGE : -55°C TO +105°C  
 LOCKING SCREWS : 4-40 UNC THREAD  
 ROHS COMPLIANT

PART NO : 10070163-01LF



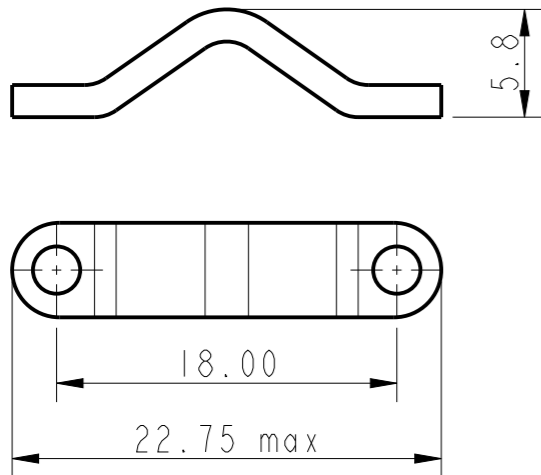
M2.5 -CLAMP SCREW FOR STRAIN RELIEF

MATERIAL: STEEL  
 FINISH : Zn PASSIVATION



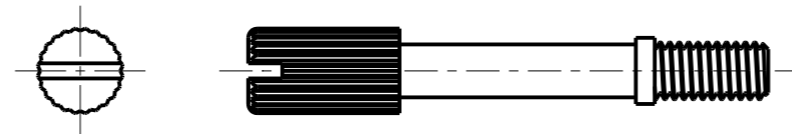
METAL CLAMP

MATERIAL : STEEL  
 FINISH : Zn PASSIVATION



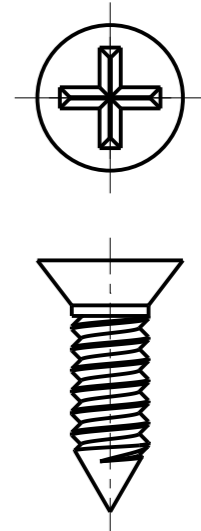
THUMB SCREW

MATERIAL : STEEL  
 FINISH : NICKEL PLATING



M3-CLAMP SCREW

MATERIAL : STEEL  
 FINISH : Zn PASSIVATION



Amphenol  
**FCi**

© 2020 Amphenol Corporation

spec ref				dr	Gregar Mathew	2021/10/11	projection			size	A3	scale	3:2
tolerance std	TOLERANCES UNLESS OTHERWISE SPECIFIED			eng	Gregar Mathew	2021/10/12		mm	ecn no		ELX-I-42540-1		
ISO 406 ISO 1101				chr	-	-			rel level		Released		
surface	linear	0.X	±0.3	<b>Amphenol          FCI</b> amphenol-icc.com	<b>ST. HOOD &amp; ACCESSORIES</b> MicroTCA_48V CONNECTOR HOOD			dwg no	10070163		rev	B	
ISO 1302		0.XX	±0.1		Product - Customer Drw		sheet 1 of 1						
	angular	0°	±1°		cat. no.		-		STATUS:Released		Printed: Oct 12, 2021		