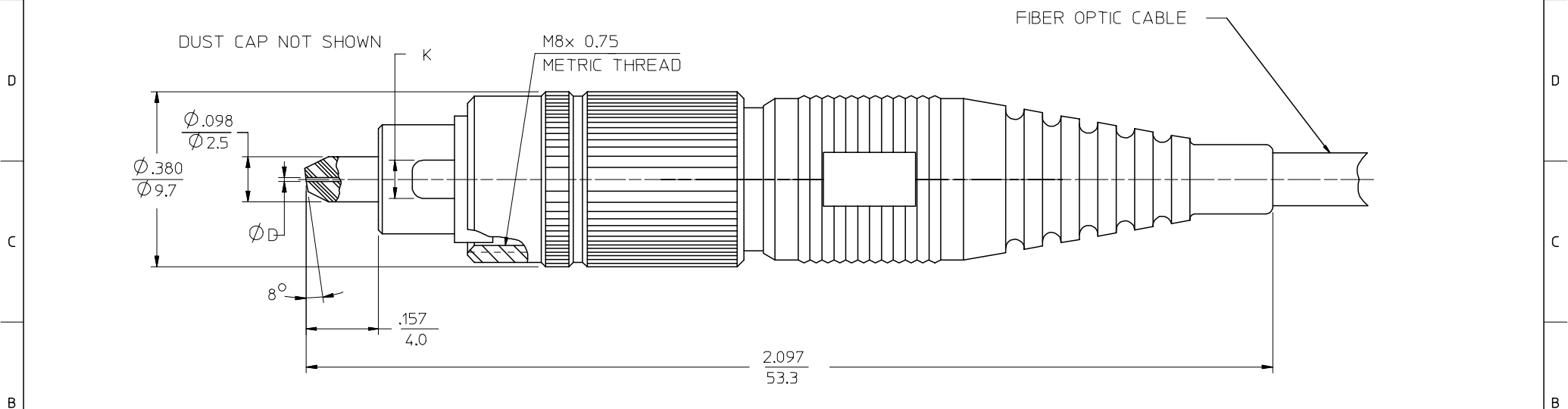


CONNECTOR P/N	ØD(mm)	K (KEY)	TYPE OF FIT	CABLE DIAMETER (mm)
86056-2000	.1255	$\frac{.083}{2.1}$	STANDARD	3
86056-2300		$\frac{.083}{2.1}$	STANDARD	2.4
86055-2000	.125	$\frac{.0785}{2.0}$	TIGHT	3
86056-4000		$\frac{.083}{2.1}$	STANDARD	3
86056-4300	.126	$\frac{.083}{2.1}$	STANDARD	2.4
86055-4000		$\frac{.0785}{2.0}$	TIGHT	3
86056-5000	.126	$\frac{.083}{2.1}$	STANDARD	3
86056-4300		$\frac{.083}{2.1}$	STANDARD	2.4
86055-5000		$\frac{.0785}{2.0}$	TIGHT	3
86055-5300		$\frac{.0785}{2.0}$	TIGHT	2.4



ENTER DESCRIPTION EC NO: MF2007-0643 DRWNGKPEVNER 2007/05/10 CHKD: 2007/05/10 APPR: IGUMIN 2007/05/15	QUALITY SYMBOLS ▽=0 ▽=0	GENERAL TOLERANCES (UNLESS SPECIFIED) <table border="1"> <thead> <tr> <th></th> <th>mm</th> <th>INCH</th> </tr> </thead> <tbody> <tr> <td>4 PLACES</td> <td>± ---</td> <td>± ---</td> </tr> <tr> <td>3 PLACES</td> <td>± ---</td> <td>± ---</td> </tr> <tr> <td>2 PLACES</td> <td>± ---</td> <td>± ---</td> </tr> <tr> <td>1 PLACE</td> <td>± ---</td> <td>± ---</td> </tr> </tbody> </table>		mm	INCH	4 PLACES	± ---	± ---	3 PLACES	± ---	± ---	2 PLACES	± ---	± ---	1 PLACE	± ---	± ---	DIMENSION STYLE IN/MM	SCALE 4:1	DESIGN UNITS INCH	THIRD ANGLE PROJECTION
		mm	INCH																		
	4 PLACES	± ---	± ---																		
	3 PLACES	± ---	± ---																		
2 PLACES	± ---	± ---																			
1 PLACE	± ---	± ---																			
DRAWN BY CHECKED BY APPROVED BY	DATE DATE DATE	TITLE FCII APC CONNECTOR ONE PIECE DESIGN	MOLEX INCORPORATED																		
MATERIAL NO. SEE TABLE	DOCUMENT NO. 8605X-XX00CD	SHEET NO. 1 OF 1	THIS DRAWING CONTAINS INFORMATION THAT IS PROPRIETARY TO MOLEX INCORPORATED AND SHOULD NOT BE USED WITHOUT WRITTEN PERMISSION																		
DRAFT WHERE APPLICABLE MUST REMAIN WITHIN DIMENSIONS																					