



Features

- 12V Input
- 14-A Output Current
- 5-Bit Programmable Output: 1.1V to 1.85V (25mV Steps)
- VRM 9.0 Compatible
- 82% Efficiency
- Standby On/Off Control
- Differential Remote Sense
- Over-Voltage Protection Drive
- Power Good Signal
- Short Circuit Protection
- Space Saving Solderable Case
- 4.7·10⁶ Hrs. MTBF

Description

The PT6722 is a fully integrated 14-A switching regulator housed in a space-saving solderable package. The PT6722 operates from 12V to provide a high-performance low-voltage output that is programmable over the range 1.1V to 1.85V. This output voltage range is specifically suited to high performance μ P and DSP applications that require core supply voltages below 1.3V. The voltage control inputs are also TTL compatible. Additional features include output short circuit protection, a "Power Good" output, and an over-voltage protection (OVP) drive.

Ordering Information

PT 6722□ = 1.1 to 1.85 Volts

PT Series Suffix (PT1234x)

Case/Pin Configuration	Order Suffix	Package Code
Vertical	N	(ELD)
Horizontal	A	(ELA)
SMD	C	(ELC)

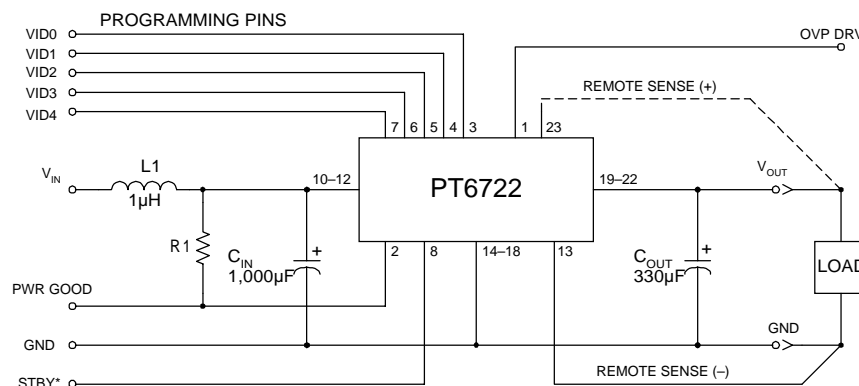
(Reference the applicable package code drawing for the dimensions and PC layout)

Pin-Out Information

Pin Function	Pin Function
1 OVP Drive	13 Rem Sense Gnd (2)
2 Pwr Good	14 GND
3 VID0	15 GND
4 VID1	16 GND
5 VID2	17 GND
6 VID3	18 GND
7 VID4	19 V _{out}
8 STBY*	20 V _{out}
9 Do not connect	21 V _{out}
10 V _{in}	22 V _{out}
11 V _{in}	23 Rem Sense V _{out}
12 V _{in}	

For STBY* pin: open = output enabled
ground = output disabled.

Standard Application



C_{in}/C_{out}: Required electrolytic capacitors –see footnotes.
L₁: Optional 1µH input choke –see footnotes
R₁: 10-kΩ pull-up for Pwr Good signal.
Pwr Good is high when the output is within specification.

Programming Information

VID3	VID2	VID1	VID0	VID4=1 Vout	VID4=0 Vout
1	1	1	1	0.000V	1.475V
1	1	1	0	1.100V	1.500V
1	1	0	1	1.125V	1.525V
1	1	0	0	1.150V	1.550V
1	0	1	1	1.175V	1.575V
1	0	1	0	1.200V	1.600V
1	0	0	1	1.225V	1.625V
1	0	0	0	1.250V	1.650V
0	1	1	1	1.275V	1.675V
0	1	1	0	1.300V	1.700V
0	1	0	1	1.325V	1.725V
0	1	0	0	1.350V	1.750V
0	0	1	1	1.375V	1.775V
0	0	1	0	1.400V	1.800V
0	0	0	1	1.425V	1.825V
0	0	0	0	1.450V	1.850V

Logic 0 = Pin 13 potential (remote sense gnd)

Logic 1 = Open circuit (no pull-up resistors)

VID4 may not be changed while the unit is operating.

PT6700 Product Family Comparison

	Input Voltage	Adjust Method	Program Range	OVP/ Pwr Good	+12V Bias Required
PT 6701	5V	5-Bit	1.3V– 3.5V	✓	
PT 6702	3.3V	4-Bit	1.3V– 2.05V	✓	
PT 6703	3.3V/5V	5-Bit	1.1V– 1.85V	✓	
# PT 6705	5V	Resistor	1.5V–3.3V		✓
# PT 6715	5V	Resistor	1.5V–3.3V		
PT 6721	12V	5-Bit	1.3V– 3.5V	✓	
PT 6722	12V	5-Bit	1.1V– 1.85V	✓	
# PT 6725	12V	Resistor	1.5V–5.0V		

–Indicates a series of products that have a nominal output voltage set-point and may be adjusted with an external resistor.

Specifications (Unless otherwise stated, $T_a = 25^\circ\text{C}$, $V_{in} = 12\text{V}$, $C_{out} = 330\mu\text{F}$, and $I_o = I_{o,max}$)

Characteristic	Symbol	Conditions	PT6722			Units
			Min	Typ	Max	
Output Current	I_o	$T_a = +60^\circ\text{C}$, 200LFM $T_a = +25^\circ\text{C}$, natural convection	0.1 (1) 0.1 (1)	—	14 14	A
Input Voltage Range	V_{in}	Over I_o Range	10.8	—	13.2	VDC
Set Point Voltage Tolerance	V_o tol		—	± 10	± 20 (2)	mV
Temperature Variation	Reg_{temp}	$-40^\circ > T_a > +85^\circ\text{C}$	—	± 0.5	—	% V_o
Line Regulation	Reg_{line}	Over V_{in} range	—	± 2.5	± 5	mV
Load Regulation	Reg_{load}	Over I_o range	—	± 2.5	± 10	mV
Total Output Voltage Variation	$\Delta V_{o,tot}$	Includes set-point, line, load, $-40^\circ > T_a > +85^\circ\text{C}$	—	± 25	± 36	mV
Efficiency	η	$I_o = 8\text{A}$	$V_o = 1.8\text{V}$ $V_o = 1.2\text{V}$	83 78	—	%
V_o Ripple (pk-pk)	V_r	20MHz bandwidth	—	20	—	mV _{pp}
Transient Response	t_{tr}	0.1A/ μs load step, 6A to 12A	—	50	—	μs
	ΔV_{tr}	V_o over/undershoot	—	± 70	—	mV
Short Circuit Current	I_{sc}		—	20	30	A
Switching Frequency	f_o	Over V_{in} range	300	350	400	kHz
Standby Control (pin 8)						
Input High Voltage	V_{IH}	Referenced to GND (pin 14)	4.0	—	Open (3)	V
Input Low Voltage	V_{IL}		-0.2	0.4	1.0	
Input Low Current	I_{IL}	Pin 8 to GND	—	10	—	μA
Standby Input Current	$I_{in,standby}$	pins 8 & 14 connected	—	5	10	mA
External Output Capacitance	C_{out}		330 (4)	—	15,000	μF
Operating Temperature Range	T_a	Over V_{in} range	-40	—	+85 (5)	$^\circ\text{C}$
Storage Temperature	T_s		-40	—	+125	$^\circ\text{C}$
Reliability	MTBF	Per Bellcore TR-332 50% stress, $T_a = 40^\circ\text{C}$, ground benign	11.7	—	—	10 ⁶ Hrs
Mechanical Shock	—	Per Mil-Std-883D, method 2002.3, 1mS, half-sine, mounted to a fixture	—	500	—	G's
Mechanical Vibration	—	Per Mil-Std-883D, method 2007.2, 20–2000Hz, soldered in a PC board	—	15 (6)	—	G's
Weight	—	—	—	26	—	grams
Flammability	—	Materials meet UL 94V-0	—	—	—	

Notes: (1) ISR-will operate down to no load with reduced specifications.

(2) If the remote sense ground is not used, pin 13 must be connected to pin 14 for optimal output voltage accuracy.

(3) The Standby control (pin 8) has an internal pull-up, and if left open-circuit the module will operate when input power is applied. A small low-leakage (<100nA) MOSFET must be used to control this input. The open-circuit voltage is less than 10V. See application notes for further information.

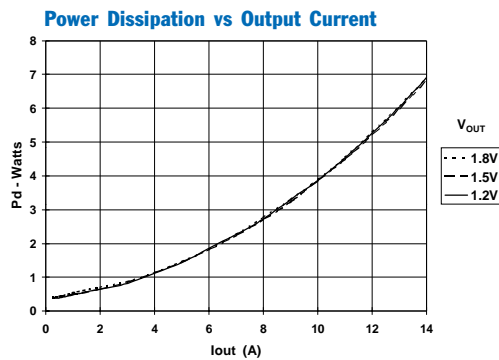
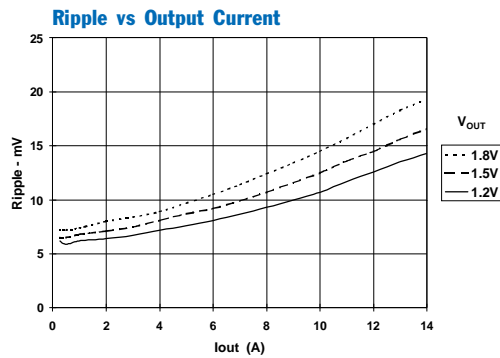
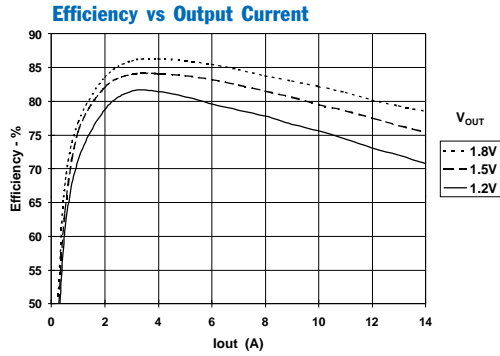
(4) For operation below 0°C , C_{in} and C_{out} must have stable characteristics. Use either low ESR tantalum or Oscon® capacitors.

(5) See Safe Operating Area curves.

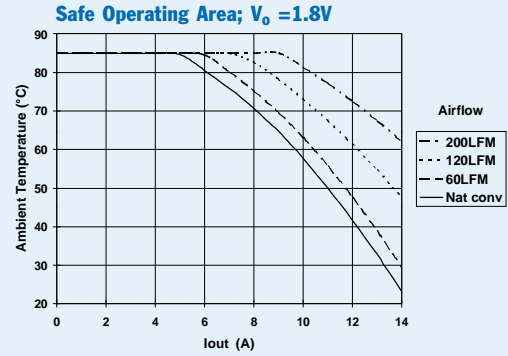
(6) The case pins on the through-hole package types (suffixes N & A) must be soldered. For more information see the applicable package outline drawing.

External Capacitors: The PT6722 requires a minimum output capacitance of 330 μF , and a minimum input capacitance of 1,000 μF for proper operation. The input capacitance must be rated for a minimum of 1.6Arms of ripple current. For transient or dynamic load applications, additional input and output capacitance may be required. The maximum allowable output capacitance is 15,000 μF . For more information refer to the application note regarding capacitor selection for this product.**Input Inductor:** An input filter inductor is optional for most applications. The inductor must be sized to handle 3ADC with a typical value of 1 μH .

PT6722 Performance; $V_{in} = 12V$ (See Note A)



PT6722 Thermal Derating; $V_{in} = 12V$ (See Note A)



Note A: Characteristic data has been developed from actual products tested at 25°C. This data is considered typical data for the Converter.
Note B: SOA curves represent the conditions at which internal components are at or below the manufacturer's maximum operating temperatures

Operating Features of the Programmable PT6700 “Excalibur™” Series ISRs

Power Good

Programmable versions of the PT6700 Series regulators incorporate a *PWR Good* output (pin 2). This output is open-drain and generates an active-high signal when the sensed output from the ISR is within a nominal $\pm 10\%$ of the programmed set point. When the regulated output is outside this range, pin 2 asserts a logic low (typically $< 0.1V$). A 10-k Ω pull-up resistor to a valid bus voltage is required. If the power good feature is not used, the pull-up resistor can be omitted. The maximum voltage that may be applied to the pull-up resistor is 15V.

Over-Voltage Protection (OVP)

The PT6700 programmable regulators also incorporate an OVP function. The *OVP DRV* (pin 1) normally has a logic low output (typically $< 0.1V$). When the ISR’s sensed output exceeds the programmed output setting by 15%, pin 1 produces a 60mA, +12V drive signal. This drive signal can trigger an SCR, which can be used to disable the input voltage (via a fuse), or alternatively interface to another external monitoring device. When the ISR output voltage returns to within 15% of its programmed setting, pin 1 reverts back to its low state. If the OVP function is not used, pin 1 may be left open circuit.

Stand-By Function

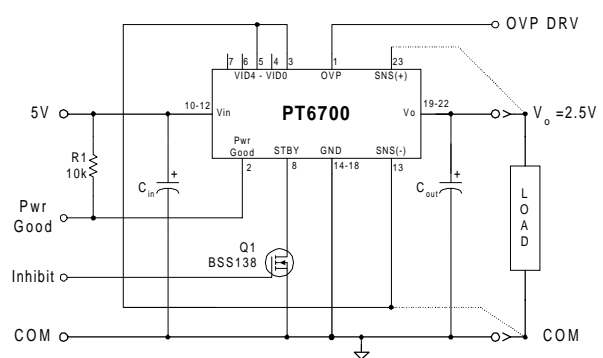
The PT6700 series ISRs incorporate a standby function. This feature may be used for power-up sequencing, or wherever there is a requirement for the output voltage to be controlled by external circuitry.

If the *STBY** input (pin 8) is left open-circuit the regulator operates normally, providing a regulated output when a valid supply voltage is applied to V_{in} (pins 10-12) with respect to GND (pins 14-18). Connecting pin 8 to ground places the regulator in standby mode 2, and reduces the input current to typically 20mA (30mA max). Applying a ground signal to pin 8 prior to power-up, will disable the output during the period that input power is applied. To ensure that the regulator output is properly enabled, pin 8 must be open circuit.

Table 1 Standby Control Requirements ²

Parameter	Min	Typ	Max
Enable	Open Cct. ¹		
Disable	-0.1V	0.4V	1.0V
I_{stby}		10 μ A	

Figure 1



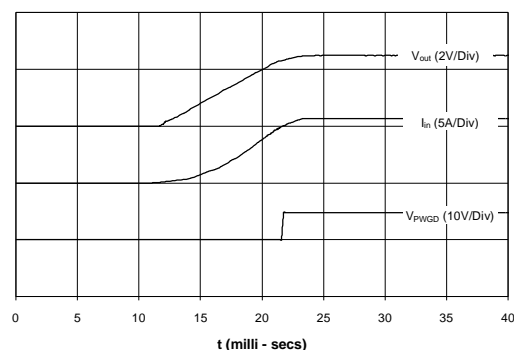
Notes:

1. The standby on a PT6700 series regulator must be controlled with an open-drain low-leakage ($< 100nA$) MOSFET (See fig. 1). Table 1 gives the threshold requirements. *Do Not* use a pull-up resistor. The control input has an open-circuit voltage of between 4Vdc and 5Vdc. To set the regulator output to zero, the control pin must be “pulled” to less than 1.0Vdc by sinking current to ground.
2. When placed in the standby mode, the regulator output may assert a low impedance to ground. If an external voltage is applied to the output, it will sink current and possibly over-stress the part.

Turn-On Time

Turning Q1 in Figure 1 off, removes the low-voltage signal at pin 8. After a 10-15ms delay the regulator output rises and reaches full output voltage within 30ms. Fig. 2 shows the typical waveforms of a PT6701 following the prompt turn-off of Q1 at time $t = 0$ secs. The output voltage was set to 2.5V, and the waveforms were measured with a 5V input source, and 10A resistive load.

Figure 2



Pin-Coded Output Voltage Programming on Non-Isolated “Excalibur™” Series ISRs

Programmable versions of the PT6700 and PT6720 series of Excalibur ISRs incorporate a pin-coded output voltage control. These regulators include up to five control pins, identified VID0–VID4 (pins 3–7) respectively. By selectively grounding VID0–VID4, the output voltage of these regulators can be programmed in incremental steps over a specified output voltage range. The program code and voltage range is designed to be compatible with the “Voltage ID” specification defined for popular microprocessors. Refer to Figure 1 for the connection schematic, and the applicable data sheet for the program code.

Notes:

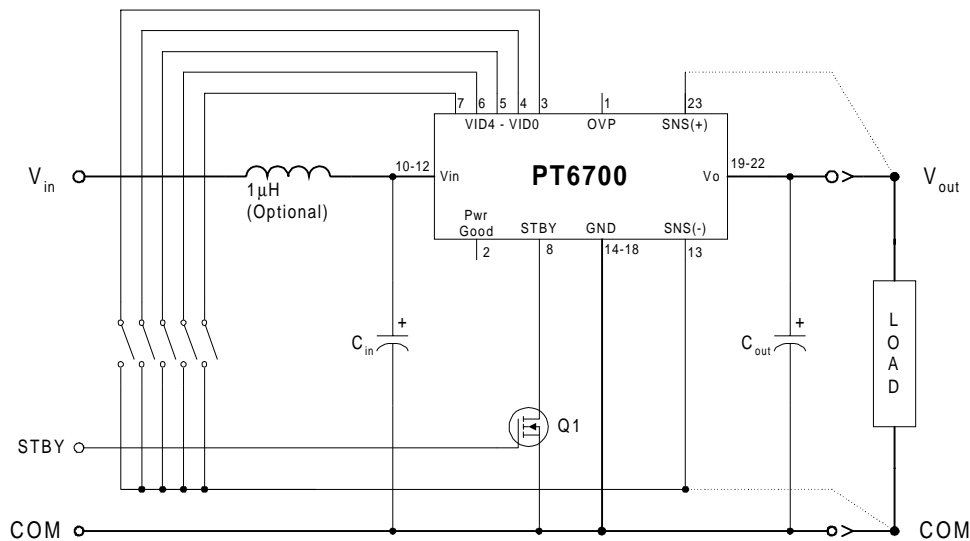
- The programming convention is as follows:-
 Logic 0: Connect to pin13 (Remote Sense Ground).
 Logic 1: Open circuit/open drain (See notes 2, & 4)
- Do not connect pull-up resistors to the voltage programming pins.
- To minimize output voltage error, always use pin 13 (Remote Sense Ground) as the logic “0” reference. While the regular ground (pins 14-18) can also be used for programming, doing so will degrade the load regulation of the product.
- If active devices are used to ground the voltage control pins, low-level open drain MOSFET devices should be used over

bipolar transistors. The inherent $V_{ce(sat)}$ in bipolar devices introduces errors in the device’s internal voltage control circuit. Discrete transistors such as the BSS138, 2N7002, IRLML2402, are examples of appropriate devices.

Active Voltage Programming:

Special precautions should be taken when making changes to the voltage control program code while the unit is powered. It is highly recommended that the ISR be either powered down or held in standby. Changes made to the program code while V_{out} is enabled induces high current transients through the device. This is the result of the electrolytic output capacitors being either charged or discharged to the new output voltage set-point. The transient current can be minimized by making only incremental changes to the binary code, i.e. one LSB at a time. A minimum of 100 μ s settling time between each program state is also recommended. Making non-incremental changes to VID3 and VID4 with the output enabled is discouraged. If they are changed, the transients induced can overstress the device and may also activate the OVP drive output. If the program code cannot be asserted prior to power-up, pull pin 8 (STBY) to GND during the period that the input voltage is applied. The release of pin 8 will then to allow the device to initiate a soft-start power-up to the program voltage.

Figure 1



Capacitor Recommendations for the PT6721, PT6722, and PT6725 Series of Regulators

Input Capacitors

The recommended input capacitance is determined by 1.6 ampere minimum ripple current rating and 1000µF minimum capacitance. Tantalum capacitors listed below cannot be used on the input bus since they are not rated for 12V operation. Ripple current and Equivalent Series Resistance (ESR) values are the major considerations along with temperature when selecting the proper capacitor.

Output Capacitors

The minimum required output capacitance is 330µF with a maximum ESR less than or equal to 50mW. Failure to observe this requirement may lead to regulator instability or oscillation. Electrolytic capacitors have poor ripple performance at frequencies greater than 400kHz, but excellent low frequency transient response. Above the ripple frequency ceramic decoupling capacitors are necessary to improve the transient response and reduce any microprocessor high frequency noise components apparent during higher current excursions. Preferred low ESR type capacitor part numbers are identified in the Table 1 below.

Tantalum Characteristics

Tantalum capacitors may be used on the output bus but only the AVX TPS series, Sprague 593D/594/595 series, or Kemet T495/T510 series. These capacitors are recommended over many other tantalum types due to their high surge current, excellent power dissipation and ripple current ratings. As a caution, the TAJ Series by AVX is not recommended. This series has considerably higher ESR, reduced power dissipation, and lower ripple current capability. The TAJ series is less reliable compared to the TPS series when determining power dissipation capability.

Capacitor Table

Table 1 identifies the characteristics of capacitors from a number of vendors with acceptable ESR and ripple current (rms) ratings. The suggested minimum quantities per regulator for both the input and output buses are identified.

This is not an extensive capacitor list. Capacitors from other vendors are available with comparable specifications. Those listed are for guidance. The RMS ripple current rating and ESR (Equivalent Series Resistance at 100kHz) are the critical parameters necessary to insure both optimum regulator performance and long capacitor life.

Table 1 Capacitors Characteristic Data

Capacitor Vendor/ Series	Capacitor Characteristics					Quantity		Vendor Part Number
	Working Voltage	Value(µF)	(ESR) Equivalent Series Resistance	105°C Maximum Ripple Current(Irms)	Physical Size(mm)	Input Bus	Output Bus	
Panasonic FC Series/ FA Series	35V	680	0.043Ω	1655mA	12.5x20	2	1	EEUFC1V681
	25V	1000	0.038Ω	1655mA	12.5x20	1	2	EEUFC1E102
	25V	1000	0.038Ω	1690mA	16x15	1	1	EEUFC1E102S
United Chemi-con LFX Series	35V	680	0.034Ω	1690mA	12.5x25	2	1	LXV35VB680M12X25LL
	35V	1000	0.038Ω	1630mA	16x20	1	1	LXV35VB102M16X20LL
	16V	470	0.084Ω±2 =0.042Ω	825mA (x2)	10x16	N/R(1)	2	LXV16VB471M10X16LL
Nichicon PL Series/ PM Series	35V	680	0.036Ω	1660mA	12.5x25	2	1	UPL1V681MHH
	25V	1200	0.039Ω	1600mA	18x15	1	1	UPL1E122MHH6
	35V	1000	0.034Ω	1770mA	16x20	1	1	UPM1V102MHH6
Panasonic FC Series Surface Mtg	35V	1000	0.038Ω	2000mA	18x16.5	1	1	EEVFC1V102N
	25V	1000	0.038Ω	2000mA	18x16.5	1	1	EEVFC1E102N
	35V	470	0.043Ω	1690mA	16x16.5	2	1	EEVFC1V471N
Oscon-SS/SV Series	10V	330	0.025Ω	3500mA	10x10.5	N/R(1)	1	10SS330M (If V _o <5V)
	10V	330	0.020Ω	3800mA	10.3x10.3	N/R(1)	1	10SV330 (If V _o <5V) Surface Mount (SV)
AVX Tantalum TPS Series	10V	330	0.1Ω±2 =0.05Ω	>2500mA	7.3L x 5.7W x 4.1H	N/R(1)	2	TPSE337M010R0100
	10V	330	0.06Ω±2 =0.03Ω	>3000mA	7.3L x 5.7W x 4.1H	N/R(1)	2	TPSV337M010R0060 Surface Mount
Kemet Tantalum T510/T495 Series	10V	330	0.033Ω	1400mA	4.3Wx7.3L x4.0H	N/R(1)	1	510X337M010AS
	10V	220	0.07Ω±2 =0.035Ω	>2000mA	4.3Wx7.3L x4.0H	N/R(1)	2	T495X227M0100AS Surface Mount
Sprague Tantalum 594D Series	10V	330	0.045Ω	2360mA	7.2L x 6W x 4.1H	N/R(1)	1	594D337X0010R2T Surface Mount

Note: (N/R) 10V tantalums are not recommend for the input bus.

IMPORTANT NOTICE

Texas Instruments Incorporated and its subsidiaries (TI) reserve the right to make corrections, modifications, enhancements, improvements, and other changes to its products and services at any time and to discontinue any product or service without notice. Customers should obtain the latest relevant information before placing orders and should verify that such information is current and complete. All products are sold subject to TI's terms and conditions of sale supplied at the time of order acknowledgment.

TI warrants performance of its hardware products to the specifications applicable at the time of sale in accordance with TI's standard warranty. Testing and other quality control techniques are used to the extent TI deems necessary to support this warranty. Except where mandated by government requirements, testing of all parameters of each product is not necessarily performed.

TI assumes no liability for applications assistance or customer product design. Customers are responsible for their products and applications using TI components. To minimize the risks associated with customer products and applications, customers should provide adequate design and operating safeguards.

TI does not warrant or represent that any license, either express or implied, is granted under any TI patent right, copyright, mask work right, or other TI intellectual property right relating to any combination, machine, or process in which TI products or services are used. Information published by TI regarding third-party products or services does not constitute a license from TI to use such products or services or a warranty or endorsement thereof. Use of such information may require a license from a third party under the patents or other intellectual property of the third party, or a license from TI under the patents or other intellectual property of TI.

Reproduction of information in TI data books or data sheets is permissible only if reproduction is without alteration and is accompanied by all associated warranties, conditions, limitations, and notices. Reproduction of this information with alteration is an unfair and deceptive business practice. TI is not responsible or liable for such altered documentation.

Resale of TI products or services with statements different from or beyond the parameters stated by TI for that product or service voids all express and any implied warranties for the associated TI product or service and is an unfair and deceptive business practice. TI is not responsible or liable for any such statements.

Mailing Address:

Texas Instruments
Post Office Box 655303
Dallas, Texas 75265