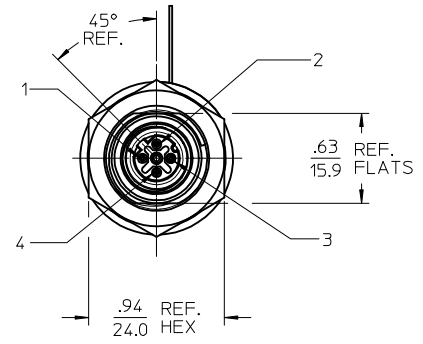
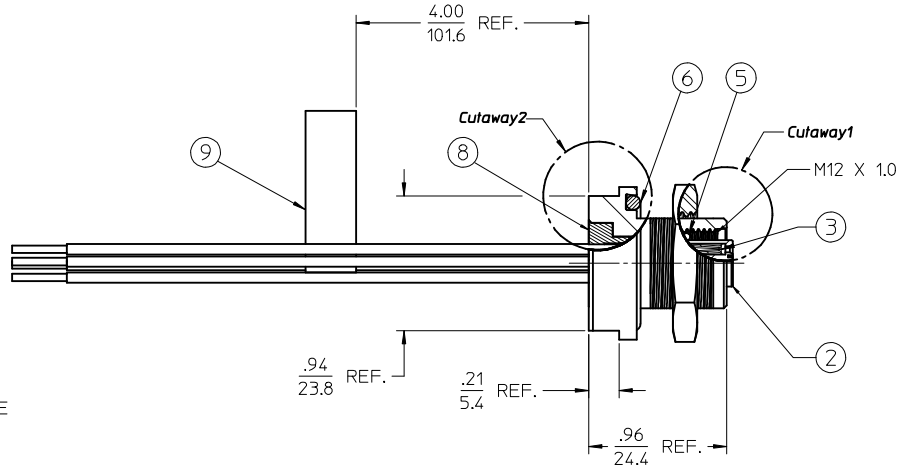
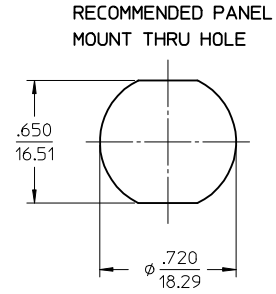
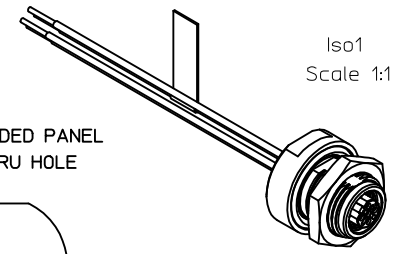
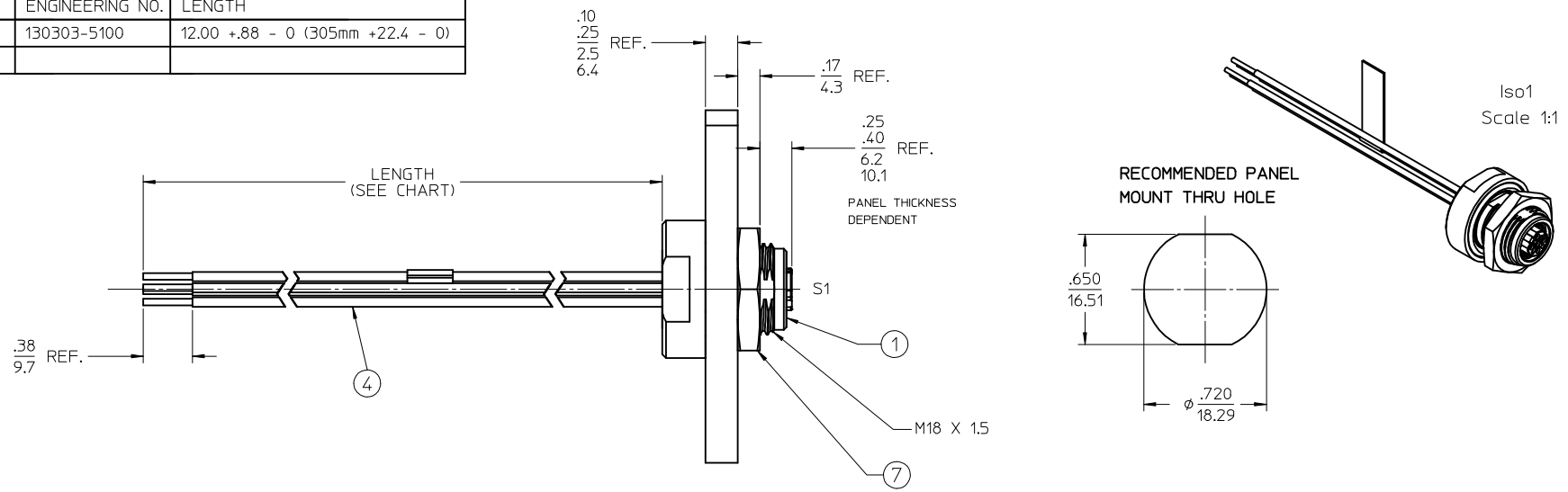


MATERIAL NO.	ENGINEERING NO.	LENGTH
1303035100	130303-5100	12.00 +.88 - 0 (305mm +22.4 - 0)



S1	Color
1	YELLOW
2	WHITE
3	ORANGE
4	BLUE

WIRE DIAGRAM

- NOTES:
1. MATERIALS: SEE TABLE
 2. FINISHES: SEE TABLE
 3. ELECTRICAL RATINGS:
VOLTAGE 125V
CURRENT: 15 AMPS
 4. PANEL NUT TORQUE: 10 FT.LBS.
 5. MATES WITH: MALE, M12,D-CODE
 6. ASSEMBLY IS TO BE RoHS COMPLIANT

ITEM	QTY.	DESCRIPTION	MATERIAL	FINISH
9	1	FLAG LABEL	VINYL	BLACK/YELLOW
8	1	POTTING MATERIAL	POLYUERETANE	BLUE
7	1	PANEL NUT, M18 x 1.5	STAINLESS STEEL	PASSIVATED
6	1	O-RING, PANEL SEAL	VITON	BROWN
5	1	O-RING, MATING SEAL	VITON	RED
4	4	WIRE, 22 AWG, SAE J1128	TLX	SEE WIRE DIAGRAM
3	4	CONTACT SOCKET, 22 AWG	Cu ALLOY	GOLD PLATED
2	1	INSULATOR, 4/C, D-CODE	NYLON	BLACK
1	1	RECEPTACLE SHELL	STAINLESS STEEL	PASSIVATED

REVISED NOTES
 EC NO: IPG2016-0711
 DRAWING: GUSTAFSON 2015/11/10
 CHKD: VOU 2015/12/22
 APPR: BWOODMAN 2015/12/02

QUALITY SYMBOLS
 ▽=0
 ▽=0

GENERAL TOLERANCES (UNLESS SPECIFIED)

	mm	INCH
4 PLACES	± .005	± .0005
3 PLACES	± .005	± .0005
2 PLACES	± 0.13	± .010
1 PLACE	± 0.3	± .010

ANGULAR ± 2°

DRAFT WHERE APPLICABLE
 MUST REMAIN
 WITHIN DIMENSIONS

DIMENSION STYLE
 IN/MM

DRAWN BY: RSTONE DATE: 2010/05/11
 CHECKED BY: K. JOZWIK DATE: 2010/05/17
 APPROVED BY: JFMURPHY DATE: 2010/05/20

MATERIAL NO. SEE CHART
 SIZE C

SCALE 1.5:1
 DESIGN UNITS INCH
 THIRD ANGLE PROJECTION

TITLE
 MIC RECEPTACLE ASSEMBLY
 HD, FEM, M12, D-CODE
 M18 MTG, WIRE LEADS

MOLEX INCORPORATED
 DOCUMENT NO. SD-130303-008
 SHEET NO. 1 OF 1

THIS DRAWING CONTAINS INFORMATION THAT IS PROPRIETARY TO MOLEX INCORPORATED AND SHOULD NOT BE USED WITHOUT WRITTEN PERMISSION