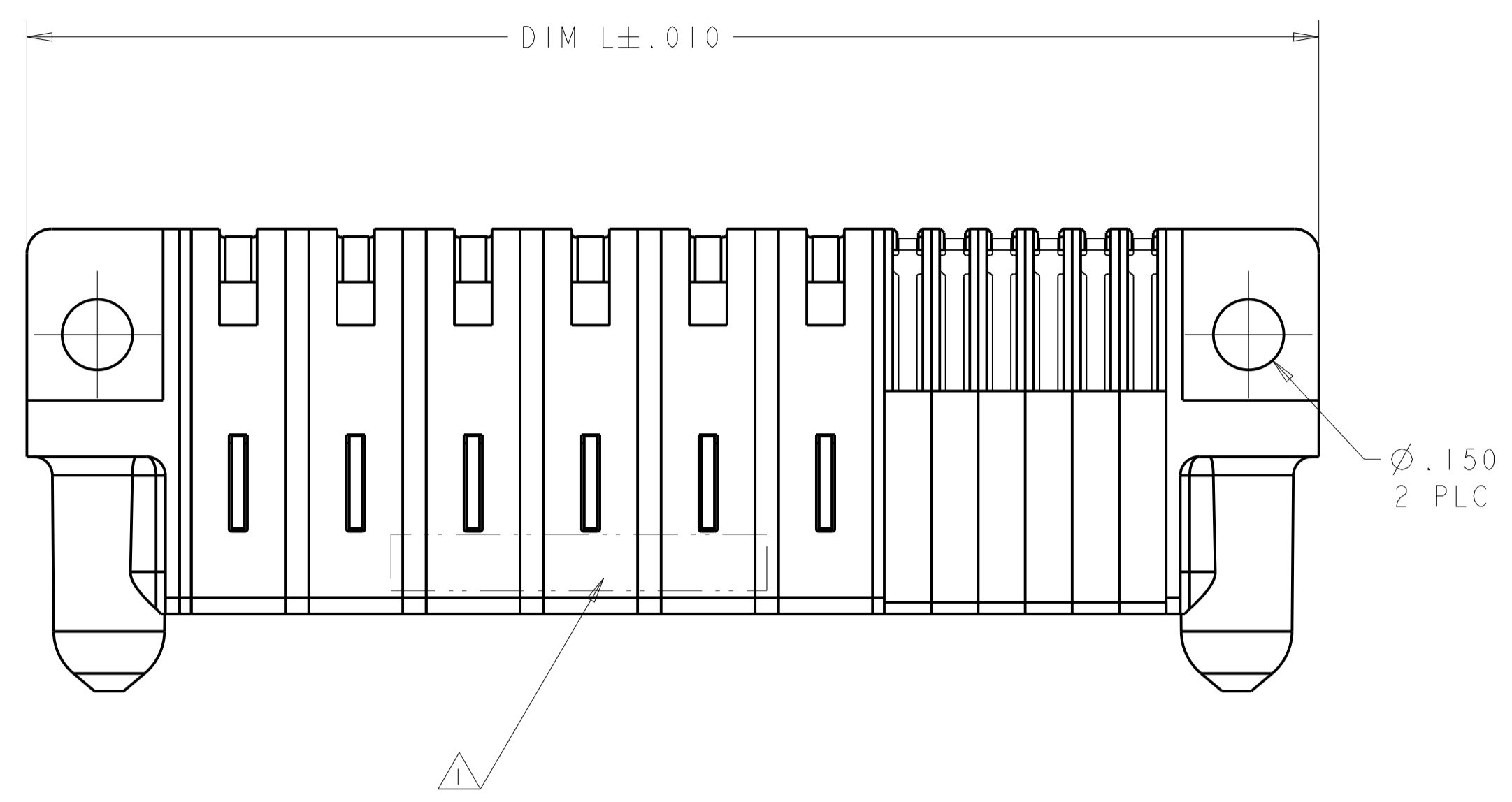
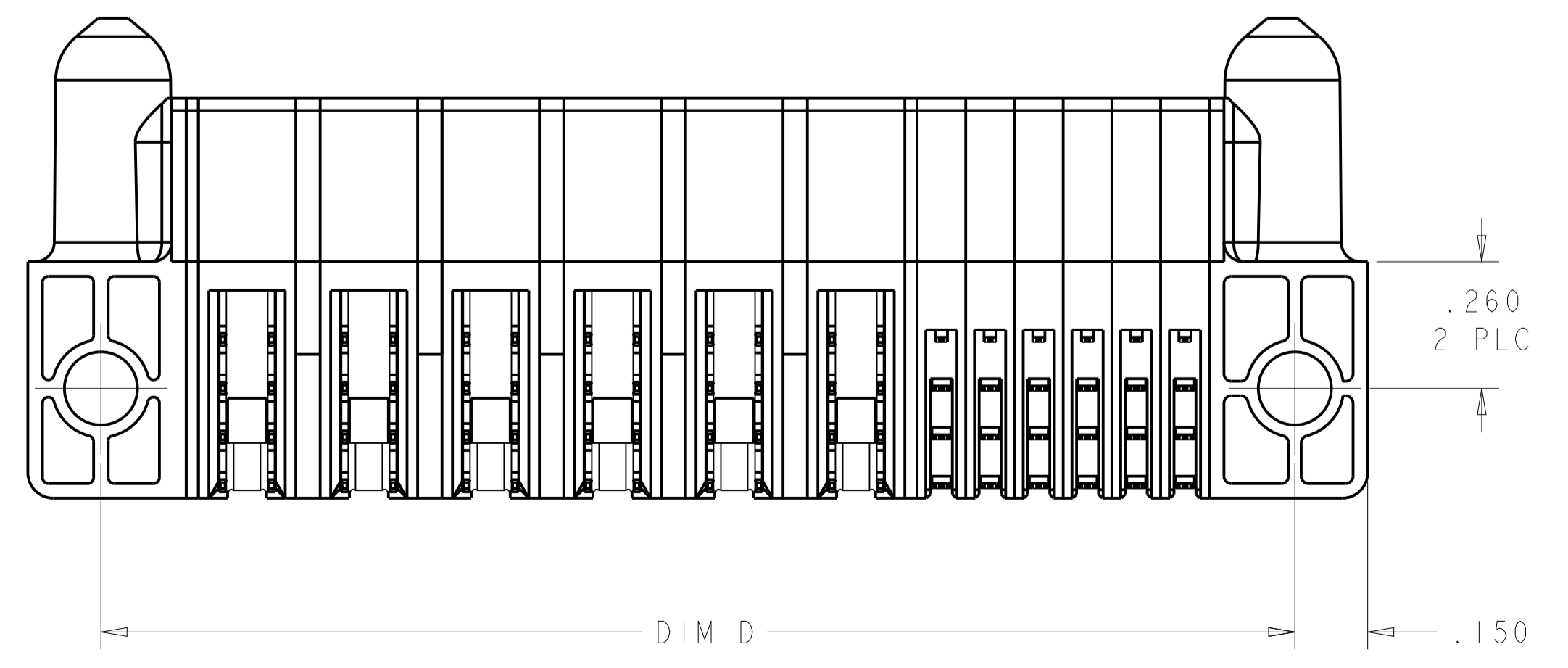
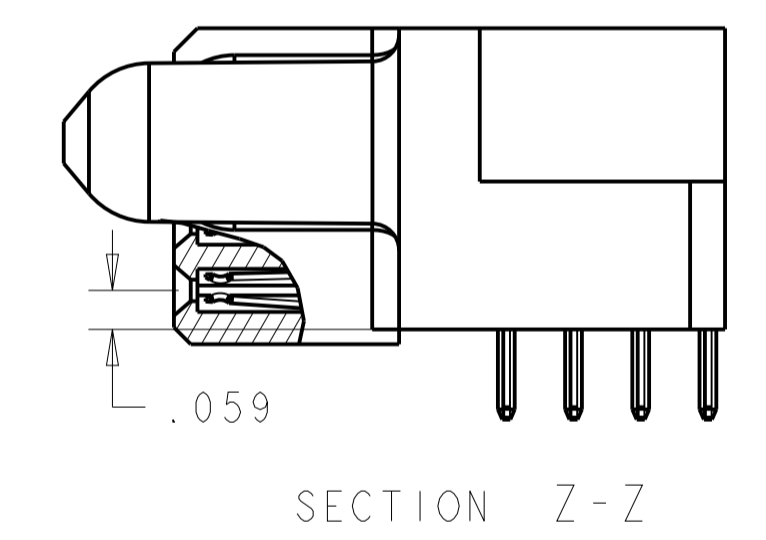
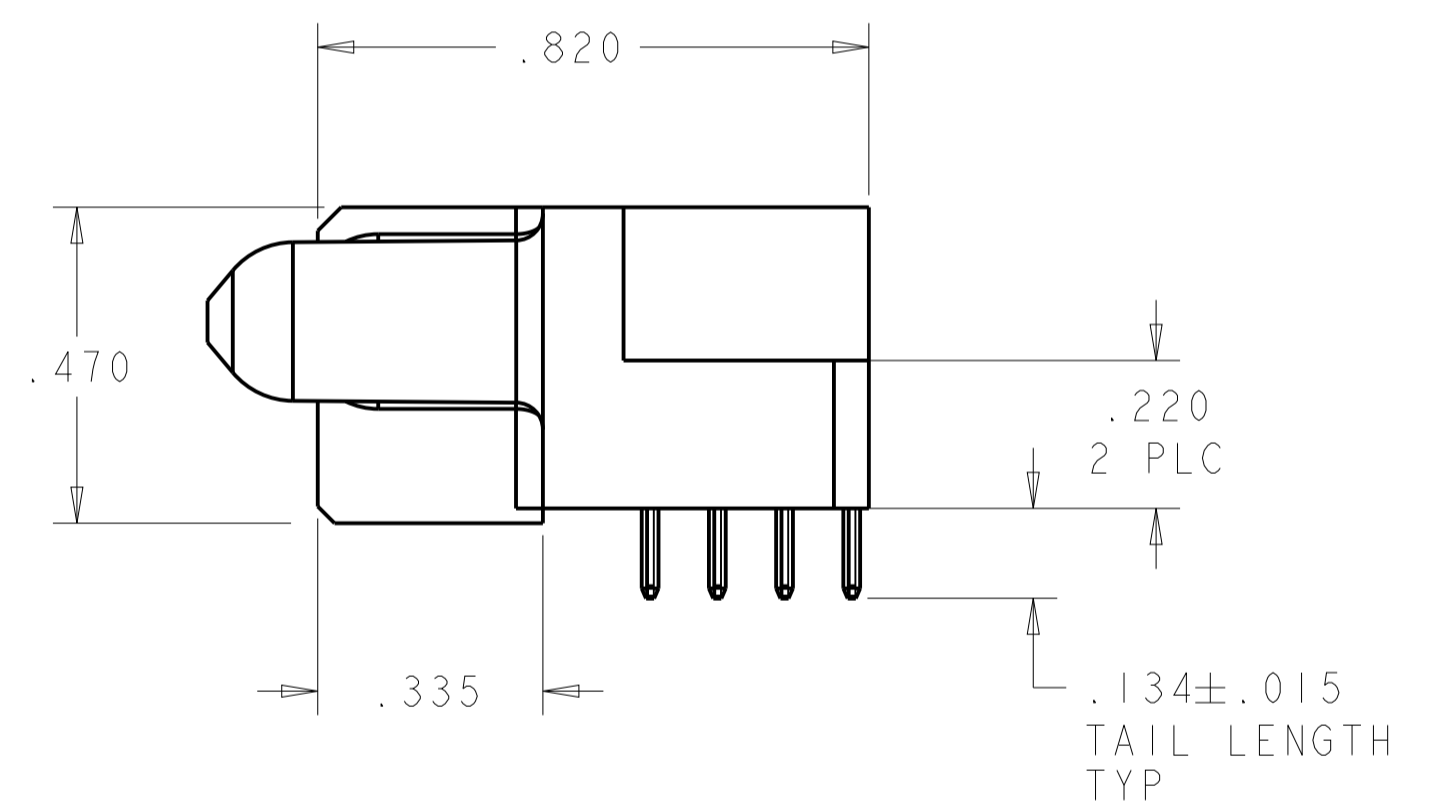
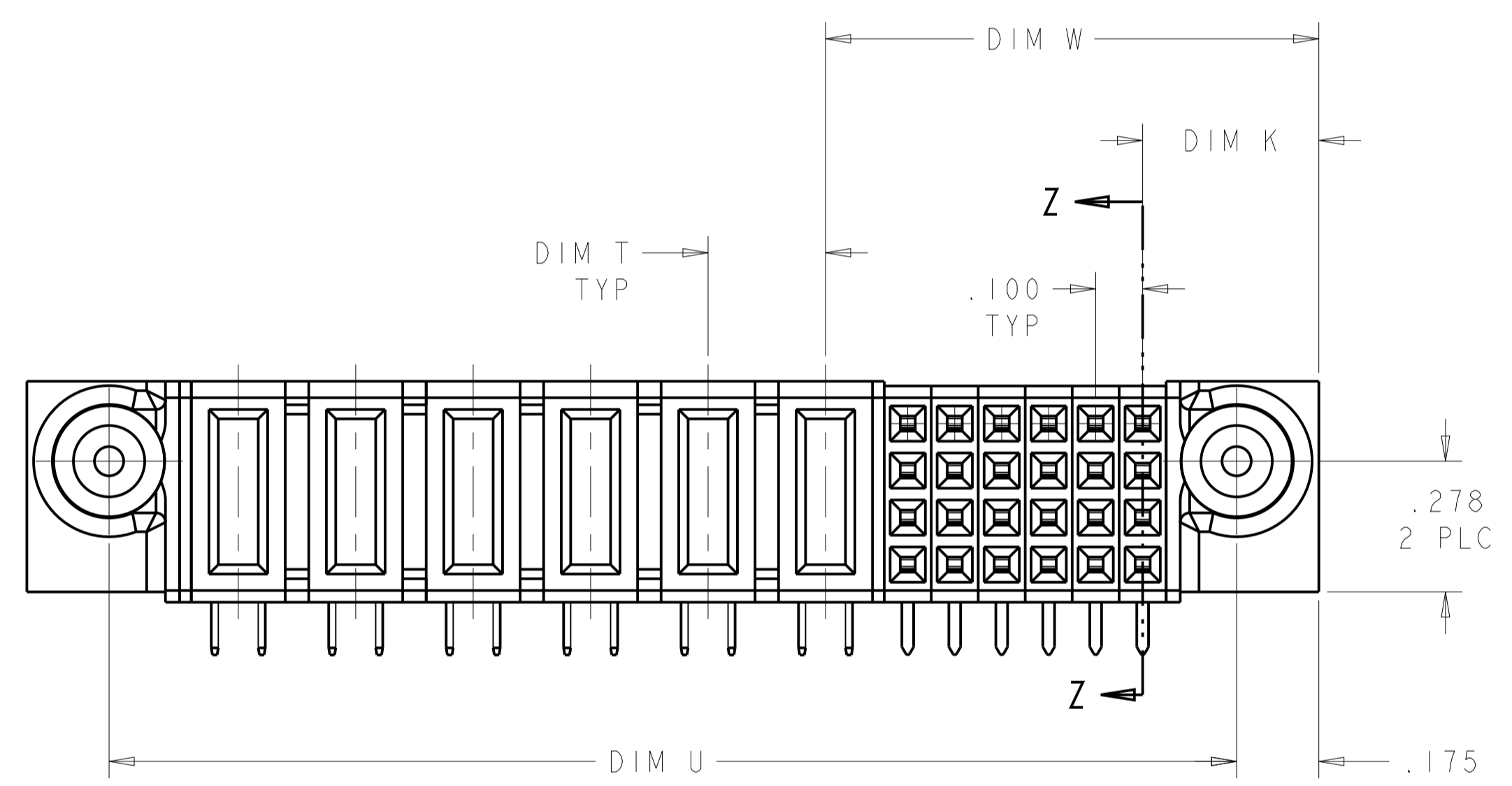


LOC	DIST	REVISIONS					
		P	LTN	DESCRIPTION	DATE	DWN	APVD
ES	00	A7		REVISE -6	17SEP2014	AL	SZ



- 1 "AMP", PART NUMBER AND DATE CODE TO BE MARKED IN AREA SHOWN.
- 2 MATERIAL: HOUSING - GLASS FILLED HIGH TEMP THERMO PLASTIC, UL94 V-0.
SIGNAL CONTACT - HIGH CONDUCTIVITY COPPER ALLOY
POWER CONTACT - HIGH CONDUCTIVITY COPPER ALLOY
- 3 CONTACT PLATING: NOBLE METAL PLATING ON CONTACT FUNCTIONAL AREA OF POWER AND SIGNAL CONTACTS
- 4 MECHANICAL CONNECTOR KEEP OUT ZONE.
- 5 DATUM AND BASIC DIMENSIONS ESTABLISHED BY CUSTOMER.
- 6 PCB - ALL HOLE DIAMETERS ARE FINISHED HOLE SIZES
- 7 PCB - .0453±.0010 DRILLED HOLES PLATED WITH .0003 MIN Sn OVER .001 TO .003 Cu PLATING TO ACHIEVE A .040 DIAMETER HOLE



DIM D	DIM U	DIM T	DIM W	DIM K	DIM L	DESCRIPTION	PART NUMBER
1.750	1.700	-	-	.375	2.050	56S	6450361-6
1.650	1.600	.250	0.750	.375	1.950	12S + 4P	6450361-5
6.050	6.000	.250	1.650	.375	6.350	48S + 18P	6450361-4
1.350	1.300	.250	.950	.375	1.650	20S + 2P	6450361-3
2.450	2.400	.250	1.050	.375	2.750	24S + 6P	6450361-1

THIS DRAWING IS A CONTROLLED DOCUMENT. DWN C.ZHOU 26FEB2009
 CHK S.ZHAO 26FEB2009
 APVD S.ZHAO

TE TE Connectivity

NAME: RIGHT ANGLE RECEPTACLE ASSEMBLY WITH GUIDES, SOLDER TYPE MULTI-BEAM XL

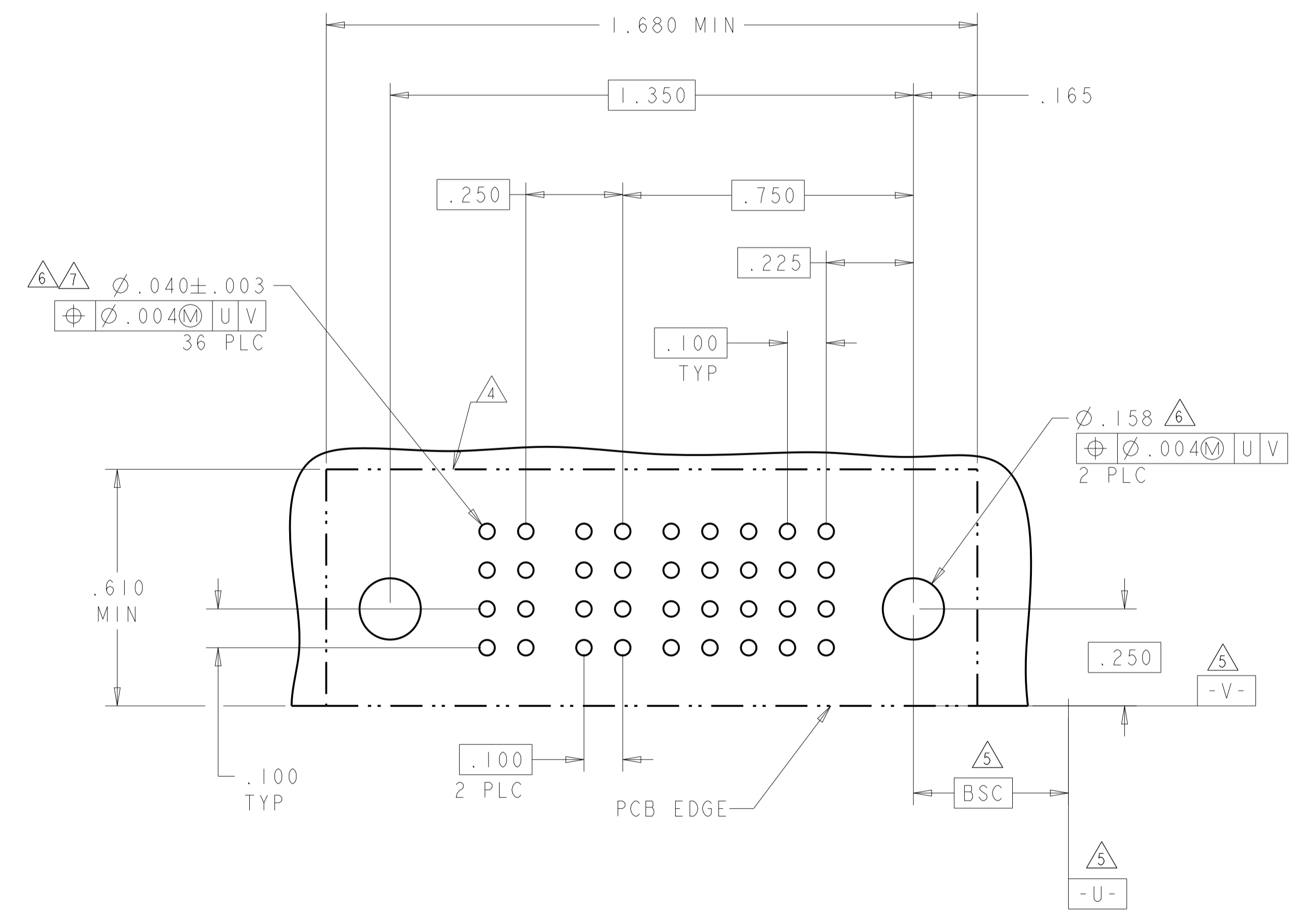
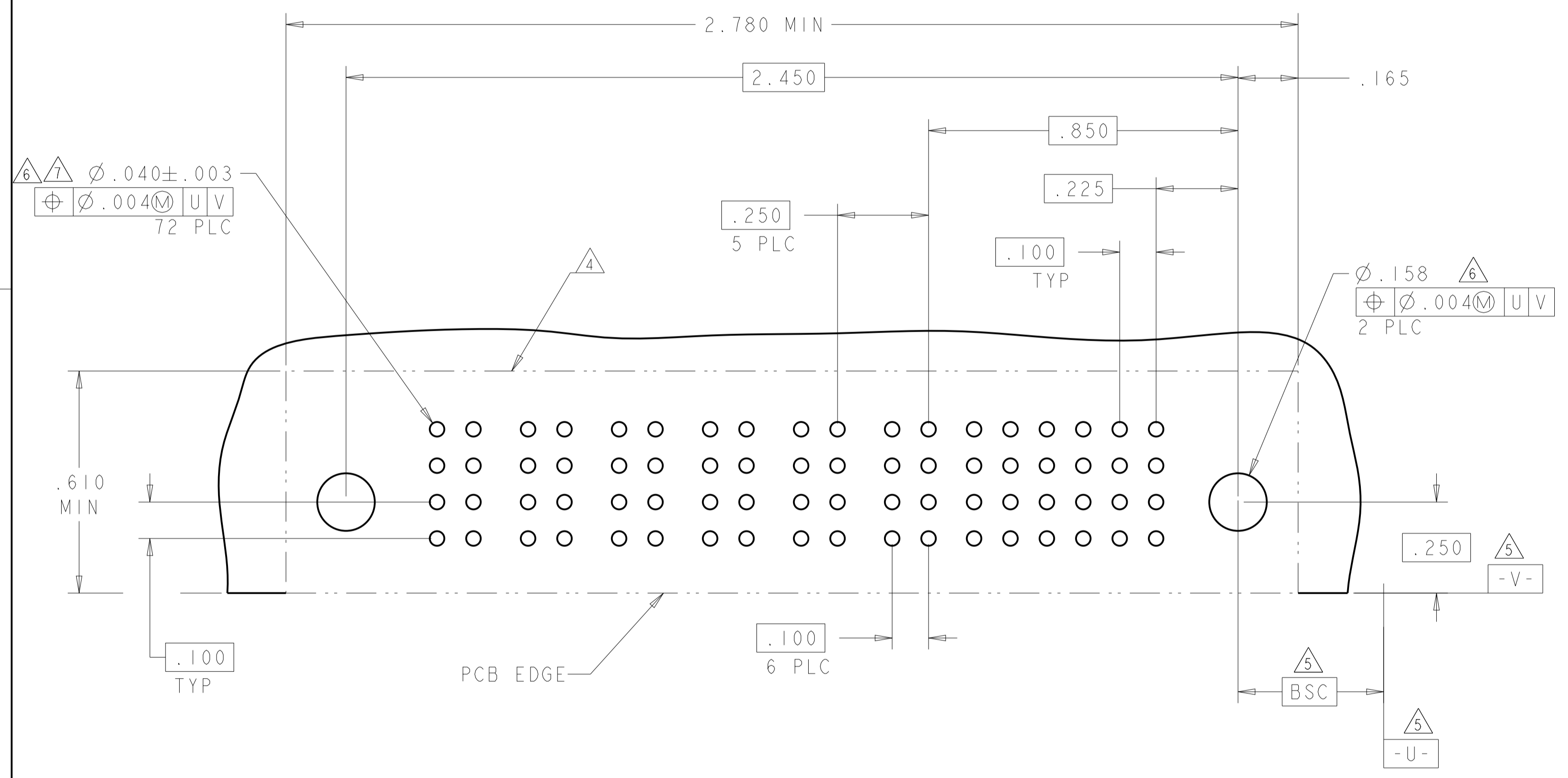
PRODUCT SPEC: 108-1973
 APPLICATION SPEC: 114-13038
 SIZE: 114-13038
 WEIGHT: -
 MATERIAL: 2
 FINISH: 3

Customer Drawing SCALE 4:1 SHEET 1 OF 4 REV A7

LOC	DIST	REVISIONS			
ES	00	REV	DATE	BY	APPV
		1			
		2			
		3			
		4			
		5			
		6			
		7			
		8			

PART NUMBER	ROWS	POWER						SIGNAL					
		P6	P5	P4	P3	P2	P1	6	5	4	3	2	1
6450361-1	D C B A	RM	RM	RM	RM	RM	RM	H	H	H	H	H	H
								G	G	G	G	G	G
								F	F	F	F	F	F
								E	E	E	E	E	E
24S + 6P													

PART NUMBER	ROWS	POWER		SIGNAL				
		P2	P1	5	4	3	2	1
6450361-3	D C B A	RM	RM	H	H	H	H	H
				G	G	G	G	G
				F	F	F	F	F
				E	E	E	E	E
20S + 2P								



CODE	DESCRIPTION	ROW
H	SIGNAL CONTACT	D
G	SIGNAL CONTACT	C
F	SIGNAL CONTACT	B
E	SIGNAL CONTACT	A
RM	POWER CONTACT, STD	-
CONTACT		

THIS DRAWING IS A CONTROLLED DOCUMENT.

DIMENSIONS:	TOLERANCES UNLESS OTHERWISE SPECIFIED:	OWN	26FEB2009
INCHES	0 PLC ± .01	CHK	C. ZHOU
	2 PLC ± .01	APPV	S. ZHAO
	3 PLC ± .005	NAME	
	4 PLC ± .002	PRODUCT SPEC	
	ANGLES ± .020	APPLICATION SPEC	
MATERIAL	FINISH	SIZE	114-13038
		WEIGHT	
		Customer Drawing	

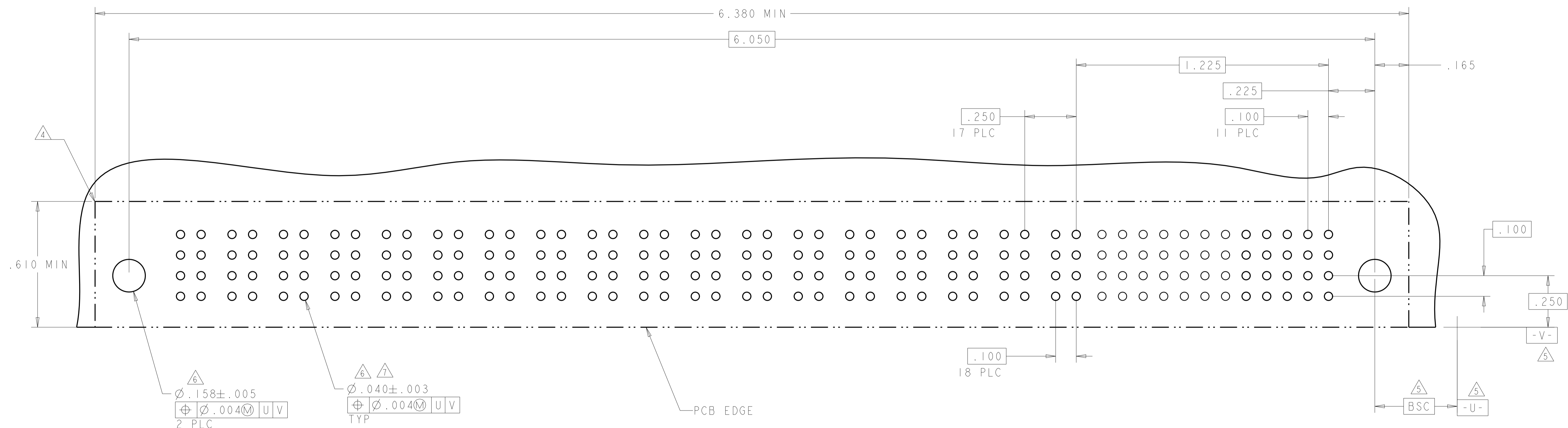
TE Connectivity

RIGHT ANGLE RECEPTACLE ASSEMBLY WITH GUIDES, SOLDER TYPE MULTI-BEAM XL

SCALE 4:1 SHEET 2 OF 4 REV A7

LOC		DIST		REVISIONS			
ES	00	REV	DATE	BY	CHKD	APVD	DESCRIPTION
-	-	-	-	-	-	-	SEE SHEET 1
-	-	-	-	-	-	-	-
-	-	-	-	-	-	-	-
-	-	-	-	-	-	-	-

PART NUMBER	ROWS	POWER																		SIGNAL													
		P18	P17	P16	P15	P14	P13	P12	P11	P10	P9	P8	P7	P6	P5	P4	P3	P2	P1	12	11	10	9	8	7	6	5	4	3	2	1		
6450361-4	D C B A	RM	RM	RM	RM	RM	RM	RM	RM	RM	RM	RM	RM	RM	RM	RM	RM	RM	RM	RM	H	H	H	H	H	H	H	H	H	H	H	H	
		RM	RM	RM	RM	RM	RM	RM	RM	RM	RM	RM	RM	RM	RM	RM	RM	RM	RM	RM	G	G	G	G	G	G	G	G	G	G	G	G	
		RM	RM	RM	RM	RM	RM	RM	RM	RM	RM	RM	RM	RM	RM	RM	RM	RM	RM	RM	RM	F	F	F	F	F	F	F	F	F	F	F	F
		RM	RM	RM	RM	RM	RM	RM	RM	RM	RM	RM	RM	RM	RM	RM	RM	RM	RM	RM	RM	E	E	E	E	E	E	E	E	E	E	E	E
48S + 18P																																	



THIS DRAWING IS A CONTROLLED DOCUMENT.

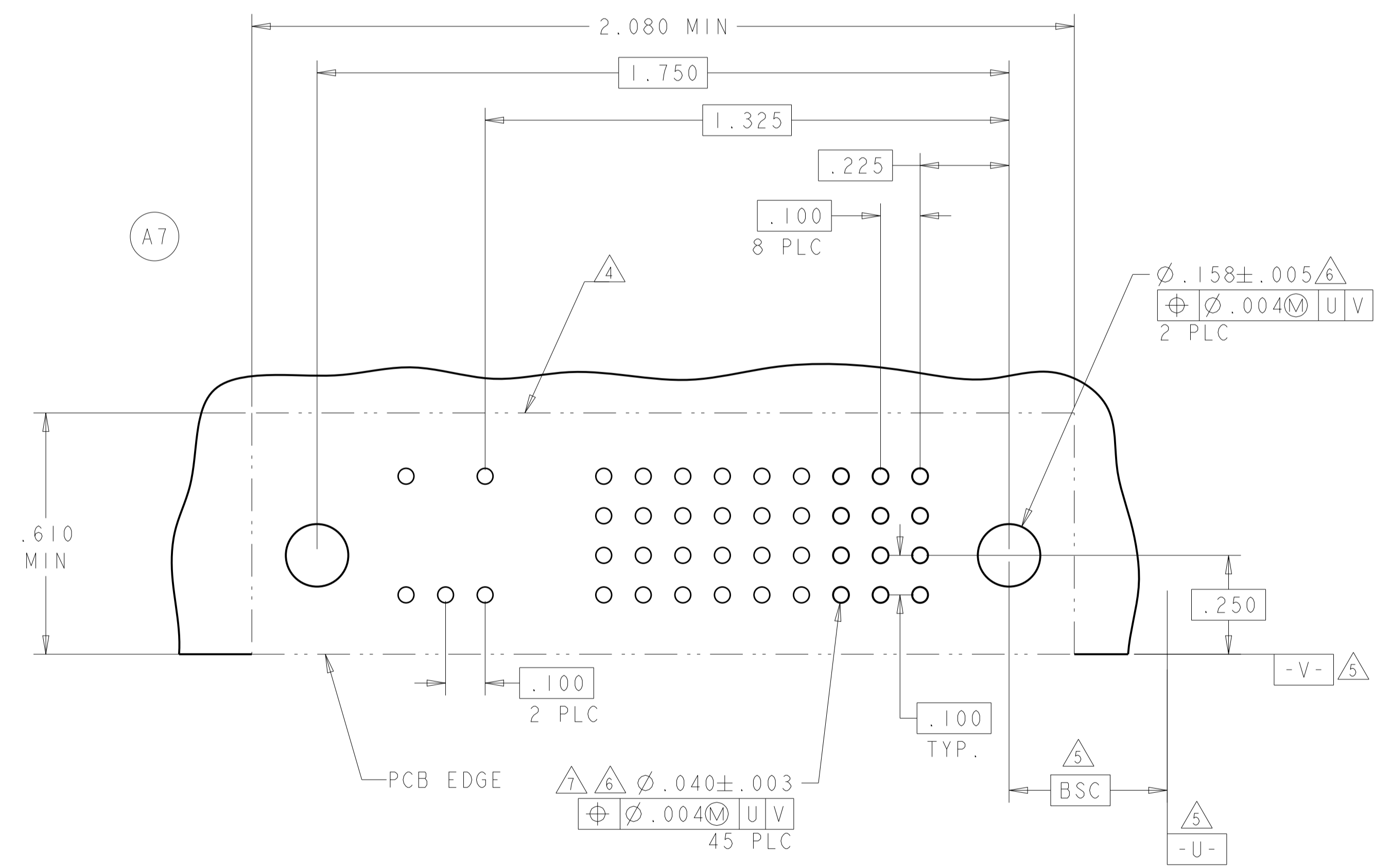
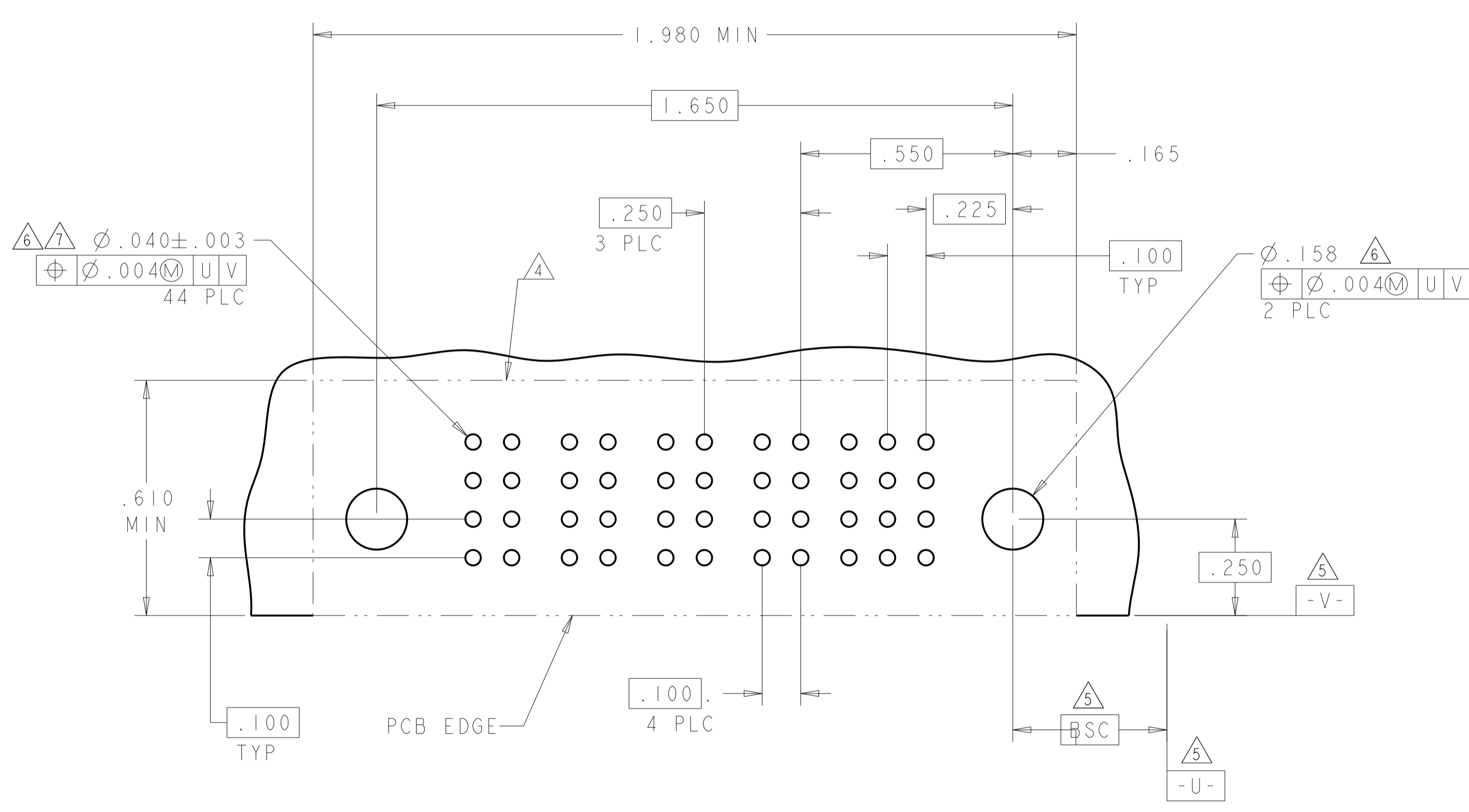
DIMENSIONS:	TOLERANCES UNLESS OTHERWISE SPECIFIED:	DWN: C. ZHOU 26FEB2009	CHK: S. ZHAO 26FEB2009	TE Connectivity RIGHT ANGLE RECEPTACLE ASSEMBLY WITH GUIDES, SOLDER TYPE MULTI-BEAM XL
INCHES	0 PLC ± 2 PLC ±.01 3 PLC ±.005 4 PLC ±.0020	APVD: S. ZHAO	NAME: S. ZHAO	
		PRODUCT SPEC: 108-1973	APPLICATION SPEC: 114-13038	SIZE: A
MATERIAL: -	FINISH: -	WEIGHT: -	Customer Drawing	RESTRICTED TO: -
			SCALE: 4:1	SHEET: 3 OF 4
			REV: A7	

Customer Drawing

LOC	DIST	REVISIONS			
ES	00	REV	DATE	BY	APPV
		1	SEE SHEET 1		

PART NUMBER	ROWS	POWER				SIGNAL		
		P4	P3	P2	P1	3	2	1
6450361-5	D C B A	RM	RM	RM	RM	H	H	H
						G	G	G
						F	F	F
						E	E	E
12S + 4P								

PART NUMBER	ROWS	SIGNAL														
		14	13	12	11	10	9	8	7	6	5	4	3	2	1	
6450361-6	D C B A	H	H					H	H	H	H	H	H	H	H	H
								G	G	G	G	G	G	G	G	G
								F	F	F	F	F	F	F	F	F
								E	E	E	E	E	E	E	E	E
56S																



THIS DRAWING IS A CONTROLLED DOCUMENT.		OWN: C. ZHOU 26FEB2009	STE TE Connectivity
DIMENSIONS: INCHES		CHK: S. ZHAO 26FEB2009	
TOLERANCES UNLESS OTHERWISE SPECIFIED:		APV: S. ZHAO	NAME: RIGHT ANGLE RECEPTACLE ASSEMBLY WITH GUIDES, SOLDER TYPE MULTI-BEAM XL
0 PLC ±.01		PRODUCT SPEC: 108-1973	SIZE: 114-13038
1 PLC ±.01		APPLICATION SPEC: 114-13038	WEIGHT: -
2 PLC ±.01		APV: S. ZHAO	RESTRICTED TO: -
3 PLC ±.01		Customer Drawing	SCALE: 4:1 SHEET 4 OF 4 REV: A7
4 PLC ±.002			
ANGLES: ±.020			
FINISH: -			