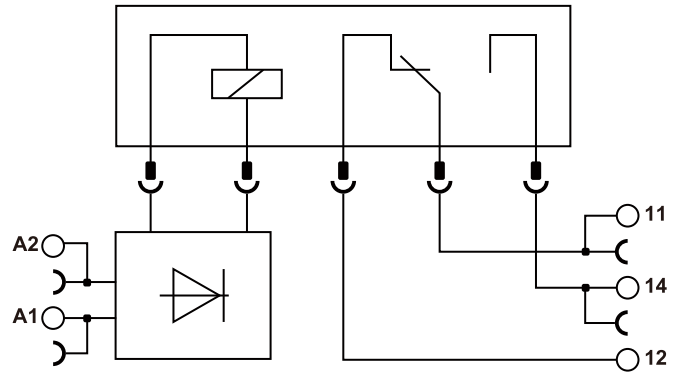
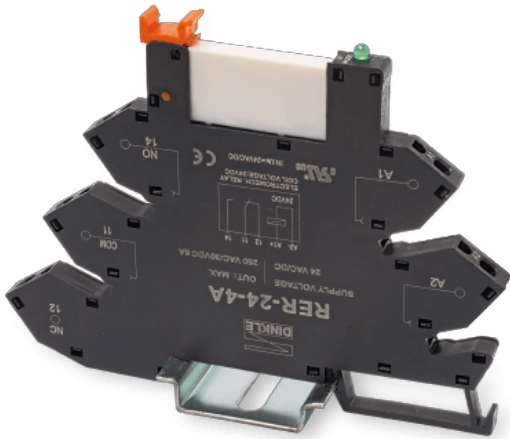


# RER-24-4A

Electronics & Interface > Slim Relay



The web catalog is for reference only. Dinkle remains the right of product modification and engineering change of the design. The final product is made according to engineering drawing.

## Specification

| Coil                       |  |
|----------------------------|--|
| Norminal input voltage     | 24VAC / VDC  |
| Norminal input current     | 11.1mA   |
| Typical response time      | ≤8ms   |
| Typical release time       | ≤4ms   |
| Protective circuit         | Bridge rectifier<br>Surge protection                             |
| Indicator                  | Green LED  |
| Contact                    |  |
| Contact type               | 1C   |
| Contact material           | AgNi   |
| Contact rating (Res. load) | 6V , 250VAC / 30VDC  |
| Max. switching voltage     | 400VAC / 125VDC  |
| Max. switching current     | 6A   |
| Contact resistance         | ≤100mΩ (1A, 6VDC)  |
| Mechanical endurance       | 1 x 10 <sup>7</sup> cycles                                       |
| Electrical endurance       | 3 x 10 <sup>4</sup> cycles, NO<br>1 x 10 <sup>4</sup> cycles, NC |
| General                    |  |

|  |                 |                                     |
|--|-----------------|-------------------------------------|
| Dielectric strength                        | Coil & contacts | 4000VAC / 1min                      |
|  | Open contacts   | 1000VAC / 1min                      |
| Ambient temperature                        |                 | -40°C ~ 85°C                        |
| Ambient humidity                           |                 | 5% ~ 85% RH                         |
| Shock resistance                           | Functional      | 49m/s <sup>2</sup>                  |
|  | Destructive     | 980m/s <sup>2</sup>                 |
| Vibration resistance                       |                 | 10Hz ~ 55Hz 1mm<br>(dual amplitude) |
| T x W x H                                  | (mm)            | 6.2 x 103 x 78.8                    |
| Weight                                     |                 | 30g                                 |
| Solid/Stranded wire (AWG/mm <sup>2</sup> ) |                 | 20-16 / 0.5-1.5                     |
| Connection method                          |                 | Spring clamp                        |
| Screw torque                               |                 | -                                   |

#### Accessories Part No.

|                |                  |
|----------------|------------------|
| Plug-in bridge | 0149-4S-20       |
| DIN Rail       | TS-35   TS-35/15 |
| Tool           | 0.4x2.5 mm       |
| End bracket    | SS4N             |
| Relay          | RER-H1C-D24      |

#### Approvals

