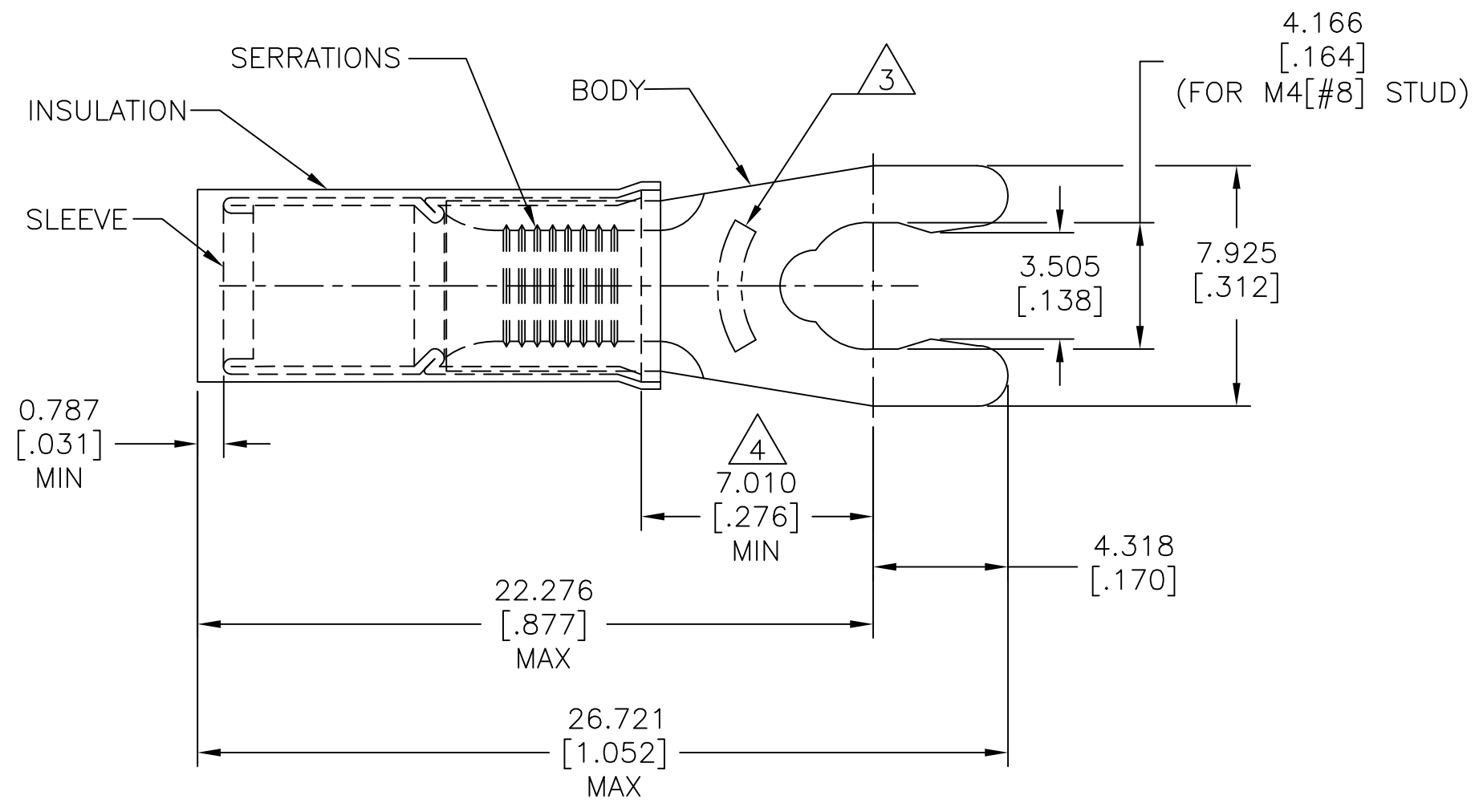


P	LTR	DESCRIPTION	DATE	DWN	APVD
	C	REV PER ECR 10-005107	08MAR10	JR	TM
	C1	REVISED PER ECO-17-007400	27NOV2017	RS	DR



AMP WIRE RANGE	Listed FILE E13288
12-10 AWG SOLID OR STRANDED	12-10 AWG SOLID OR STRANDED

- 1 FOR $\phi 3.810-6.350[\phi .150-.250]$ WIRE INSULATION.
- 2 BODY MATERIAL THK IS 0.991 ± 0.051 $[\pm .039]$
- 3 STAMP "8S AMP 12-10*", LOCATED APPROX AS SHOWN.
- 4 APPLIES FROM EDGE OF METAL WIRE BARREL TO CENTER OF STUD HOLE.
- 5 MATERIAL:
 BODY: PHOSPHOR BRONZE PER ASTM B103
 SLEEVE: COPPER (ASTM B-152)
 INSULATION: NYLON.
- 6 FINISH:
 BODY & SLEEVE: TIN PLATE PER ASTM B545
 INSULATION: COLOR-YELLOW.

500	LOOSE PIECE	696072-1
QTY	DESCRIPTION	PART NO.

AMP INCORPORATED CUSTOMER SERVICE SYSTEMS		MAX RECOMMENDED OPERATING TEMPERATURE: 105°C[221°F]	THIS DRAWING IS A CONTROLLED DOCUMENT.		DWN JR RUTH 12/17/98	TE Connectivity				
FOR ADDITIONAL PRODUCT INFORMATION OR COPIES OF DRAWINGS AND TECHNICAL DOCUMENTS	PRODUCT INFORMATION CENTER 1-800-522-6752	VOLTAGE RATING: 300 V MAX	DIMENSIONS: mm [INCHES]	TOLERANCES UNLESS OTHERWISE SPECIFIED:	CHK MS FEHER 12/17/98					NAME J TALLEY
FOR APPLICATION TOOLING INFORMATION	TOOLING ASSISTANCE CENTER 1-800-722-1111	WIRE CROSS SECTIONAL AREA RANGE: 2.62-6.64mm ² [5,180-13,100] SOLID OR STRANDED		0 PLC ± - 1 PLC ± - 2 PLC ± - 3 PLC ± 0.127[.005] 4 PLC ± - ± -	APVD J TALLEY 12/17/98	PRODUCT SPEC UL 486 A-B				
FOR ORDER ENTRY	1-800-526-5142	THIS DRAWING IS A CONTROLLED DOCUMENT FOR AMP INCORPORATED. IT IS SUBJECT TO CHANGE AND THE CONTROLLING ENGINEERING ORGANIZATION SHOULD BE CONTACTED FOR THE LATEST REVISION.	MATERIAL 5	FINISH 6	APPLICATION SPEC 114-2157	SIZE A3	CAGE CODE 00779	DRAWING NO C=696072	RESTRICTED TO -	
					WEIGHT -	CUSTOMER DRAWING		SCALE 5:1	SHEET 1 OF 1	REV C1